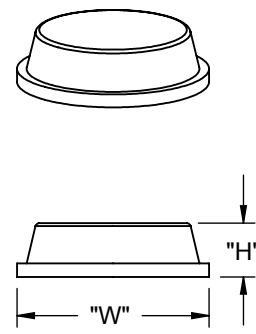
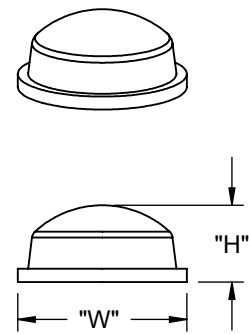


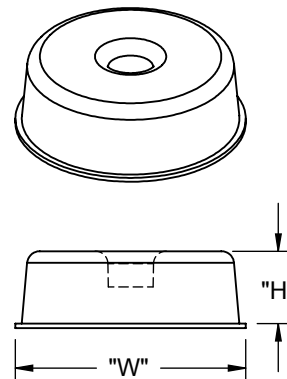
TYPE 1.



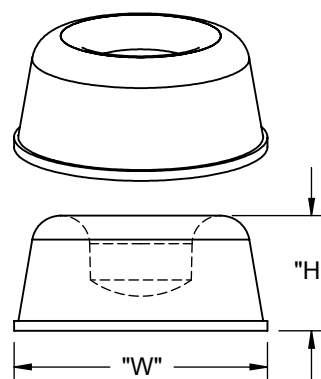
TYPE 2.



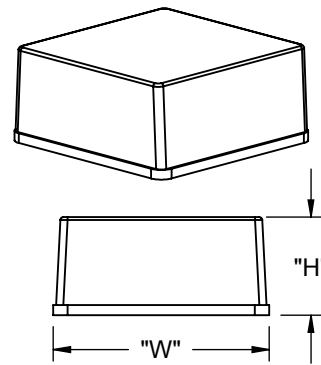
TYPE 3.



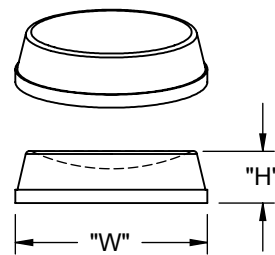
TYPE 4.



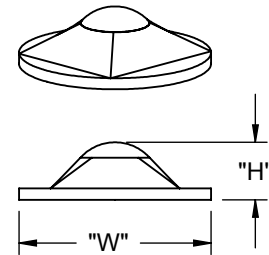
TYPE 5.



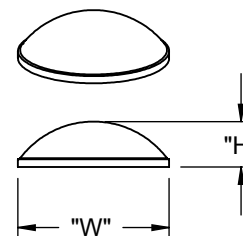
TYPE 6.



TYPE 7.



TYPE 8.



TYPE 9.

PART NO.	DIA. (OR "W") ±.020 [±0.5]	HEIGHT "H" ±.020 [±0.5]	6 X 12 MATRIX KISS CUT PAD PCS/PAD	TYPE	QTY. CTN
RBS-3R	.50 [12.7]	.23 [5.8]	200	1 (PYRAMID)	5000
RBS-19	.81 [20.5]	.30 [7.6]	98		2646
RBS-20	.40 [10.2]	.10 [2.5]	242		5082
RBS-29	.78 [19.8]	.25 [6.4]	98		2940
RBS-32R		.12 [3.1]			5000
RBS-1	.50 [12.7]	.14 [3.5]	200	2 (CYLINDRICAL)	5000
RBS-5		.06 [1.6]			5000
RBS-6		.25 [6.3]			5000
RBS-11	.65 [16.5]	.40 [10.2]	128		2560
RBS-24	.81 [20.5]	.12 [3.1]	72		2520
RBS-34	.37 [9.5]		300	6000	
RBS-35		.19 [4.8]	200	5000	
RBS-41	.78 [20.0]	.20 [5.1]	84	3360	
RBS-44	.75 [19.1]	.16 [4.1]	98	2450	
RBS-72	1.24 [31.5]	.10 [2.5]	32	2400	
RBS-2	.44 [11.1]	.20 [5.1]	242	3 (DOMES)	5082
RBS-8	.70 [17.6]	.38 [9.6]	98		2254
RBS-15	.62 [16.0]	.31 [7.9]	128		3200
RBS-22	.38 [9.6]	.21 [5.4]	300		6000
RBS-27	.31 [7.9]	.08 [2.2]	450		5400
RBS-37	.72 [18.3]	.56 [14.2]	100 SEPARATE PARTS	1500	
RBS-39	.75 [19.1]	.07 [1.9]	84	5040	
RBS-40	.25 [6.4]	.06 [1.6]	578	15028	
RBS-30	1.8 [45.7]	.60 [15.8]	100 SEPARATE PARTS	4 (ROUND)	500
RBS-17	.88 [22.3]	.40 [10.1]	72	5 (ROUND)	1440
RBS-4	.78 [19.8]	.38 [9.7]	100 SEPARATE PARTS	6 (SQUARE)	5600
RBS-36	1.00 [25.4]	.18 [4.7]	55		2310
RBS-18	.50 [12.7]	.14 [3.5]	200	7 (ROUND)	5000
RBS-33-SD		.15 [3.8]		8 (ROUND-PYRAMID)	5000
RBS-7	.335 [8.6]	.085 [2.2]	450	9 (HEMISPHERE)	5400
RBS-10	.39 [10]	.12 [3]	288		7200
RBS-12	.38 [9.6]	.15 [3.8]	72		

NOTES:  
 1. MATERIAL: POLYURETHANE (RMS-64), 60-70 DUROMETER, SHORE A.  
 2. STANDARD COLOR: CLEAR AND BLACK: TO ORDER BLACK ADD "-BK" TO PART NO. BROWN "-BN", WHITE "-WH", OR GRAY "-GY" AVAILABLE BY SPECIAL ORDER ONLY. PART NO. RBS-33-SD AND RBS-10 AVAILABLE IN CLEAR ONLY.  
 3. ADHESIVE: RUBBER (RMS-68).  
 4. LIGHTER BUMPER COLORS MAY SHOW SOME DARKENING OR YELLOWING WHEN NOT STORED IN ORIGINAL UNOPENED CARTON.  
 \*NON STAINING, NON MARRING.  
 \*CRACK RESISTANT.

Z -11 TO .65" & RE-ADDED CHART HEADINGS, ECN #1428		DZ 01/27/2017	TITLE: RICHCO BUMPERS				UNITS: INCH[mm]		FINAL	
Y CHANGED RBS-12 TYPE TO 9, ECN # 1420		DZ 03/23/2016	FILE #: RBS		DWN: SM	APP: DJZ		PART #		
X SEE CO 200507 FOR CHANGES		SK 03/08/2010	SHEET: 1 OF 1		SHEET SIZE: B	DT: 08/12/04	CHKD: RG	SEE TABLE		
W SEE CO 200500 FOR CHANGES		SK 02/22/2010	RE: RICHCO, INC.		ESSENTRA COMPONENTS		PRINT TYPE		CA	
- SEE ENGINEERING FOR REV. A-V		-	TOLERANCES UNLESS NOTED .XX±.010 .XXX±.005 FRAC. = ±1/64 ANG. = ±1°		ESSENTRA COMPONENTS		PART #		CA	
REV. DESCRIPTION		ENGR. DATE								

## **X-ON Electronics**

Largest Supplier of Electrical and Electronic Components

*Click to view similar products for [Mounting Fixings](#) category:*

*Click to view products by [ESSENTRA](#) manufacturer:*

Other Similar products are found below :

[007310](#) [007541](#) [6-141-P](#) [620HA038NF09](#) [620HA038NF11](#) [71-074914-006](#) [71-146610-6H](#) [712HA170B23128-N](#) [75-69116-8S](#) [75-69211-3P](#)  
[75-69224-28P](#) [75-69224-5S](#) [770-006A109](#) [770-006A109R](#) [770-006A207](#) [770-006A208W1](#) [770-006A209](#) [770-006A306](#) [770-006A703W1](#)  
[770-006A704](#) [770-006A704W1](#) [770-006A705](#) [770-006A706](#) [770-006A706W1](#) [770-006A707](#) [770-006A709](#) [770-007A203](#) [770-007A203W1](#)  
[770-007A204W1](#) [770-007A207W1](#) [770-007A703](#) [770-007A704W1](#) [770-007A706](#) [770-007A707W1](#) [770-010Y208](#) [770-010Y308](#) [770-](#)  
[010Y705](#) [770-010Y706](#) [770-010Y707W1](#) [770-011T201](#) [770-011T203](#) [770-011T701W1](#) [770-011T702](#) [770-011T702W1](#) [770-011T703](#) [770-](#)  
[013311](#) [770-013312](#) [770-013709](#) [770-013711](#) [770-013711W1](#)