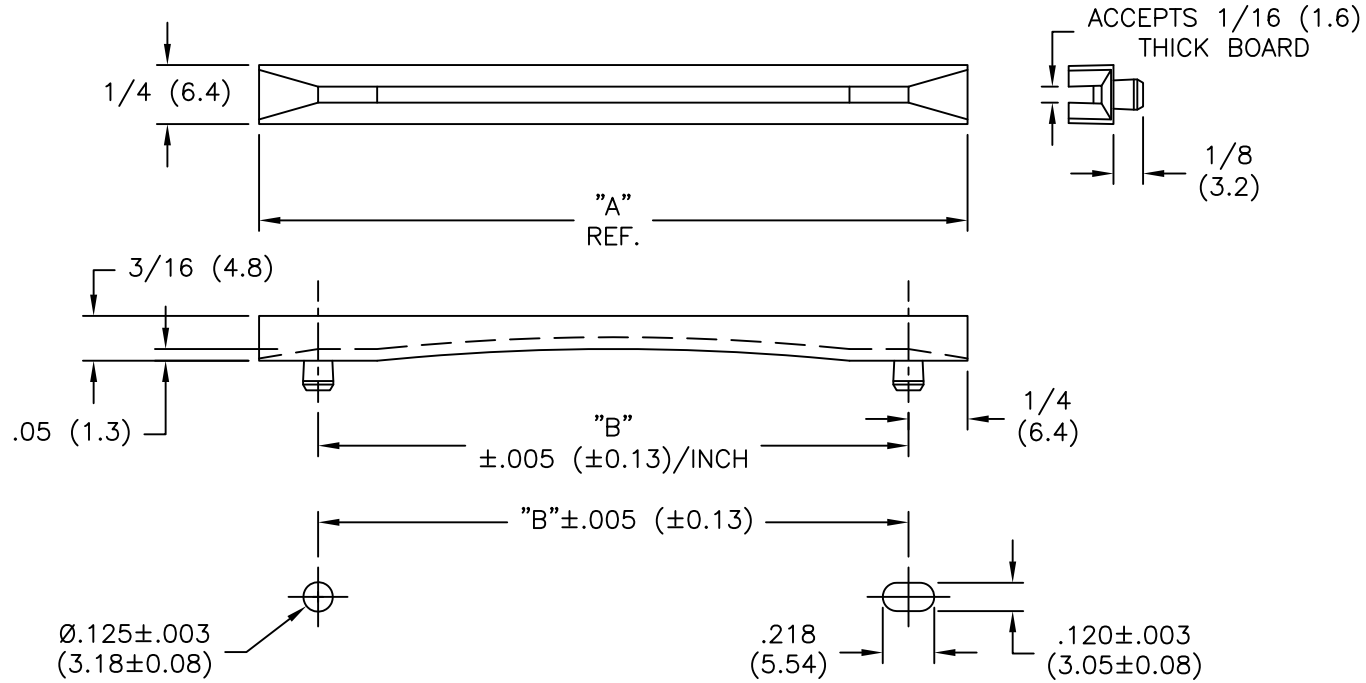


PART NO.	DIM. "A"	DIM. "B"
RCG-1	3.0 (76.2)	2.5 (63.5)
RCG-2	4.0 (101.6)	3.5 (88.9)
RCG-3	6.0 (152.4)	5.5 (139.7)
RCG-4	8.5 (215.9)	8.0 (203.2)



RECOMMENDED MOUNTING HOLES  
IN  $1/16"$  (1.6) NOMINAL THICK PANEL

NOTES:

- MATERIAL: NYLON 6/6 UL94 V-2 (RMS-01)  
-NYLON 6/6 UL94 V-0 (RMS-19).  
AVAILABLE BY SPECIAL ORDER ONLY.
- COLOR: NATURAL.
- ALTERNATE UNITS FOR REFERENCE ONLY.

TITLE: RACK CARD GUIDES			DWG IN IN(MM)		FINAL		
D	SEE CO 200471 FOR CHANGES	SK 12.01.09	FILE # RCG	DWN: J.B.	APP:	PART #	PRINT TYPE
C	SEE ECN #831 FOR CHANGES	SM 08.09.04	MAT'L: SEE NOTES	DT: 12-05-95	DT:		
B	CHANGED DIM. "B" FROM FRAC. TO DEC.	SM 02.05.02	RE: RICHCO, INC.	RICHCO INC. PO BOX 804238, CHICAGO, 60680 (773) 539-4060		SEE TABLE	CA
A	CHANGED FILE NUMBER	SM 05.11.01	TOLERANCES UNLESS NOTED .XX= $\pm .010$ .XXX= $\pm .005$ FRAC=1/64 ANG=1°				
REV	DESCRIPTION	ENGR DATE					

## X-ON Electronics

Largest Supplier of Electrical and Electronic Components

*Click to view similar products for [Racks & Rack Cabinet Accessories](#) category:*

*Click to view products by [ESSENTRA](#) manufacturer:*

Other Similar products are found below :

[M00-PLN](#) [F2424](#) [8351-832-A-24](#) [9104](#) [9105](#) [PLFF2000](#) [H-9163-B](#) [1427C3](#) [HTS10](#) [PC-79](#) [SC10-3A](#) [SC4-28](#) [CG3-340S/12](#) [CP-001BK](#)  
[M6123-4007-SS](#) [TS170](#) [LP40](#) [5261304-07](#) [CG3-160G](#) [7112C-PLN](#) [ALUM](#) [CM10](#) [8610-3124-S-26](#) [TS81](#) [7142](#) [GP134](#) [M6125-4007-A-24](#)  
[M6127-4007-SS](#) [PBCOVER](#) [512](#) [AEG-4000G](#) [AEG-3000G](#) [HD99](#) [SR2-66A2](#) [FP10B4HP-1](#) [SR16-66A2](#) [FP52-2](#) [1406-1006-01](#) [29478](#)  
[TS2535](#) [TS169-6](#) [CAC2](#) [HA19-3U](#) [BR-19-10-1](#) [TS180](#) [CG3-ESD](#) [SC11-1](#) [CFS-1.00/2.20](#) [HEC0800PB](#) [ZC633R](#) [140PLN](#)