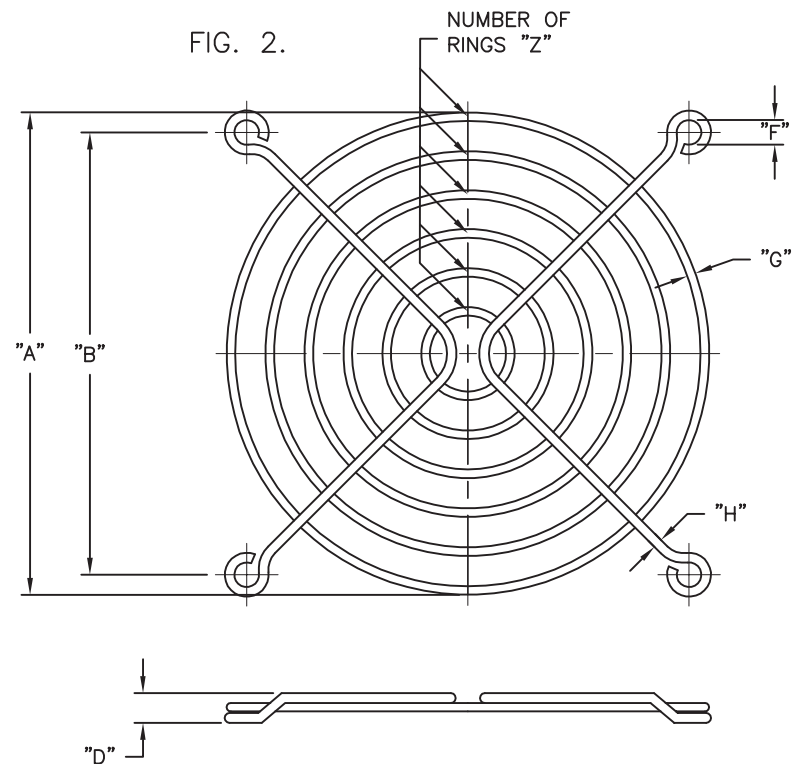
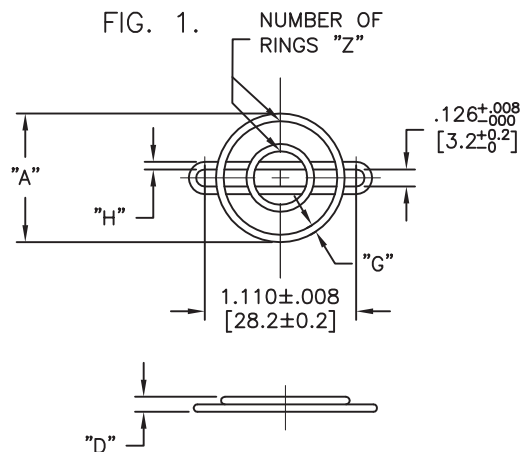


PART NUMBER	"A" ±.03 [0.8]	"B" ±.03 [0.8]	"D" ±.03 [0.8]	"F" ±.03 [0.8]	"G" REF.	"H" REF.	"Z"	FIG. NO.
RCOFM-25	.94 [24]	---	.09 [2.2]	---	.055 [1.4]	.055 [1.4]	2	1
RCOFM-40	1.15 [29.1]	1.26 [32.0]	.19 [4.8]	.16 [4.0]	.06 [1.6]	.06 [1.6]	2	2
RCOFM-50	1.65 [42.0]	1.62 [41.1]	.19 [4.8]	.18 [4.6]			3	
RCOFM-60	2.09 [53.2]	1.97 [50.0]	.17 [4.4]	.18 [4.6]	4			
RCOFM-80	3.00 [76.2]	2.81 [71.5]	.19 [4.9]	.20 [5.2]	.07 [1.8]	5		
RCOFM-92	3.54 [90.0]	3.25 [82.5]	.22 [5.5]	.18 [4.6]	.06 [1.6]	.07 [1.8]	6	
RCOFM-120	4.55 [115.6]	4.16 [104.8]			.07 [1.8]	8		



NOTES

1. MATERIAL: STEEL WIRE ELECTROPLATED (RMS-261).
2. PLATING: NICKEL CHROME (RMS-229)

F REMOVED C & E DIMENSIONS, ECN # 1400 DZ 01.21.15			TITLE: METAL FAN GUARD			DWG IN IN [MM]				
E SEE CO 200247 FOR CHANGES SK 09.23.08			FILE # RCOFM		DWN: R.D.G.		DT: 11/11/04		FINAL	
D SEE ECN # 1266 FOR CHANGES SK 12.14.06			MAT'L: SEE NOTES		CHKD: SK		ENGR: RDG		PART #	
C SEE ECN # 1159 FOR CHANGES SJ 05.02.06			RE: RICHCO, INC.		RICHCO INC.		PO BOX 804238, CHICAGO, 60680		SEE TABLE	
B SEE ECN # 1054 FOR CHANGES SK 09.09.05					(773) 539-4060				PRINT TYPE	
A RELEASED FOR PRODUCTION SK 03.17.05									CA	
REV DESCRIPTION ENGR DATE										

## X-ON Electronics

Largest Supplier of Electrical and Electronic Components

*Click to view similar products for [Fan Accessories](#) category:*

*Click to view products by [ESSENTRA](#) manufacturer:*

Other Similar products are found below :

[LZ31](#) [LZ32P-1](#) [63070-2-4013](#) [64442-1-7612](#) [71882-2-4053](#) [73816-2-3634](#) [95778-1-5171](#) [99485901](#) [1247-4-6254](#) [RF119](#) [2151-4-7320](#)  
[27453.32262](#) [95779-1-5171](#) [9614-2-4013](#) [99485906](#) [F92-B](#) [2170-4-7320](#) [27453.32241](#) [R88ACPU001M1](#) [R88ACPU001M2](#) [31570-2-4013](#)  
[LZ215](#) [LZ22-2](#) [LZ24-1](#) [LZ24B](#) [LZ30-9](#) [LZ37-2](#) [450-20-0025](#) [525-00-0009](#) [420-05-0276](#) [450-20-0017](#) [450-20-0020](#) [04.846.1353.0](#)  
[04.846.1453.0](#) [055032](#) [08121](#) [08188](#) [08195](#) [08196](#) [09576-2-4013](#) [54476-2-4013](#) [71883-2-4053](#) [52545-2-4037](#) [63071-2-4013](#) [52544-2-4037](#)  
[64445-1-7612](#) [66786-4-7320](#) [88601-2-2929](#) [08164](#) [4013-2-4039](#)