

PART NO.	"A" REF.	MAX. BUNDLE DIA. "B"	TO BE USED WITH	FIGURE NO.
CAT-05-PP-BL	2.09 (53)	.24 (6)	SHR-05-YYY*	2
CAT-08-PP	2.80 (71)	.37 (9.5)	SHR-08-YYY*	1
CAT-15-PP	3.19 (81)	.63 (16)	SHR-15-YYY*	
CAT-20-PP	3.94 (100)	.79 (20)	SHR-20-YYY*	
CAT-25-PP	4.45 (113)	.96 (24.5)	SHR-25-YYY*	
CAT-32-PP	5.67 (144)	1.22 (31)	SHR-32-YYY*	

*YYY-SHR MATERIAL

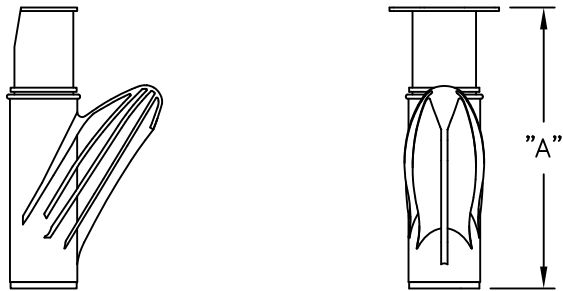
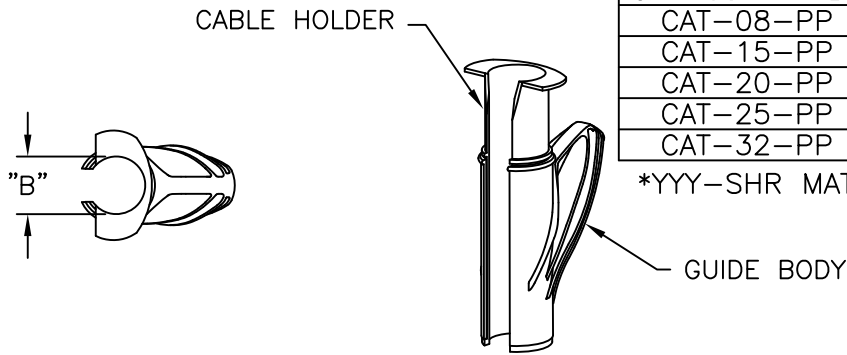


FIGURE 1.
MATERIAL: A) GUIDE BODY: -POLYPROPYLENE (RMS-268); COLOR: ORANGE.
B) CABLE HOLDER - POLYACETAL (RMS-267), COLOR: WHITE

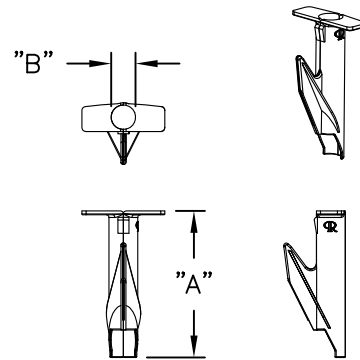


FIGURE 2.
MATERIAL: POLYPROPYLENE (RMS-150); COLOR: BLUE.

NOTES:

- FIGURE 1. TOOL AVAILABLE IN BULK PACKAGES OF 100/BOX. TO ORDER ADD "-BU" TO THE PART NO.
- CAT-20, "-25" AND "-32" AVAILABLE IN GLASS FILLED NYLON (RMS-253) FOR HEAVY DUTY APPLICATION. TO ORDER, REPLACE "-PP" WITH "-IX"; COLOR: BLUE.

TITLE: CABLE APPLICATOR TOOL			DWG IN IN (MM)		FINAL	
D	SEE CO 200297 FOR CHANGES	SK 12.16.08	FILE #	CAT	DWN: SM	APP:
C	SEE CO 200219 FOR CHANGES	SK 07.21.08	MAT'L:	SEE NOTES	DT: 03.01.02	DT:
B	SEE ECN #1319 FOR CHANGES	SK 04.19.07	RE:	RICHCO, INC.	RICHCO INC. PO BOX 804238, CHICAGO, 60680 (773) 539-4060	
A	REDRAWN FROM RICHCO UK	SM 03.01.02			PART #	PRINT TYPE
REV	DESCRIPTION	ENGR DATE			SEE TABLE	CA

X-ON Electronics

Largest Supplier of Electrical and Electronic Components

Click to view similar products for [Control Switches](#) category:

Click to view products by [ESSENTRA](#) manufacturer:

Other Similar products are found below :

[80887-99](#) [80932-99](#) [86855-00](#) [88814-30](#) [1424293-1](#) [HW4S-2TC10](#) [89721-12](#) [89804-08](#) [SSN](#) [RL01801](#) [ASD2L20N-LVO](#) [50051857-17](#)
[50099156-001-05](#) [51.155R-15200](#) [50058920-26](#) [CP-FA51](#) [CP-FA49](#) [ACCU-SC/L-3000](#) [PP9M](#) [PP87G](#) [PP86GA](#) [PP71G](#) [PP70G](#) [PP6G](#)
[PP62G](#) [PP58BL](#) [PP56G](#) [PP86GB](#) [PP77GA](#) [PP76G](#) [PP4M](#) [PP47G](#) [PP46G](#) [PP41M](#) [PP40G](#) [PP32G](#) [RD-20](#) [PP23M](#) [PP12G](#) [PORTAPRO](#)
[POM-2708](#) [PNB-2005](#) [3057.0012](#) [CV-075](#) [CV-140SB](#) [CV-150](#) [CV-150S](#) [214X20XK](#) [CV-180](#) [CV-200MB](#)