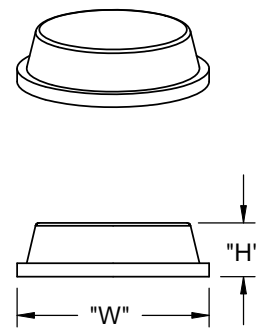
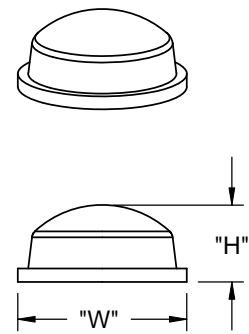


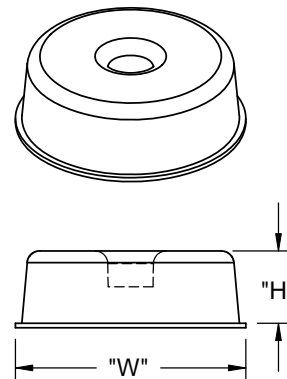
TYPE 1.



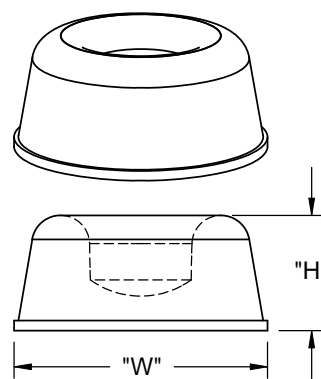
TYPE 2.



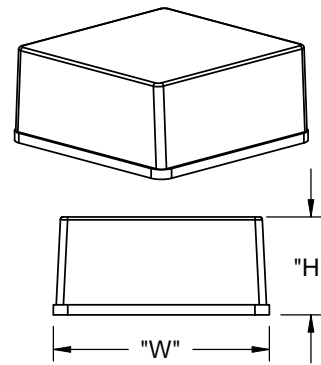
TYPE 3.



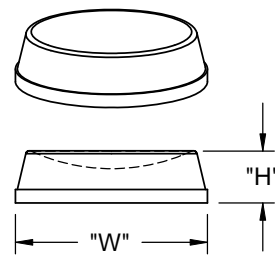
TYPE 4.



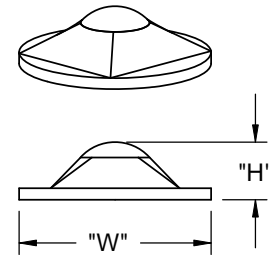
TYPE 5.



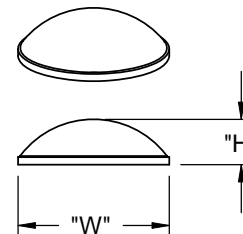
TYPE 6.



TYPE 7.



TYPE 8.



TYPE 9.

| PART NO.  | DIA. (OR "W")<br>±.020 [±0.5] | HEIGHT "H"<br>±.020 [±0.5] | 6 X 12 MATRIX<br>KISS CUT PAD<br>PCS/PAD | TYPE              | QTY. CTN  |
|-----------|-------------------------------|----------------------------|--|-------------------|-----------|
| RBS-3R    | .50 [12.7]                    | .23 [5.8]                  | 200                                      | 1 (PYRAMID)       | 5000      |
| RBS-19    | .81 [20.5]                    | .30 [7.6]                  | 98                                       |                   | 2646      |
| RBS-20    | .40 [10.2]                    | .10 [2.5]                  | 242                                      |                   | 5082      |
| RBS-29    | .78 [19.8]                    | .25 [6.4]                  | 98                                       |                   | 2940      |
| RBS-32R   |                               | .12 [3.1]                  |  |                   | 5000      |
| RBS-1     | .50 [12.7]                    | .14 [3.5]                  | 200                                      | 2 (CYLINDRICAL)   | 5000      |
| RBS-5     |                               | .06 [1.6]                  |  |                   | 5000      |
| RBS-6     |                               | .25 [6.3]                  |  |                   | 5000      |
| RBS-11    | .62 [15.9]                    | .40 [10.1]                 | 128                                      |                   | 2560      |
| RBS-24    | .81 [20.5]                    | .12 [3.1]                  | 72                                       |                   | 2520      |
| RBS-34    | .37 [9.5]                     |                            | 300                                      |                   | 6000      |
| RBS-35    |                               | .19 [4.8]                  | 200                                      |                   | 5000      |
| RBS-41    | .78 [20.0]                    | .20 [5.1]                  | 84                                       |                   | 3360      |
| RBS-44    | .75 [19.1]                    | .16 [4.1]                  | 98                                       |                   | 2450      |
| RBS-72    | 1.24 [31.5]                   | .10 [2.5]                  | 32                                       |                   | 2400      |
| RBS-2     | .44 [11.1]                    | .20 [5.1]                  | 242                                      | 3 (DOMES)         | 5082      |
| RBS-8     | .70 [17.6]                    | .38 [9.6]                  | 98                                       |                   | 2254      |
| RBS-12    | .38 [9.6]                     | .15 [3.8]                  | 72                                       |                   | 7200      |
| RBS-15    | .62 [16.0]                    | .31 [7.9]                  | 128                                      |                   | 3200      |
| RBS-22    | .38 [9.6]                     | .21 [5.4]                  | 300                                      |                   | 6000      |
| RBS-27    | .31 [7.9]                     | .08 [2.2]                  | 450                                      |                   | 5400      |
| RBS-37    | .72 [18.3]                    | .56 [14.2]                 | 100 SEPARATE PARTS                       |                   | 1500      |
| RBS-39    | .75 [19.1]                    | .07 [1.9]                  | 84                                       |                   | 5040      |
| RBS-40    | .25 [6.4]                     | .06 [1.6]                  | 578                                      |                   | 15028     |
| RBS-30    | 1.8 [45.7]                    | .60 [15.8]                 | 100 SEPARATE PARTS                       |                   | 4 (ROUND) |
| RBS-17    | .88 [22.3]                    | .40 [10.1]                 | 72                                       | 5 (ROUND)         | 1440      |
| RBS-4     | .78 [19.8]                    | .38 [9.7]                  | 100 SEPARATE PARTS                       | 6 (SQUARE)        | 5600      |
| RBS-36    | 1.00 [25.4]                   | .18 [4.7]                  | 55                                       |                   | 2310      |
| RBS-18    | .50 [12.7]                    | .14 [3.5]                  | 200                                      | 7 (ROUND)         | 5000      |
| RBS-33-SD |                               | .15 [3.8]                  |  | 8 (ROUND-PYRAMID) | 5000      |
| RBS-7     | .335 [8.6]                    | .085 [2.2]                 | 450                                      | 9 (DOMES)         | 5400      |
| RBS-10    | .39 [10]                      | .12 [3]                    | 288                                      |                   | 7200      |

- NOTES:  
 1. MATERIAL: POLYURETHANE (RMS-64), 60-70 DUROMETER, SHORE A.  
 2. STANDARD COLOR: CLEAR AND BLACK: TO ORDER BLACK ADD "-BK" TO PART NO. BROWN "-BN", WHITE "-WH", OR GRAY "-GY" AVAILABLE BY SPECIAL ORDER ONLY. PART NO. RBS-33-SD AND RBS-10 AVAILABLE IN CLEAR ONLY.  
 3. ADHESIVE: RUBBER (RMS-68).  
 4. LIGHTER BUMPER COLORS MAY SHOW SOME DARKENING OR YELLOWING WHEN NOT STORED IN ORIGINAL UNOPENED CARTON.  
 \*NON STAINING, NON MARRING.  
 \*CRACK RESISTANT.

| REV. | DESCRIPTION                  | ENGR. | DATE     |
|------|------------------------------|-------|----------|
| X    | SEE CO 200507 FOR CHANGES    | SK    | 03/08/10 |
| W    | SEE CO 200500 FOR CHANGES    | SK    | 02/22/10 |
| -    | SEE ENGINEERING FOR REV. A-V | -     | ----     |

|   |               |               |   |                |           |       |            |
|---|---------------|---------------|---|----------------|-----------|-------|------------|
| TITLE: <b>RICHCO BUMBERS</b>  |               |               |   | DWG IN IN [MM] |           | FINAL |            |
| CREATED USING SOLIDWORKS  | FILE #: RBS   | DWN: SM       | APP: DJZ  | PART #         |           |       |            |
| TOLERANCES UNLESS NOTED<br>.XX=±.010<br>.XXX=±.005<br>FRAC.=±1/64<br>ANG.=±1° | SHEET: 1 OF 1 | SHEET SIZE: B | DT: 08/12/04  | CHKD: RG       | SEE TABLE |       | PRINT TYPE |
| RE: <b>RICHCO, INC.</b>   |               |               | <b>RICHCO, INC.</b><br>ENG@RICHCO-INC.COM<br>(773) 539-4060 |                |           |       | <b>CA</b>  |

## **X-ON Electronics**

Largest Supplier of Electrical and Electronic Components

*Click to view similar products for [Control Switches](#) category:*

*Click to view products by [ESSENTRA](#) manufacturer:*

Other Similar products are found below :

[80887-99](#) [80932-99](#) [86855-00](#) [88814-30](#) [1424293-1](#) [HW4S-2TC10](#) [89721-12](#) [89804-08](#) [SSN](#) [RL01801](#) [ASD2L20N-LVO](#) [50051857-17](#)  
[50099156-001-05](#) [51.155R-15200](#) [50058920-26](#) [CP-FA51](#) [CP-FA49](#) [ACCU-SC/L-3000](#) [PP9M](#) [PP87G](#) [PP86GA](#) [PP71G](#) [PP70G](#) [PP6G](#)  
[PP62G](#) [PP58BL](#) [PP56G](#) [PP86GB](#) [PP77GA](#) [PP76G](#) [PP4M](#) [PP47G](#) [PP46G](#) [PP41M](#) [PP40G](#) [PP32G](#) [RD-20](#) [PP23M](#) [PP12G](#) [PORTAPRO](#)  
[POM-2708](#) [PNB-2005](#) [3057.0012](#) [CV-075](#) [CV-140SB](#) [CV-150](#) [CV-150S](#) [214X20XK](#) [CV-180](#) [CV-200MB](#)