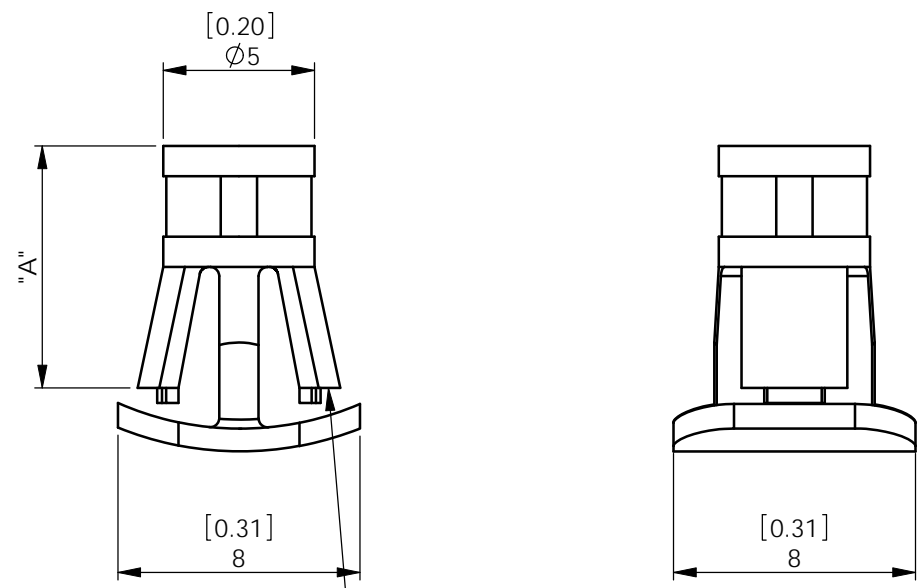


REV.	MODIFICATION.	DATE	DRN
A 01	Preliminary Drawing Production Release	09/09/08 15/09/08	MT MT



TO FIT IN A Ø5.5mm [0.22] HOLE,
0.5mm [0.02]-1.0mm [0.04] THICK PANEL.

MATL: NYLON 6/6 RMS-01* COLOUR: NATURAL	"A" STANDOFF HEIGHT
RLCBSB-5-01	5 [0.20]
RLCBSB-6-01	6 [0.24]
RLCBSB-8-01	8 [0.31]
RLCBSB-10-01	10 [0.39]
RLCBSB-12-01	12 [0.47]
RLCBSB-14-01	14 [0.55]
*AVAILABLE IN UL94 V0 BY SPECIAL ORDER. TO ORDER REPLACE -01 WITH -19.	

INFORMATION CONTAINED IN THIS DOCUMENT IS CONFIDENTIAL TO RICHCO INTERNATIONAL Co. Ltd. AND MAY NOT BE DISCLOSED OR REPRODUCED IN WHOLE OR PART WITHOUT THEIR WRITTEN CONSENT.

METRIC PRIMARY UNITS:mm
IMPERIAL SECONDARY UNITS:[inches]
GENERAL TOLERANCES ±0.25 [0.010]
UNLESS OTHERWISE STATED
1 DECIMAL PLACE ±
2 DECIMAL PLACES ±
ANGULAR ±1°

THIRD ANGLE

MATERIAL: NYLON 6/6 (RMS-01)		COLOUR: NATURAL	
DESCRIPTION: REVERSE LOCKING CIRCUIT BOARD SUPPORT		PART No: SEE TABLE	
DRG No: 08-090	NPR No: GB08-0058	Mass:(g) 0.2-0.4	SHEET SIZE A4
DRN MT	DATE 09/09/08	CHKD JK	DATE 15/09/08
SCALE NTS		SHEET No. 1 OF 1	

X-ON Electronics

Largest Supplier of Electrical and Electronic Components

Click to view similar products for [Standoffs & Spacers](#) category:

Click to view products by [Essentra](#) manufacturer:

Other Similar products are found below :

[588-6208-02](#) [M0513-25-N](#) [M0609-5-SS](#) [M0655-5-AL](#) [M0659-4-AL](#) [M0660-4-N](#) [M0671-5-N](#) [M0671-5-SS](#) [M0725-6-N](#) [M0731-4-N](#)
[M1273-3005-AL](#) [60187](#) [60202-SP](#) [60273](#) [60335-SP](#) [60348-SP](#) [60419-SP](#) [60425-SP](#) [60473-SP](#) [60475-SP](#) [60477-SP](#) [60489-SP](#) [60491-SP](#)
[60585-SP](#) [60762-SP](#) [60763-SP](#) [60872-SP](#) [M1313-3005-N](#) [M1314-3005-AL](#) [M1314-3005-SS](#) [M1314-3506-N](#) [M1315-4007-N](#) [M1316-3005-](#)
[N](#) [M1317-3506-SS](#) [M1318-3005-SS](#) [M1320-3005-AL](#) [M1321-3005-SS](#) [M1322-4007-N](#) [M1326-3005-AL](#) [M1577-B-4007-B](#) [M2122-2545-SS](#)
[M2145-4007-N](#) [M2148-3005-N](#) [M2157-4007-N](#) [M2162-3506-SS](#) [M2162-4007-N](#) [M2162-4007-SS](#) [632A-9206-17](#) [634A-5005-19](#) [634A-](#)
[7204-17](#)