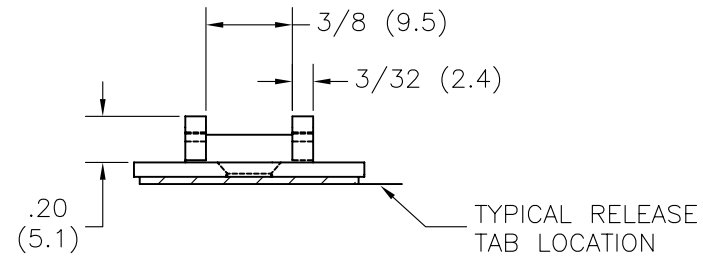
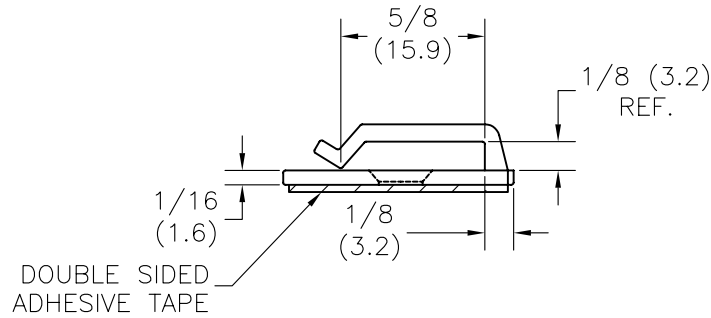
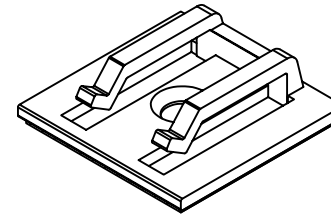
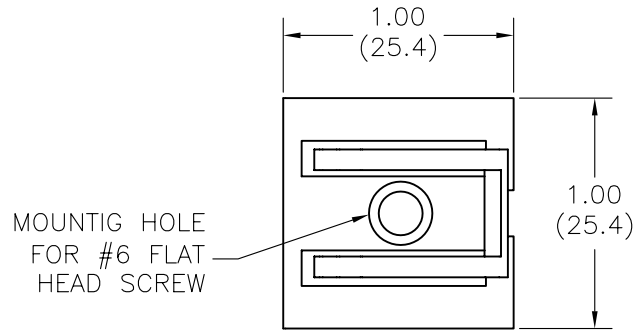


PART NO.	TAPE
SFCC-8-01	W/O ADHESIVE
SFCC-8-01A-RT	W/ADHESIVE



NOTES:

1. MATERIAL: NYLON 66 (RMS-01).
2. COLOR: NATURAL.
3. TAPE: DOUBLE SIDED ADHESIVE TAPE, 1/32 (0.8) THICK (RMS-15).

<table border="1"> <tr> <td>C</td> <td>CORRECTED METRIC DIMENSIONS</td> <td>SJ 03.06.02</td> </tr> <tr> <td>B</td> <td>COMPLETELY RE-DRAWN &amp; CHANGED FILE NO.</td> <td>SM 07.17.01</td> </tr> <tr> <td>A</td> <td>1/2 DIM. ADDED</td> <td>J.L 9.24.97</td> </tr> <tr> <td>REV</td> <td>DESCRIPTION</td> <td>ENGR DATE</td> </tr> </table>			C	CORRECTED METRIC DIMENSIONS	SJ 03.06.02	B	COMPLETELY RE-DRAWN & CHANGED FILE NO.	SM 07.17.01	A	1/2 DIM. ADDED	J.L 9.24.97	REV	DESCRIPTION	ENGR DATE	<table border="1"> <tr> <td>TOLERANCES UNLESS NOTED .XX=±.010 .XXX=±.005 FRAC=±1/64 ANG=±1°</td> <td>FILE # SFCC-8 MAT'L: SEE NOTES RE: RICHCO, INC.</td> <td>DWN: J.B DT: 09/25/95</td> <td>APP: DT:</td> <td> <table border="1"> <tr> <td>TITLE: SPLIT FLAT CABLE CLIP</td> <td>DWG IN IN (MM)</td> <td>FINAL</td> <td>QR</td> </tr> </table> </td> </tr> <tr> <td colspan="2"></td> <td colspan="2"> <table border="1"> <tr> <td>PART #</td> <td>PRINT TYPE</td> </tr> <tr> <td>SEE TABLE</td> <td>CA</td> </tr> </table> </td> </tr> </table>			TOLERANCES UNLESS NOTED .XX=±.010 .XXX=±.005 FRAC=±1/64 ANG=±1°	FILE # SFCC-8 MAT'L: SEE NOTES RE: RICHCO, INC.	DWN: J.B DT: 09/25/95	APP: DT:	<table border="1"> <tr> <td>TITLE: SPLIT FLAT CABLE CLIP</td> <td>DWG IN IN (MM)</td> <td>FINAL</td> <td>QR</td> </tr> </table>	TITLE: SPLIT FLAT CABLE CLIP	DWG IN IN (MM)	FINAL	QR			<table border="1"> <tr> <td>PART #</td> <td>PRINT TYPE</td> </tr> <tr> <td>SEE TABLE</td> <td>CA</td> </tr> </table>		PART #	PRINT TYPE	SEE TABLE	CA	<table border="1"> <tr> <td colspan="2">RICHCO INC. PO BOX 804238, CHICAGO, 60680 (773) 539-4060</td> </tr> </table>		RICHCO INC. PO BOX 804238, CHICAGO, 60680 (773) 539-4060	
C	CORRECTED METRIC DIMENSIONS	SJ 03.06.02																																				
B	COMPLETELY RE-DRAWN & CHANGED FILE NO.	SM 07.17.01																																				
A	1/2 DIM. ADDED	J.L 9.24.97																																				
REV	DESCRIPTION	ENGR DATE																																				
TOLERANCES UNLESS NOTED .XX=±.010 .XXX=±.005 FRAC=±1/64 ANG=±1°	FILE # SFCC-8 MAT'L: SEE NOTES RE: RICHCO, INC.	DWN: J.B DT: 09/25/95	APP: DT:	<table border="1"> <tr> <td>TITLE: SPLIT FLAT CABLE CLIP</td> <td>DWG IN IN (MM)</td> <td>FINAL</td> <td>QR</td> </tr> </table>	TITLE: SPLIT FLAT CABLE CLIP	DWG IN IN (MM)	FINAL	QR																														
TITLE: SPLIT FLAT CABLE CLIP	DWG IN IN (MM)	FINAL	QR																																			
		<table border="1"> <tr> <td>PART #</td> <td>PRINT TYPE</td> </tr> <tr> <td>SEE TABLE</td> <td>CA</td> </tr> </table>		PART #	PRINT TYPE	SEE TABLE	CA																															
PART #	PRINT TYPE																																					
SEE TABLE	CA																																					
RICHCO INC. PO BOX 804238, CHICAGO, 60680 (773) 539-4060																																						

## X-ON Electronics

Largest Supplier of Electrical and Electronic Components

*Click to view similar products for [Cable Mounting & Accessories](#) category:*

*Click to view products by [ESSENTRA](#) manufacturer:*

Other Similar products are found below :

[582603-1](#) [009333-000](#) [727844N003](#) [747](#) [809090N001](#) [843188-000](#) [8666](#) [967279N002](#) [DB-11](#) [1300840039](#) [1300900096](#) [1301800416](#)  
[1302264450](#) [1300830184](#) [1300830729](#) [1300900039](#) [1301580036](#) [1301850553](#) [1301860939](#) [1302000074](#) [1302261315](#) [1302264431](#)  
[1337706-2](#) [APA18-AK](#) [1724](#) [1-787307-1](#) [185491N001](#) [1868](#) [HP-6N](#) [C-202-C](#) [202C221-13-0](#) [CA7308-000](#) [8S23-75FR-CS8184](#) [2684](#) [9648](#)  
[3089](#) [988382-000](#) [A72821-000](#) [AA401](#) [173506-000](#) [1823](#) [202C292-13-0](#) [202C302-13-0](#) [2109](#) [300625](#) [3330](#) [3412](#) [356247-1](#) [M9142](#)  
[M9143](#)