

TO HOLD SHR-20 & SHR-25
SLIT HARNESS WRAP



SHR-C1



SHR-C2/SHR-C3



SHR-C4

REV	MODIFICATION	DATE	DRN
01	SALES DRAWING	31/05/07	I.C
02	ECN07-179	08/10/07	I.C
03	C.O. 2010075	28/02/08	I.C
04	C.O. 2010214	08/05/08	S.F
05	C.O. 2010227	13/05/08	S.F
06	C.O. 2010266	25/06/08	I.C
07	C.O. 2010427	07/10/08	S.F

NOTES:

- PARTS AVAILABLE IN SILVER AND WHITE BY SPECIAL ORDER.

RECOMMENDED ORIENTATION OF CLIP
WHEN MOUNTED HORIZONTALLY

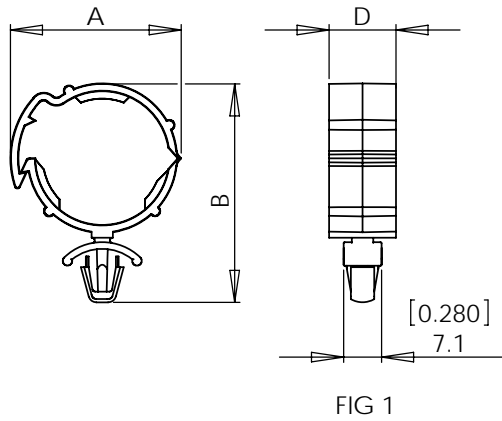
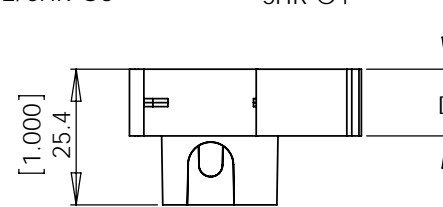


FIG 1

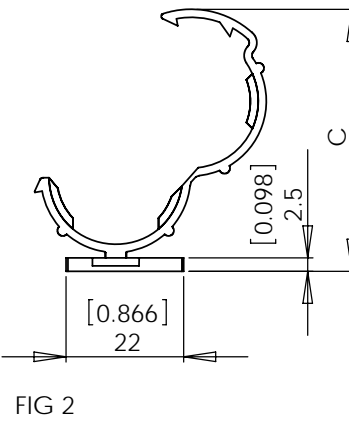
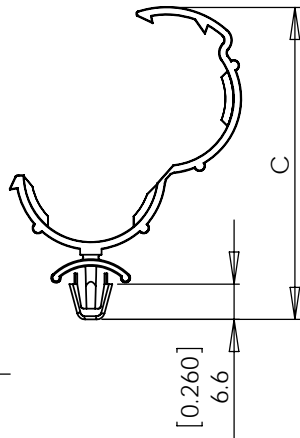


FIG 2

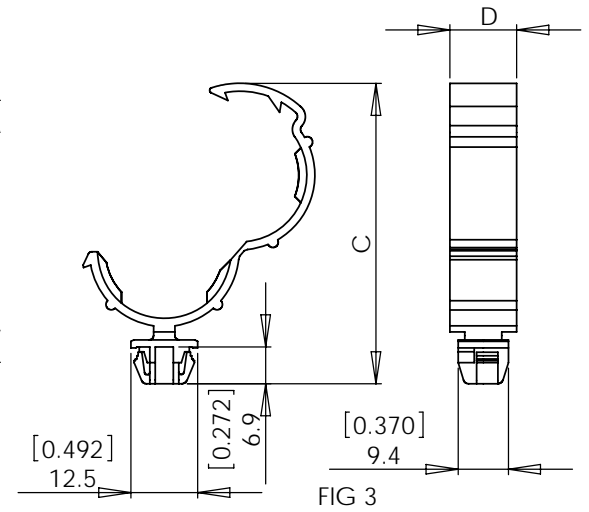
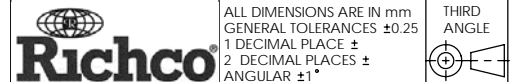


FIG 3

PART No.	A	B	C	D	MOUNTING	COLOUR	FIG
SHR-C1	29 REF [1.14]	42.5 REF [1.67]	58 REF [2.28]	12.5 [0.49]	SNAP LOCK INTO A $\phi 6.4 \pm 0.05$ HOLE [0.252 ± 0.002] PANEL THICKNESS 0.8 - 2mm [0.031 - 0.079]	BLACK	1
SHR-C2	30 REF [1.18]	32.5 REF [1.28]	47 REF [1.85]	12.5 [0.49]	MOUNT WITH #8 OR M4 SCREW	BLACK	2
SHR-C3	30 REF [1.18]	32.5 REF [1.28]	47 REF [1.85]	12.5 [0.49]	0.8 THICK DOUBLE SIDED TAPE (RMS-375)	BLACK	
SHR-C4	30 REF [1.18]	40.5 REF [1.63]	56 REF [2.21]	12.5 [0.49]	SNAP LOCK INTO A 9.5 ± 0.8 SQUARE HOLE PANEL THICKNESS 0.8 - 2mm [0.031 - 0.079]	BLACK	3

INFORMATION CONTAINED IN THIS DOCUMENT IS CONFIDENTIAL TO RICHCO INTERNATIONAL Co. Ltd. AND MAY NOT BE DISCLOSED OR REPRODUCED IN WHOLE OR PART WITHOUT THEIR WRITTEN CONSENT.



MATERIAL: NYLON 6/6 UL 94 V-2 (RMS-01)		COLOUR: SEE TABLE	
DESCRIPTION: SLIT HARNESS WRAP CLIP		PART No: SEE TABLE	
DRG No: 2007-046	NPR No: 2006-199	MASS: 3.5g	SHEET SIZE A3
DRN I.C	DATE 11/06/07	CHKD SF	DATE 27/09/07
SCALE 1:1		SHEET No. 1 OF 1	

X-ON Electronics

Largest Supplier of Electrical and Electronic Components

Click to view similar products for [Cable Mounting & Accessories](#) category:

Click to view products by [ESSENTRA](#) manufacturer:

Other Similar products are found below :

[582603-1](#) [009333-000](#) [727844N003](#) [747](#) [809090N001](#) [843188-000](#) [8666](#) [967279N002](#) [DB-11](#) [1300840039](#) [1300900096](#) [1301800416](#)
[1302264450](#) [1300830184](#) [1300830729](#) [1300900039](#) [1301580036](#) [1301850553](#) [1301860939](#) [1302000074](#) [1302261315](#) [1302264431](#)
[1337706-2](#) [APA18-AK](#) [1724](#) [1-787307-1](#) [185491N001](#) [1868](#) [HP-6N](#) [C-202-C](#) [202C221-13-0](#) [CA7308-000](#) [8S23-75FR-CS8184](#) [2684](#) [9648](#)
[3089](#) [988382-000](#) [A72821-000](#) [AA401](#) [173506-000](#) [1823](#) [202C292-13-0](#) [202C302-13-0](#) [2109](#) [300625](#) [3330](#) [3412](#) [356247-1](#) [M9142](#)
[M9143](#)