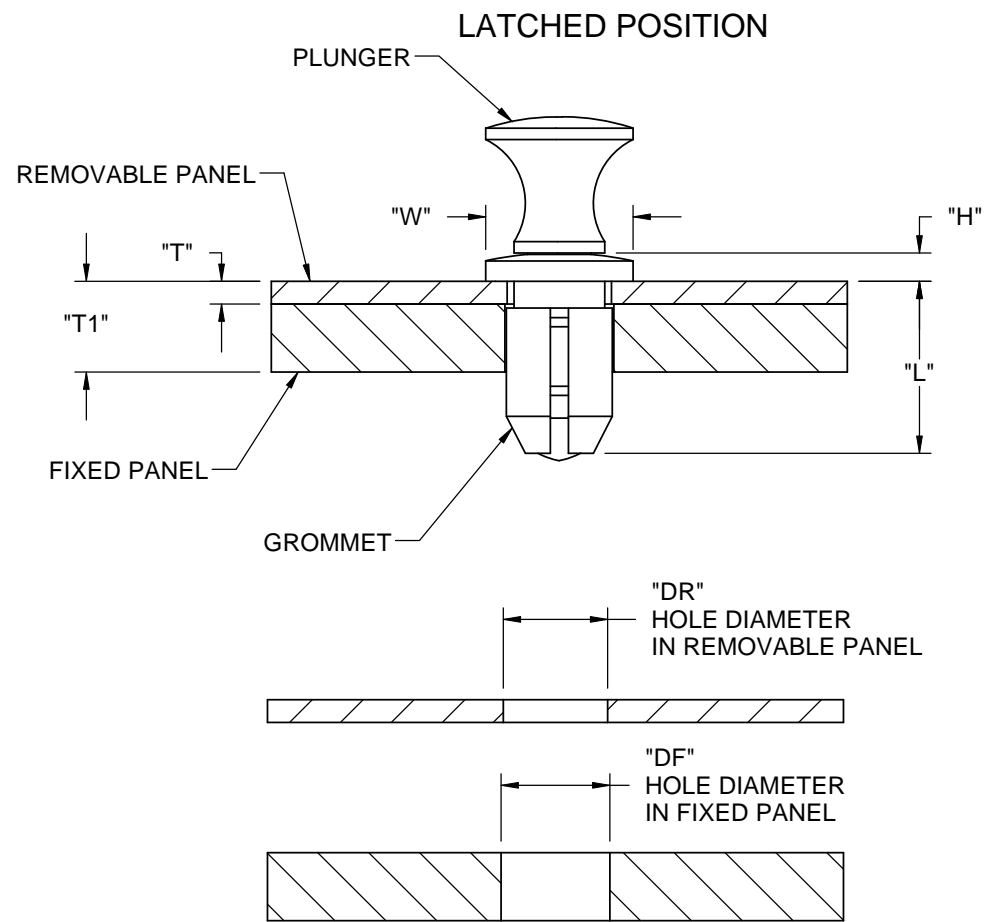
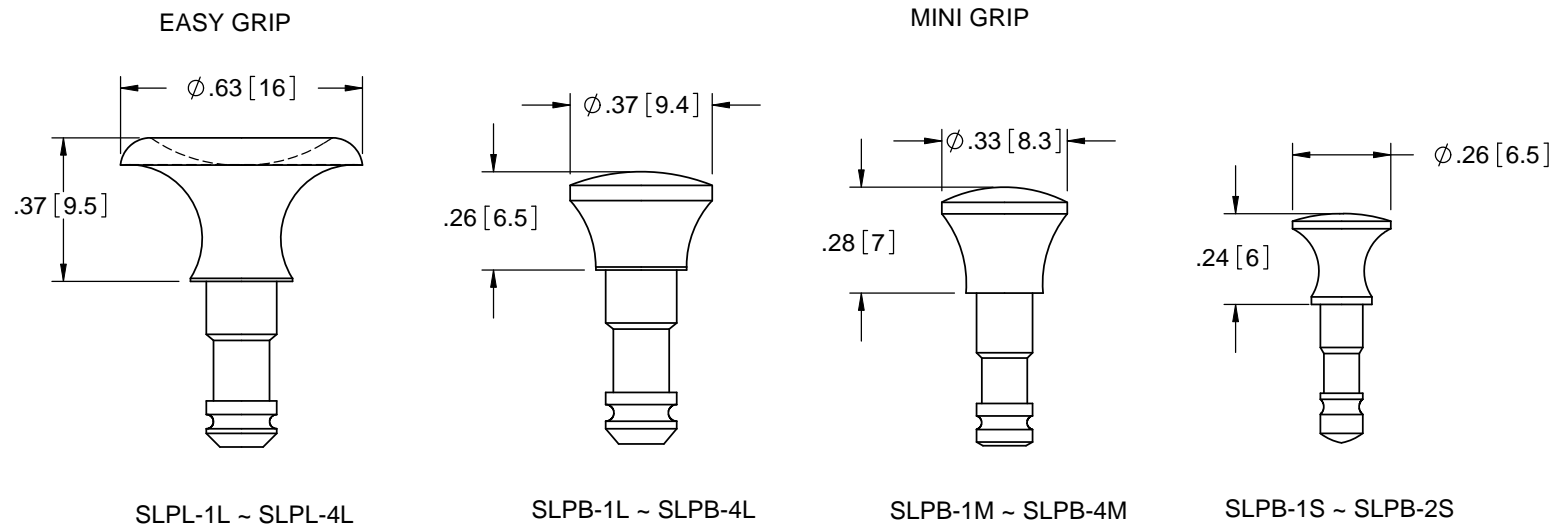


GROMMET NO.	GROMMET DASH NO.	"W"±.012 [0.3]	"H"±.008 [0.2]	"L" REF	"T" MAX	"T1" MAX	"DR" REMOVABLE PANEL HOLE DIA. RANGE	"DF" FIXED PANEL HOLE DIA. RANGE	MATING PLUNGER	ALTERNATE MATING PLUNGER NO.	PLUNGER DASH NO.
SLG	SL	.425 [10.8]	.079 [2]		.339 [8.6]	.043 [1.1]	.059-.145 [1.5-3.7]	.295-.303 [7.5-7.7]	SLPL	SLPB	1L
	1L				.354 [9]	.063 [1.6]	.079-.165 [2-4.2]				2L
	2L				.394 [10]	.098 [2.5]	.118-.205 [3-5.2]				3L
	3L				.461 [11.7]	.161 [4.1]	.181-.272 [4.6-6.9]				4L
	4L				.508 [12.9]	.209 [5.3]	.228-.315 [5.8-8]				
	1M	.335 [8.5]	.071 [1.8]		.315 [8]	.043 [1.1]	.059-.146 [1.5-3.7]	.234-.240 [5.95-6.1]	SLPB	----	1M
	2M				.335 [8.5]	.063 [1.6]	.079-.165 [2-4.2]				2M
	3M				.374 [9.5]	.098 [2.5]	.118-.272 [3-5.2]				3M
	4M				.433 [11]	.161 [4.1]	.181-.272 [4.6-6.9]				4M
	1S				.256 [6.5]	.047 [1.2]					.299 [7.6]
2S	.319 [8.1]	.059 [1.5]	.098-.177 [2.5-4.5]	2S							



PLUNGER STYLES



- NOTES:
 1. PLUNGER MATERIAL: NYLON 6, (RMS-120).
 2. GROMMET MATERIAL: POLYCARBONATE, (RMS-72).
 3. COLOR: BLACK OR WHITE; ADD SUFFIX "-B" OR "-W" TO PART NO.

REV.	DESCRIPTION	ENGR.	DATE
K	SEE CO 200302 FOR CHANGES	SK	01/06/09
J	SEE CO 200187 FOR CHANGES	S.K.	05/21/08
I	SEE ECN #1157 FOR CHANGES	SJ	4/25/06
H	SEE ECN #944 FOR CHANGES	SK	02/22/05
-	SEE ENG. FOR REVISIONS A-G	-	---

TITLE: SNAP LATCH				DWG IN IN [MM]			
CREATED USING SOLIDWORKS	FILE #: SL	DWN: SK	APP: SK	FINAL			
TOLERANCES UNLESS NOTED .XX±.01 .XXX±.005 FRAC.±1/64 ANG.±1°	SHEET: 1 OF 1	SHEET SIZE: B	DT: 02/22/05	CHKD: RDG	PART #		PRINT TYPE
RE: RICHCO, INC.	RICHCO, INC. ENG@RICHCO-INC.COM (773) 539-4060		SEE TABLE		CA		

X-ON Electronics

Largest Supplier of Electrical and Electronic Components

Click to view similar products for [Grommets & Bushings](#) category:

Click to view products by [ESSENTRA](#) manufacturer:

Other Similar products are found below :

[M10-036565-101](#) [M10-036565-143](#) [M10-036565-183](#) [205339-4](#) [M10-036565-122](#) [M10-036565-163](#) [3-1991136-0](#) [561-FGUP0850B](#) [561-MP13716](#) [561-FGUP0400N](#) [1398081-1](#) [1301800320](#) [M10-036565-232](#) [2298](#) [4014B](#) [2407](#) [2141-P](#) [HTL-40-10-TPE](#) [2417-P](#) [2917-P](#) [3108-P](#) [2871-P](#) [1342664](#) [60466](#) [50687](#) [12468](#) [51409](#) [12462](#) [15517](#) [60752](#) [60218](#) [12463](#) [BDE 21](#) [BDE 29](#) [HSS-M12-TPE RAL9005](#) [HSS-M16-TPE RAL9005](#) [HSS-M25-TPE RAL9005](#) [HSS-M20-TPE RAL9005](#) [HTT-21 RAL7035](#) [HTT-21-V0](#) [BDE 11](#) [BDE 13](#) [BDE13](#) [BDE 16](#) [SRF42](#) [100187](#) [100188](#) [100216](#) [100223](#) [100236](#)