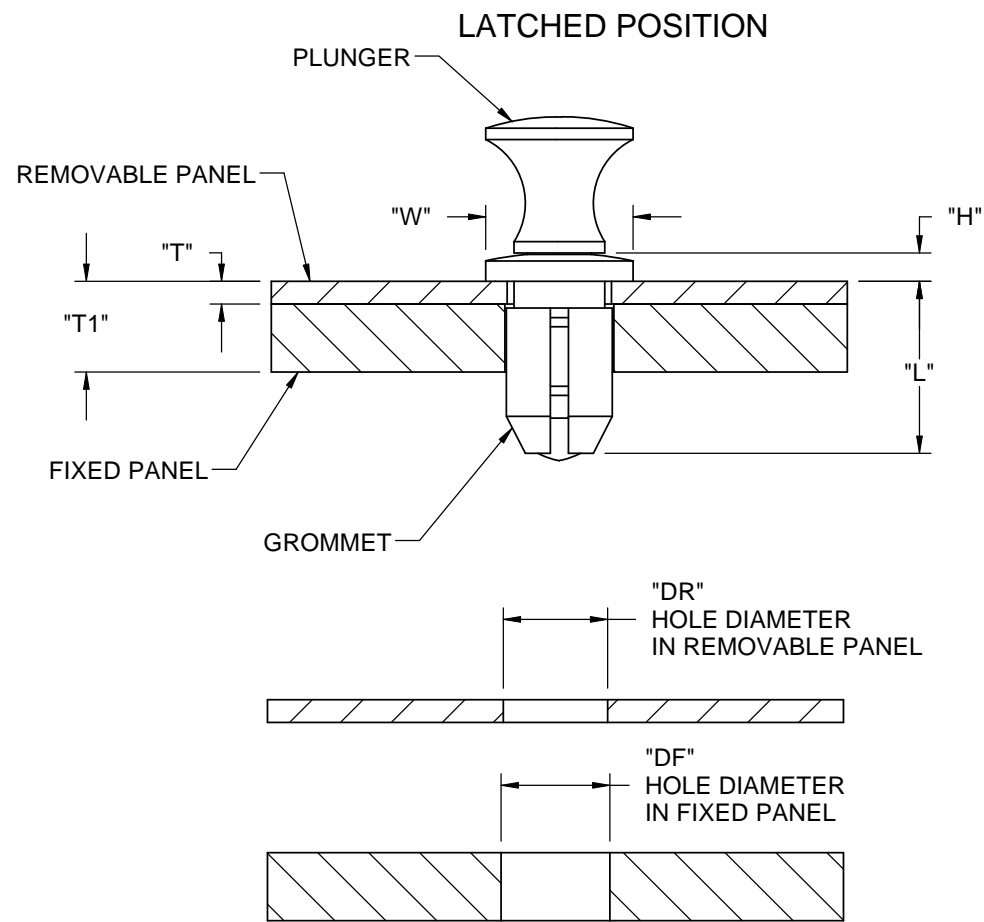
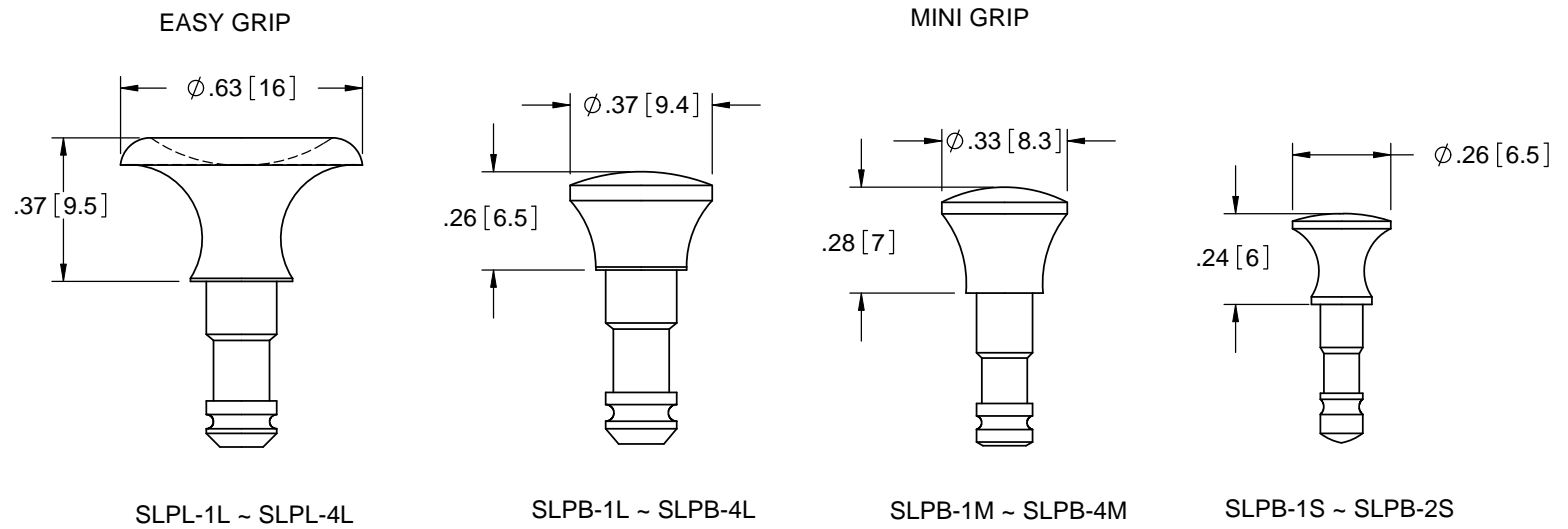


| GROMMET NO. | GROMMET DASH NO. | "W"±.012 [0.3] | "H"±.008 [0.2] | "L" REF | "T" MAX | "T1" MAX | "DR" REMOVABLE PANEL HOLE DIA. RANGE | "DF" FIXED PANEL HOLE DIA. RANGE | MATING PLUNGER | ALTERNATE MATING PLUNGER NO. | PLUNGER DASH NO. |
|-------------|------------------|----------------|----------------|---------|-------------|---------------------|--------------------------------------|----------------------------------|----------------|------------------------------|------------------|
| SLG | SL | .425 [10.8] | .079 [2] | | .339 [8.6] | .043 [1.1] | .059-.145 [1.5-3.7] | .295-.303 [7.5-7.7] | SLPL | SLPB | 1L |
| | 1L | | | | .354 [9] | .063 [1.6] | .079-.165 [2-4.2] | | | | 2L |
| | 2L | | | | .394 [10] | .098 [2.5] | .118-.205 [3-5.2] | | | | 3L |
| | 3L | | | | .461 [11.7] | .161 [4.1] | .181-.272 [4.6-6.9] | | | | 4L |
| | 4L | | | | .508 [12.9] | .209 [5.3] | .228-.315 [5.8-8] | | | | |
| | 1M | .335 [8.5] | .071 [1.8] | | .315 [8] | .043 [1.1] | .059-.146 [1.5-3.7] | .234-.240 [5.95-6.1] | SLPB | ---- | 1M |
| | 2M | | | | .335 [8.5] | .063 [1.6] | .079-.165 [2-4.2] | | | | 2M |
| | 3M | | | | .374 [9.5] | .098 [2.5] | .118-.272 [3-5.2] | | | | 3M |
| | 4M | | | | .433 [11] | .161 [4.1] | .181-.272 [4.6-6.9] | | | | 4M |
| | 1S | .256 [6.5] | .047 [1.2] | | .299 [7.6] | .039 [1] | .079-.158 [2-4] | .177-.181 [4.5-4.6] | | | 1S |
| 2S | .319 [8.1] | | | | .059 [1.5] | .098-.177 [2.5-4.5] | 2S | | | | |



PLUNGER STYLES



- NOTES:
 1. PLUNGER MATERIAL: NYLON 6, (RMS-120).
 2. GROMMET MATERIAL: POLYCARBONATE, (RMS-72).
 3. COLOR: BLACK OR WHITE; ADD SUFFIX "-B" OR "-W" TO PART NO.

| REV. | DESCRIPTION | ENGR. | DATE |
|------|----------------------------|-------|----------|
| K | SEE CO 200302 FOR CHANGES | SK | 01/06/09 |
| J | SEE CO 200187 FOR CHANGES | S.K. | 05/21/08 |
| I | SEE ECN #1157 FOR CHANGES | SJ | 4/25/06 |
| H | SEE ECN #944 FOR CHANGES | SK | 02/22/05 |
| - | SEE ENG. FOR REVISIONS A-G | - | --- |

| | | | | | | | |
|--|--|---------------|--------------|----------------|--------|--|------------|
| TITLE: SNAP LATCH | | | | DWG IN IN [MM] | | | |
| CREATED USING SOLIDWORKS | FILE #: SL | DWN: SK | APP: SK | FINAL | | | |
| TOLERANCES UNLESS NOTED .XX±.01 .XXX±.005 FRAC.±1/64 ANG.±1° | SHEET: 1 OF 1 | SHEET SIZE: B | DT: 02/22/05 | CHKD: RDG | PART # | | PRINT TYPE |
| RE: RICHCO, INC. | RICHCO, INC. ENG@RICHCO-INC.COM (773) 539-4060 | | SEE TABLE | | CA | | |

X-ON Electronics

Largest Supplier of Electrical and Electronic Components

Click to view similar products for [Screws & Fasteners](#) category:

Click to view products by [ESSENTRA](#) manufacturer:

Other Similar products are found below :

[5721-1440-1/4-SS](#) [593503FX](#) [0098.0094](#) [0098.9206](#) [0098.9219](#) [0098.9262](#) [596-2114-013](#) [59781-6](#) [0098.0026](#) [0098.9210](#) [0098.9212](#) [60227-01](#) [60227-04](#) [60227-08](#) [60687-01](#) [LOCK WASHER Black](#) [618-00001](#) [62153-03](#) [62153-11](#) [M316-KSSTMCZ100](#) [M3440-SS](#) [M3442-SS](#) [M3448-SS](#) [6292-1](#) [6-306105-9](#) [6-306131-4](#) [690432-1](#) [699161-000](#) [7230-3](#) [7244](#) [7248-1](#) [7248-2](#) [73542-02](#) [CAPTIVE SHORT THUMBSCREW](#) [745564-1](#) [F1209](#) [751-00001](#) [7680](#) [809704-1](#) [8700](#) [8860220](#) [9047](#) [9521](#) [992326-6](#) [992763-3](#) [1-18024-0](#) [1-18028-2](#) [A168P1](#) [A495P1](#) [1-24921-1](#) [125416-1](#) [1260](#)