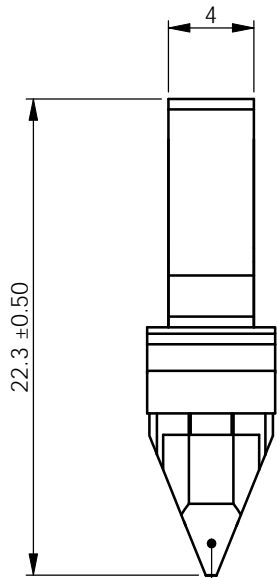
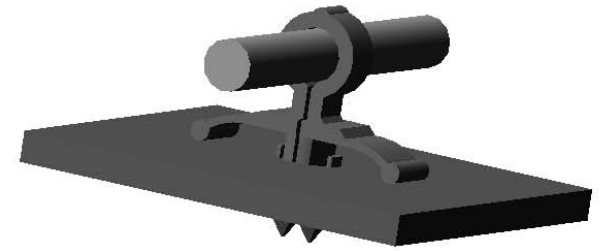
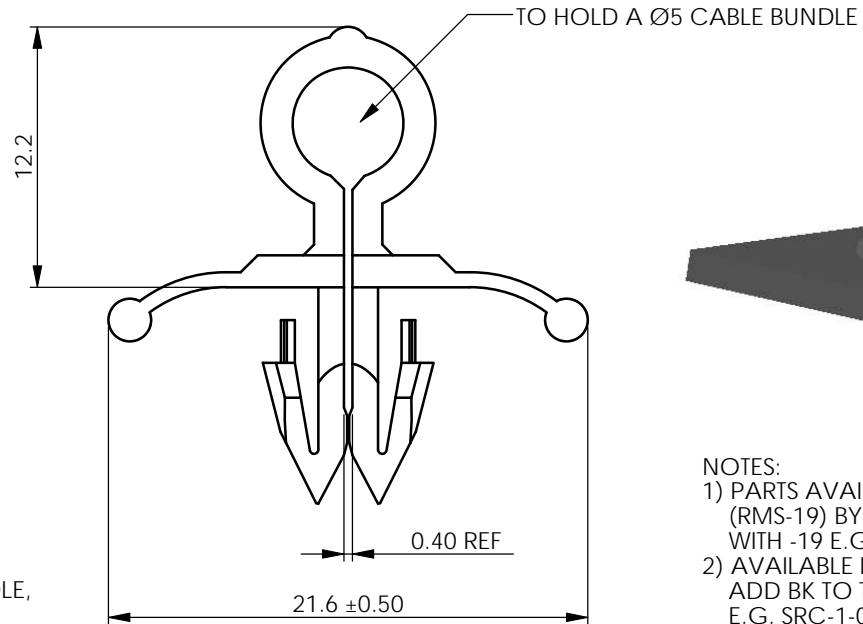


REV.	MODIFICATION.	DATE	DRN
01	PRODUCTION RELEASE	18/06/08	OW
02	CO2010446	16/10/08	SF



TO SNAP LOCK INTO A $\text{Ø}6.25 \pm 0.25$ HOLE, INTO A 2-3 THICK PANEL.

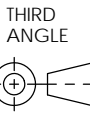


- NOTES:
- 1) PARTS AVAILABLE IN NYLON 6/6 UL94-V0 (RMS-19) BY SPECIAL ORDER. REPLACE -01 WITH -19 E.G. SRC-1-19
 - 2) AVAILABLE IN BLACK COLOUR BY SPECIAL ORDER. ADD BK TO THE END OF THE PART NUMBER E.G. SRC-1-01BK

INFORMATION CONTAINED IN THIS DOCUMENT IS CONFIDENTIAL TO RICHCO INTERNATIONAL Co. Ltd. AND MAY NOT BE DISCLOSED OR REPRODUCED IN WHOLE OR PART WITHOUT THEIR WRITTEN CONSENT.

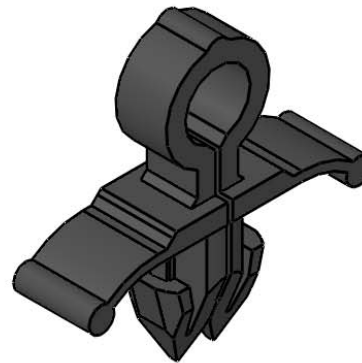


ALL DIMENSIONS IN mm
 GENERAL TOLERANCES ± 0.25
 UNLESS OTHERWISE STATED
 1 DECIMAL PLACE ± 0.25
 2 DECIMAL PLACES ± 0.10
 ANGULAR $\pm 1^\circ$



MATERIAL: SEE TABLE		COLOUR: SEE TABLE	
DESCRIPTION: SPLIT ROUTING CLIP		PART No: SRC-1-XX	
DRG No: 08-0051	NPR No: 2007-304	Mass:(g) 0.8	SHEET SIZE A4
DRN OW	DATE 02/10/07	CHKD SF	DATE 02/10/07
SCALE NTS		SHEET No. 1 OF 1	

PART NUMBER	MATERIAL	COLOUR
SRC-1-01	NYLON 6/6 UL94 V2(RMS-01)	NATURAL



X-ON Electronics

Largest Supplier of Electrical and Electronic Components

Click to view similar products for [Cable Mounting & Accessories](#) category:

Click to view products by [ESSENTRA](#) manufacturer:

Other Similar products are found below :

[582603-1](#) [009333-000](#) [727844N003](#) [747](#) [809090N001](#) [843188-000](#) [8666](#) [967279N002](#) [DB-11](#) [1300840039](#) [1300900096](#) [1301800416](#)
[1302264450](#) [1300830184](#) [1300830729](#) [1300900039](#) [1301580036](#) [1301850553](#) [1301860939](#) [1302000074](#) [1302261315](#) [1302264431](#)
[1337706-2](#) [APA18-AK](#) [1724](#) [1-787307-1](#) [185491N001](#) [1868](#) [HP-6N](#) [C-202-C](#) [202C221-13-0](#) [CA7308-000](#) [8S23-75FR-CS8184](#) [2684](#) [9648](#)
[3089](#) [988382-000](#) [A72821-000](#) [AA401](#) [173506-000](#) [1823](#) [202C292-13-0](#) [202C302-13-0](#) [2109](#) [300625](#) [3330](#) [3412](#) [356247-1](#) [M9142](#)
[M9143](#)