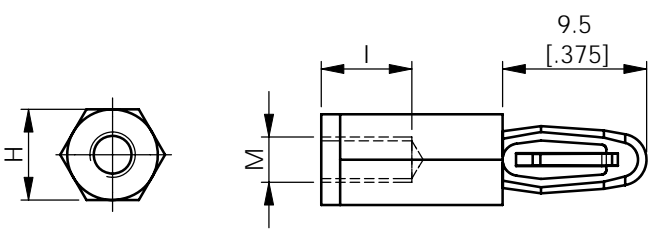
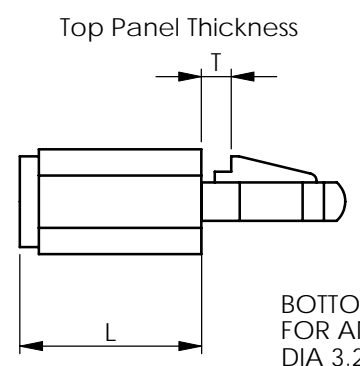


REV.	MODIFICATION.	DATE	DRN
03	ECN-05-081	26/07/05	NJB
04	ECN-07-193	08/11/07	SF
05	CO-2010035	08/02/08	TC
06	CO-2010578	24/02/09	TC
07	CO-2010636	27/04/09	SF

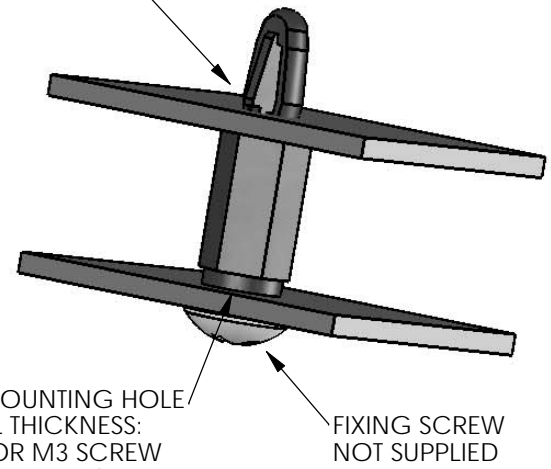
PART NO.	M	H	T	L															
				2.5	3.0	3.5	4.0	5.0	5.5	10.0									
TCBN-T1-M3-6-L	M3	6.0 [.237]	1.6 [.063]																
TCBN-T1-M3-8-L		8.0 [.315]																	
TCBN-T2-M3-6-L		6.0 [.237]	2.0 [.079]	5.0	6.0	7.0	8.0	9.0	10.0	11.0	12.0	13.0	14.0	15.0	16.0	17.0	18.0	19.0	20.0-61.0
TCBN-T2-M3-8-L		[.197]		[.236]	[.276]	[.315]	[.355]	[.394]	[.434]	[.473]	[.512]	[.552]	[.591]	[.630]	[.670]	[.709]	[.749]	[.788-2.402]	
TCBN-T1-M4-8-L	M4	8.0 [.315]	1.6 [.063]																
TCBN-T2-M4-8-L			2.0 [.079]																
I +0/-0.5				2.5 [.099]	3.0 [.118]	3.5 [.138]	4.0 [.158]	5.0 [.178]	5.5 [.197]	10.0 [.394]									



TOP PCB -
MOUNTING
HOLE DIA
4 +/- 0.08
[.158 +/- .003]



BOTTOM PCB MOUNTING HOLE
FOR ANY PANEL THICKNESS:
DIA 3.2 [.125] FOR M3 SCREW
DIA 4.8 [.188] FOR M4 SCREW



NOTE:
1) LENGTHS AVAILABLE IN INCREMENTS OF 1mm.

ALTERNATE UNITS FOR REFERENCE ONLY

INFORMATION CONTAINED IN THIS DOCUMENT IS CONFIDENTIAL TO RICHCO INTERNATIONAL Co. Ltd. AND MAY NOT BE DISCLOSED OR REPRODUCED IN WHOLE OR PART WITHOUT THEIR WRITTEN CONSENT.

	ALL DIMENSIONS IN mm GENERAL TOLERANCES ±0.25 UNLESS OTHERWISE STATED 1 DECIMAL PLACE ± 2 DECIMAL PLACES ± ANGULAR ±1°	THIRD ANGLE

MATERIAL: NYLON 6/6 (RMS-172)	COLOUR: BLACK
----------------------------------	------------------

DESCRIPTION: THREADED CIRCUIT BOARD SUPPORT, NYLON	PART No: TCBN-TX-MD-H-L
--	----------------------------

DRG No: 04-133	NPR No:	SHEET SIZE A4
-------------------	---------	------------------

DRN NJB	DATE 26/10/04	CHKD RC	DATE 26/10/04	SCALE NTS	SHEET No. 1 OF 1
------------	------------------	------------	------------------	--------------	---------------------

X-ON Electronics

Largest Supplier of Electrical and Electronic Components

Click to view similar products for [Circuit Board Hardware - PCB category](#):

Click to view products by [ESSENTRA manufacturer](#):

Other Similar products are found below :

[8919-0-00-15-00-00-03-0](#) [0135-0-15-01-30-27-04-0](#) [5970-1-15-01-32-14-04-0](#) [0149-0-15-15-30-27-04-0](#) [7305-0-15-15-47-14-10-0](#) [MLN](#)
[150/1 BLACK](#) [8579-0-15-80-11-27-10-0](#) [8579-1-15-15-11-27-10-0](#) [8830-0-15-01-22-14-10-0](#) [8836-0-00-21-00-00-03-0](#) [PRUEF 1 RED](#)
[PRUEF 2 RED](#) [9976-0-00-00-00-00-03-0](#) [PW1616](#) [1215-3-05-00-00-00-01-0](#) [1231](#) [1303-0-15-15-47-14-04-0](#) [1404-3](#) [1404-4](#) [1406-4](#) [1407-3](#)
[1407-4](#) [1408-3](#) [1424-4](#) [1427-3](#) [1419-4](#) [1426-4](#) [MPS 1 BLACK](#) [1548-103](#) [1938-0-00-00-00-00-03-0](#) [1942-0-00-00-00-00-03-0](#) [2101-3-](#)
[00-44-00-00-07-0](#) [2108-2-00-50-00-00-07-0](#) [2109-2-00-44-00-00-07-0](#) [2110-2-00-44-00-00-07-0](#) [2111-2-00-00-00-00-07-0](#) [2113-4-00-44-00-](#)
[00-07-0](#) [2301-3-00-44-00-00-07-0](#) [2308-1-00-50-00-00-07-0](#) [2313-2-00-00-00-00-07-0](#) [2315-2-01-44-00-00-07-0](#) [2317-2-00-50-00-00-07-0](#)
[2333-1-00-50-00-00-07-0](#) [9000-0-00-00-00-00-03-0](#) [2506-2-00-50-00-00-07-0](#) [2507-2-01-44-00-00-07-0](#) [2508-2-00-44-00-00-07-0](#) [2561-2-](#)
[00-44-00-00-07-0](#) [9220](#) [9234-0-15-15-30-14-10-0](#)