

PART NO.	MAX NO. OF CONDUCTORS	"A" ±.02 [0.5]	"B" REF	"C" ±.005 [0.13]	"D" ±.015 [0.4]	"E" REF	FIG.
TFCCA-15-01	10	.57 [14.5]	1.28 [32.5]	.591 [15.0]	.36 [9.1]	.56 [14.1]	FIG. 1
TFCCA-25-01	20	.97 [24.7]	1.55 [39.3]	.787 [20.0]	.52 [13.2]	.50 [12.7]	FIG. 2
TFCCA-40-01	40	2.13 [54.1]	2.64 [67.0]	1.575 [40.0]	.39 [10.0]	.64 [16.3]	
TFCCA-50-01	50	2.51 [63.8]	3.04 [77.2]	1.957 [49.7]	.40 [10.2]	.54 [13.7]	

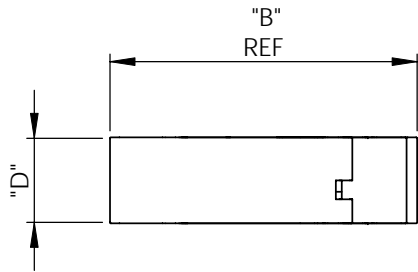


FIG. 1

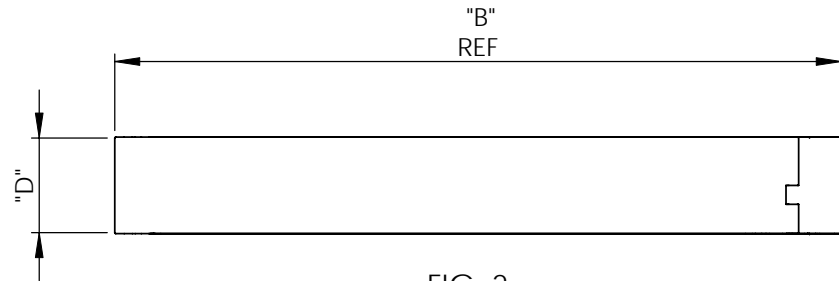
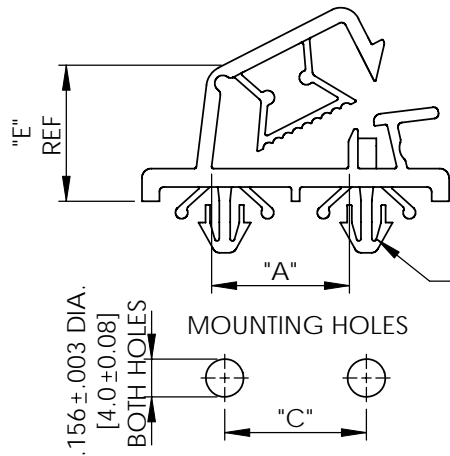
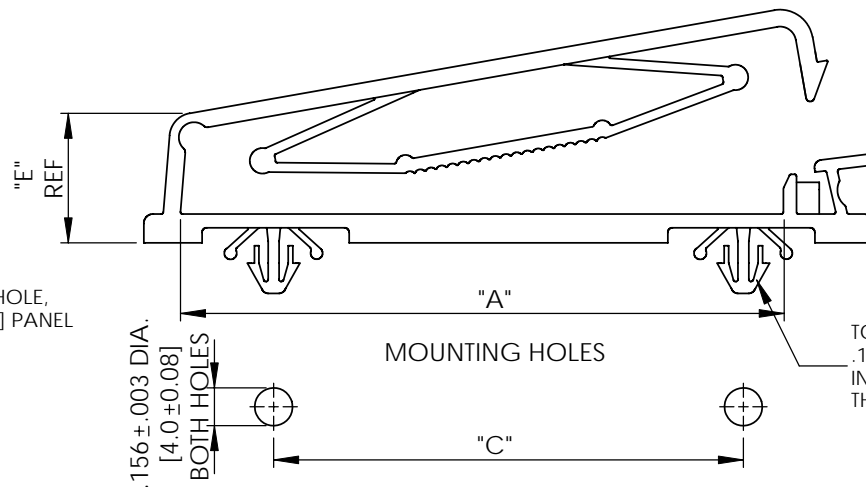


FIG. 2



TO SNAP LOCK IN
.156 ± .003 [4.0 ± 0.08] HOLE,
IN A .040-.079 [1.0-2.0] PANEL
THICKNESS



TO SNAP LOCK IN
.156 ± .003 [4.0 ± 0.08] HOLE,
IN A .040-.079 [1.0-2.0] PANEL
THICKNESS

NOTES:

1. MATERIAL: NYLON 6/6 UL94 V-2 (RMS-01).
2. MATERIAL NYLON 6/6 UL94 V-0 (RMS-19) AVAILABLE FOR SPECIAL ORDER ONLY, TO ORDER REPLACE "-01" WITH "-19"
3. COLOR: NATURAL.

TITLE: TENSION FLAT CABLE CLAMP WITH ARROWHEAD				DWG IN IN [MM]		FINAL	
CREATED USING SOLIDWORKS	FILE #: TFCCA	DWN: J.T	APP: J.T				
TOLERANCES UNLESS NOTED .XX=±.020 .XXX=±.015 FRAC.=±1/32 ANG.=±3°	SHEET: 1 OF 1	SHEET SIZE: A	DT: 11.17.06	CHKD: A.F	PART #		PRINT TYPE
	RE: RICHCO XIAMEN		RICHCO XIAMEN RICHCO_XIAMEN@RICHCO.CN (+86) 592-6884500		SEE TABLE		CA

REV.	DESCRIPTION	ENGR.	DATE
C	SEE CO 220021 FOR CHANGES	J.T	02.06.09
B	SEE ECN XM0011 FOR CHANGES	J.T	04.24.07
A	RELEASED FOR PRODUCTION	J.T	03.13.07

X-ON Electronics

Largest Supplier of Electrical and Electronic Components

Click to view similar products for [Cable Mounting & Accessories](#) category:

Click to view products by [ESSENTRA](#) manufacturer:

Other Similar products are found below :

[582603-1](#) [009333-000](#) [727844N003](#) [747](#) [809090N001](#) [843188-000](#) [8666](#) [967279N002](#) [DB-11](#) [1300840039](#) [1300900096](#) [1301800416](#)
[1302264450](#) [1300830184](#) [1300830729](#) [1300900039](#) [1301580036](#) [1301850553](#) [1301860939](#) [1302000074](#) [1302261315](#) [1302264431](#)
[1337706-2](#) [APA18-AK](#) [1724](#) [1-787307-1](#) [185491N001](#) [1868](#) [HP-6N](#) [C-202-C](#) [202C221-13-0](#) [CA7308-000](#) [8S23-75FR-CS8184](#) [2684](#) [9648](#)
[3089](#) [988382-000](#) [A72821-000](#) [AA401](#) [173506-000](#) [1823](#) [202C292-13-0](#) [202C302-13-0](#) [2109](#) [300625](#) [3330](#) [3412](#) [356247-1](#) [M9142](#)
[M9143](#)