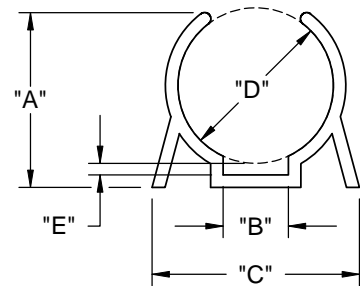
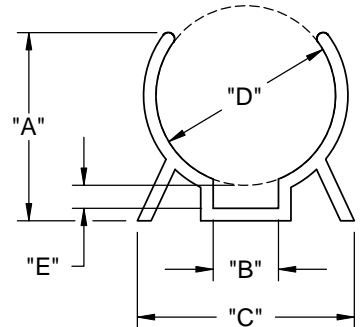


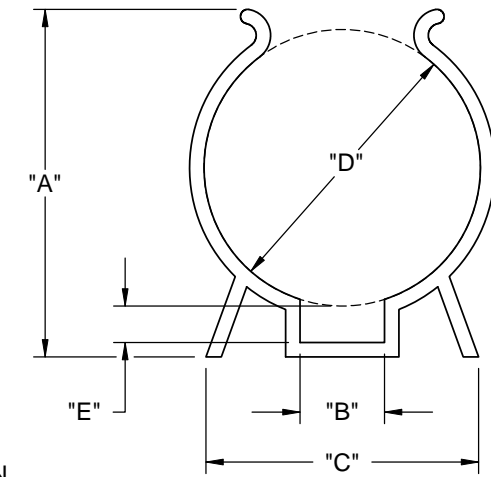
PART NO.	"A" REF.	"B" REF.	"C" REF.	"D" HOLDING DIA.	"E" REF.	"F" REF.	"G" ±.020 [0.5]	"H" REF.	"I" [REF.]	"L" ±.030 [0.8]	WALL REF.	
V- 1000	.30 [7.5]	.19 [4.8]	.50 [12.7]	.25 [6.4]	.04 [1.0]	.094 [2.4]	.250 [6.4]	SINGLE HOLE IN CENTER	.135 [3.4]	.50 [12.7]	.040 [1.0]	
V- 1001	.36 [9.1]			.31 [7.9]	.06 [1.5]				.140 [3.6]		.045 [1.1]	
V- 1002	.41 [10.3]			.38 [9.5]					.160 [4.1]		.050 [1.3]	
V- 1003	.45 [11.5]	.52 [13.1]	.44 [11.1]	.185 [4.7]		.060 [1.5]						
V- 1004	.50 [12.7]	.22 [5.6]	.66 [16.7]	.50 [12.7]	.04 [1.0]	.156 [4.0]	.190 [4.8]	.75 [19.1]	.235 [6.0]	1.13 [28.5]	.075 [1.9]	
V- 1005	.61 [15.5]			.72 [18.3]					.56 [14.3]			.245 [6.2]
V- 1006	.63 [15.9]	.25 [6.4]	.83 [21.0]	.63 [15.9]	.06 [1.5]				.235 [6.0]			
V- 1007	.63 [15.9]	.34 [8.6]	.84 [21.0]	.69 [17.6]	.04 [1.0]	.156 [4.0]	.500 [12.7]	.75 [19.1]	.280 [7.1]	1.50 [38.1]	.093 [2.4]	
V- 1008	.78 [19.8]	.36 [9.1]	.89 [22.6]	.75 [19.1]	.06 [1.5]				.295 [7.5]			
V- 1009	.91 [23.0]	.34 [8.6]	1.08 [27.4]	.88 [22.2]	.06 [1.5]				.343 [8.7]			
V- 1010	.98 [25.0]		1.13 [28.6]	1.00 [25.4]	.12 [3.0]	.19 [4.8]						
V- 1011	1.34 [34.1]	.41 [10.4]	1.25 [31.8]	1.38 [34.9]	.19 [4.8]	.156 [4.0]	.500 [12.7]	.75 [19.1]	1.13 [28.5]	1.75 [44.5]	.075 [1.9]	
V- 1024	1.81 [46.0]	.44 [11.2]	1.42 [36.1]	1.50 [38.1]	.19 [4.8]							.375 [9.5]
V- 1028	1.92 [48.8]		1.50 [38.1]	1.75 [44.5]	.22 [5.6]							.375 [9.5]
V- 1030	2.44 [61.9]	.52 [13.2]	2.61 [66.3]	2.25-2.75 [57.1-69.9]	.22 [5.6]	.156 [4.0]	.500 [12.7]	.75 [19.1]	1.13 [28.5]	1.75 [44.5]	.075 [1.9]	



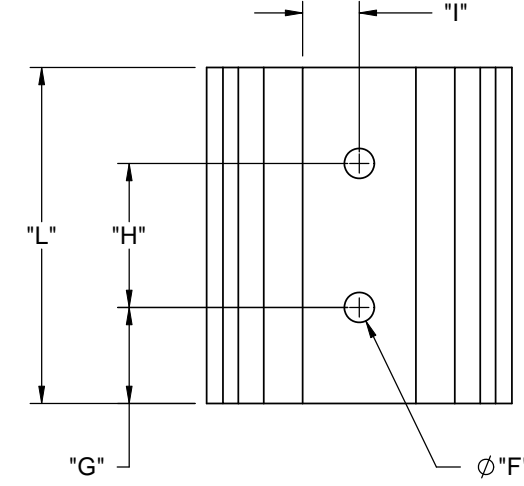
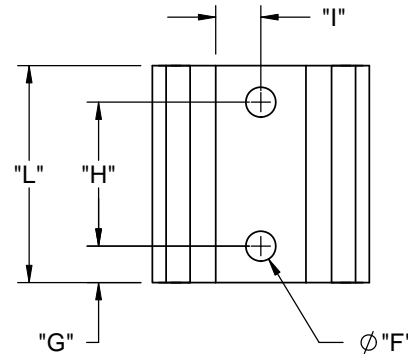
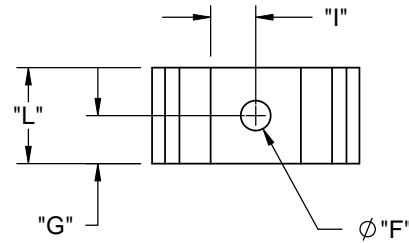
THIS STYLE ON
V-1000 THRU V-1009



THIS STYLE ON
V-1010 & V-1011



THIS STYLE ON
V-1024, V-1028, & V-1030



- NOTES:
1. MATERIAL: PVC (RMS-4)
2. COLOR: BLACK
3. DIMENSION "E" APPLIES TO PART WITH NOMINAL DIA. ROD IN PLACE.
4. CUSTOM LENGTHS AVAILABLE BY SPECIAL ORDER.

K	SEE CO # 200258 FOR CHANGES	SK	10/09/08
J	SEE CO # 200211 FOR CHANGES	SK	07/07/08
-	SEE ENGINEERING FOR REV A-I	-	-
REV.	DESCRIPTION	ENGR.	DATE

TITLE: COMPONENT CLIPS				DWG IN IN [MM]		FINAL	
CREATED USING SOLIDWORKS	FILE #: V-CLIPS	DWN: R.D.G.	APP: R.D.G.	PART #			
TOLERANCES UNLESS NOTED .XX=±.02 .XXX=±.015 FRAC.=±1/32 ANG.=±3°	SHEET: 1 OF 1 SHEET SIZE: B	DT: 06/23/08	CHKD: D.Z.	SEE TABLE		PRINT TYPE	
RE: RICHCO, INC.		RICHCO, INC. ENG@RICHCO-INC.COM (773) 539-4060		CA			

X-ON Electronics

Largest Supplier of Electrical and Electronic Components

Click to view similar products for [Cable Mounting & Accessories](#) category:

Click to view products by [ESSENTRA](#) manufacturer:

Other Similar products are found below :

[HP-4N](#) [582603-1](#) [009333-000](#) [727844N003](#) [809090N001](#) [8109](#) [843188-000](#) [843459N001](#) [843460N003](#) [8666](#) [967279N002](#) [GPQC1/0](#) [DB-11](#) [1300830208](#) [1300840039](#) [1300900026](#) [1300990052](#) [1301740005](#) [1301800121](#) [1301800416](#) [1300830184](#) [1300990149](#) [1301580036](#) [1301720103](#) [1301720135](#) [1301720152](#) [1301720157](#) [1301740009](#) [1301770011](#) [1301850553](#) [1301860939](#) [1302000074](#) [1302264431](#) [1337706-2](#) [APA18-AK](#) [MTX6UTPSRC-C](#) [1-787307-1](#) [185491N001](#) [HP-6N](#) [C-202-C](#) [202C221-13-0](#) [OMTM-S10-C0](#) [205339-4](#) [CA7308-000](#) [8S23-75FR-CS8184](#) [2684](#) [9648](#) [3089](#) [988382-000](#) [A0270164](#)