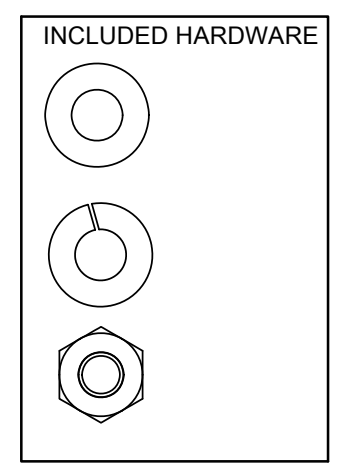
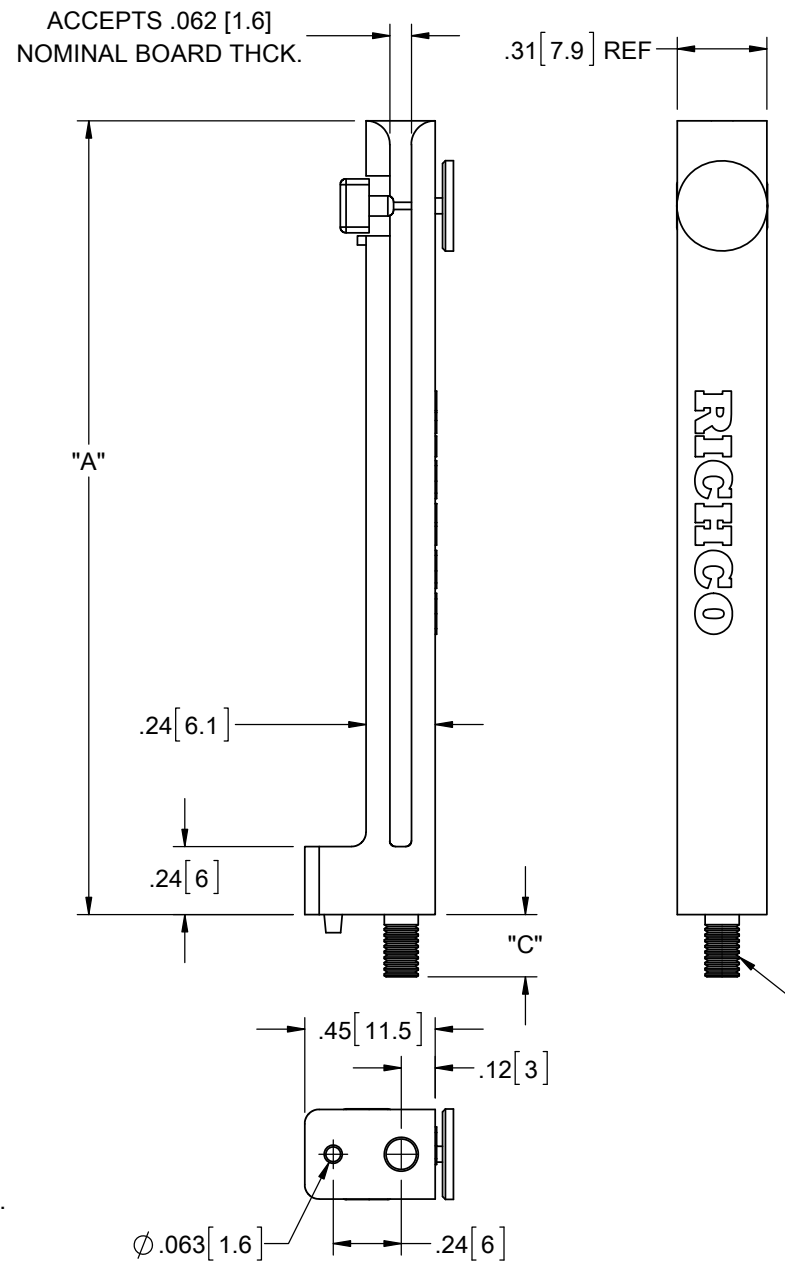
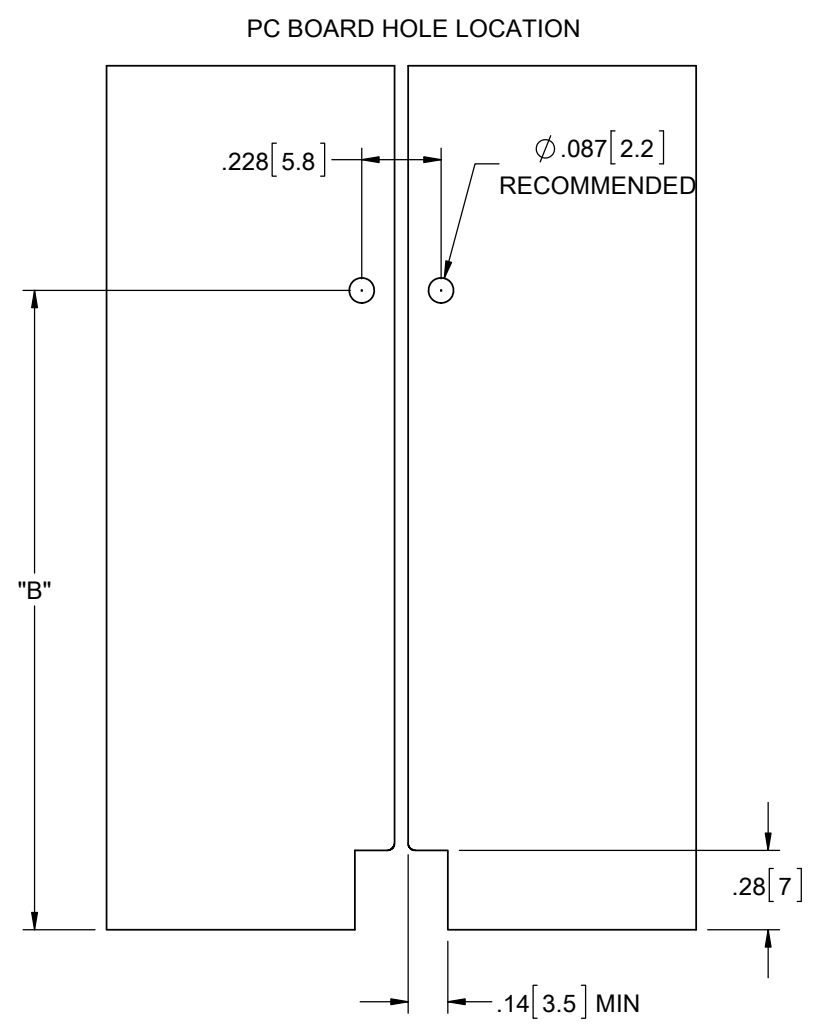
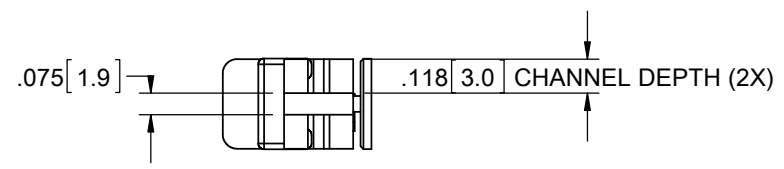
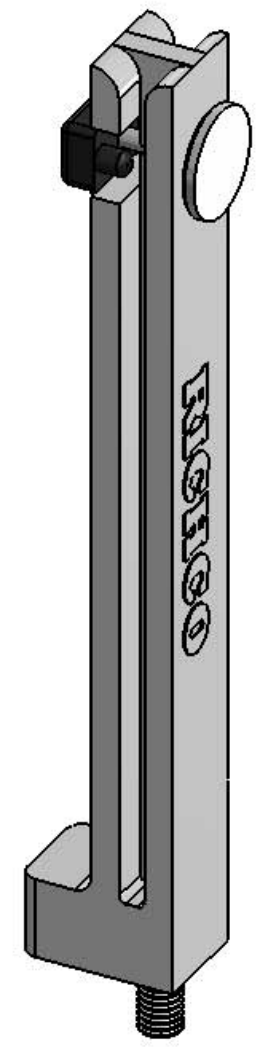


PART NO.	"A"	"B"	"C"
VMCG-70-MPBK-K	2.76 [70]	2.44 [62.5]	.22 [5.5]
VMCG-100-MPBK-K	3.94 [100]	3.62 [92]	.35 [9]



M3 X 0.5 THREADED METAL INSERT



- NOTES:
- STANDARD MATERIAL: NYLON 6, GLASS FILLED (RMS-38). COLOR: GRAY.
ALTERNATE MATERIAL: NYLON 6 UL94 V-0 (RMS-371). AVAILABLE BY SPECIAL ORDER.
TO ORDER USE P/N: VMCG-XX-MPBK-FR-K.COLOR: GRAY.
 - COMPONENTS:
 - LOCKING BUTTON: HDPE (RMS-284)
 - THREADED INSERT: BRASS (RMS-231)
 - WASHER: STAINLESS STEEL (RMS-228)
 - HEX NUT: STAINLESS STEEL (RMS-228)

REV.	DESCRIPTION	ENGR.	DATE
J	REDRAWN, SEE CO 200749	SK	01/18/2012
-	SEE ENGINEERING FOR REV A-1	-	-

TITLE: VERTICAL MOUNT CARD GUIDE, TYPE 2				DWG IN IN [MM]		FINAL	
CREATED USING SOLIDWORKS	FILE #: VMCG-2	DWN: SK	APP: SK	PART #			
TOLERANCES UNLESS NOTED .XX=±.010 .XXX=±.005 FRAC.=±1/64 ANG.=±1°	SHEET: 1 OF 1	SHEET SIZE: B	DT: 01/17/2012	CHKD: DZ	SEE TABLE		PRINT TYPE
RE: RICHCO, INC.		RICHCO, INC. WWW.RICHCO-INC.COM				CA	

X-ON Electronics

Largest Supplier of Electrical and Electronic Components

Click to view similar products for [Racks & Rack Cabinet Accessories](#) category:

Click to view products by [ESSENTRA](#) manufacturer:

Other Similar products are found below :

[M00-PLN](#) [F2424](#) [8351-832-A-24](#) [9104](#) [9105](#) [PLFF2000](#) [H-9163-B](#) [1427C3](#) [HTS10](#) [PC-79](#) [SC10-3A](#) [SC4-28](#) [CG3-340S/12](#) [CP-001BK](#)
[M6123-4007-SS](#) [AX61400TB](#) [TS170](#) [LP40](#) [5261304-07](#) [CG3-160G](#) [7112C-PLN](#) [ALUM](#) [CM10](#) [8610-3124-S-26](#) [TS81](#) [7142](#) [GP134](#)
[M6125-4007-A-24](#) [M6127-4007-SS](#) [PBCOVER](#) [512](#) [AEG-4000G](#) [AEG-3000G](#) [HD99](#) [SR2-66A2](#) [FP10B4HP-1](#) [SR16-66A2](#) [FP52-2](#) [1406-](#)
[1006-01](#) [29478](#) [TS2535](#) [TS169-6](#) [CAC2](#) [HA19-3U](#) [BR-19-10-1](#) [TS180](#) [CG3-ESD](#) [SC11-1](#) [CFS-1.00/2.20](#) [HEC0800PB](#) [ZC633R](#)