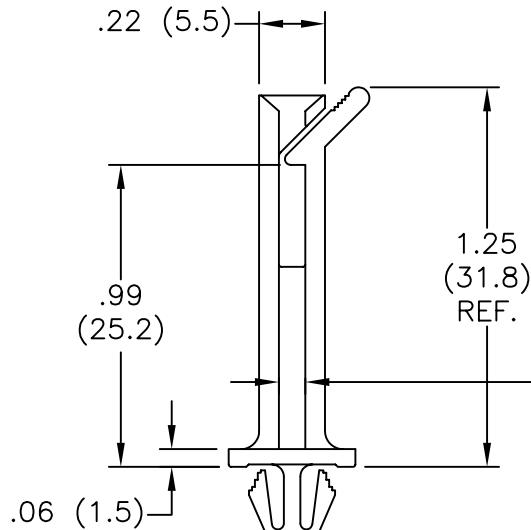
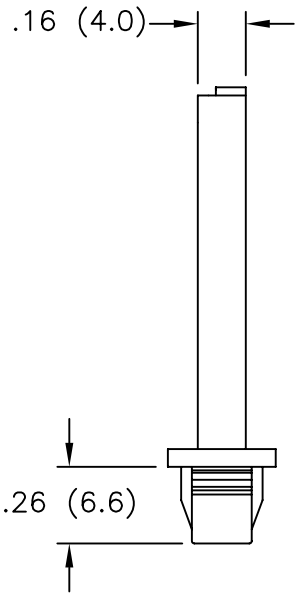
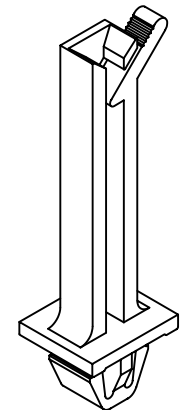
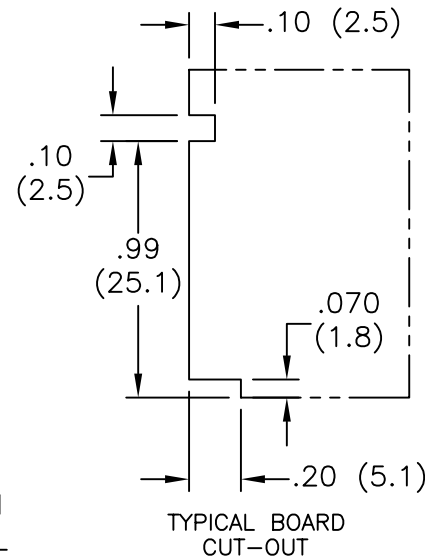


MOUNTING HOLE DIMENSIONS ± 0.003 (± 0.08)



ACCOMODATES
A 1/16 (1.6)
NOMINAL THICK
BOARD

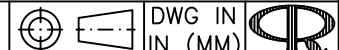
TO FIT IN A .047 TO .071
(1.2 TO 1.8) THICK PANEL



NOTES:

1. MAT'L: NYLON 66 (RMS-01), NAT.
2. FLAME RETARDANT NYLON (RMS-19), AVAILABLE BY SPECIAL ORDER

TITLE: VERTICAL MOUNT CARD GUIDE-LATCHED (UK)



DWG IN IN (MM)

FINAL

TOLERANCES UNLESS NOTED
.XX= ± 0.10
.XXX= ± 0.005
FRAC= $\pm 1/64$
ANG= $\pm 1^\circ$

FILE # VMCGLE
MAT'L: SEE NOTES
RE: RICHCO, INC.

DWN: P.B.
DT: 04-06-94 DT:
RICHCO INC.
PO BOX 804238, CHICAGO, 60680
(773) 539-4060

PART # VMCGLE-31M-01

PRINT TYPE CA

REV	DESCRIPTION	ENGR	DATE
C	DIM .279 WAS .276, CHANGED FILE NO.	SM	11.29.01
B	TYPICAL BOARD CUT-OUT ADDED	PB	110394
A	P/N VMCGLE-31M-01 WAS VMCGLE	PB	100394

X-ON Electronics

Largest Supplier of Electrical and Electronic Components

Click to view similar products for [Racks & Rack Cabinet Accessories](#) category:

Click to view products by [ESSENTRA](#) manufacturer:

Other Similar products are found below :

[M00-PLN](#) [F2424](#) [8351-832-A-24](#) [9104](#) [9105](#) [PLFF2000](#) [H-9163-B](#) [1427C3](#) [HTS10](#) [PC-79](#) [SC10-3A](#) [SC4-28](#) [CG3-340S/12](#) [CP-001BK](#)
[M6123-4007-SS](#) [TS170](#) [LP40](#) [5261304-07](#) [CG3-160G](#) [7112C-PLN](#) [ALUM](#) [CM10](#) [8610-3124-S-26](#) [TS81](#) [7142](#) [GP134](#) [M6125-4007-A-24](#)
[M6127-4007-SS](#) [PBCOVER](#) [512](#) [AEG-4000G](#) [AEG-3000G](#) [HD99](#) [SR2-66A2](#) [FP10B4HP-1](#) [SR16-66A2](#) [FP52-2](#) [1406-1006-01](#) [29478](#)
[TS2535](#) [TS169-6](#) [CAC2](#) [HA19-3U](#) [BR-19-10-1](#) [TS180](#) [CG3-ESD](#) [SC11-1](#) [CFS-1.00/2.20](#) [HEC0800PB](#) [ZC633R](#) [140PLN](#)