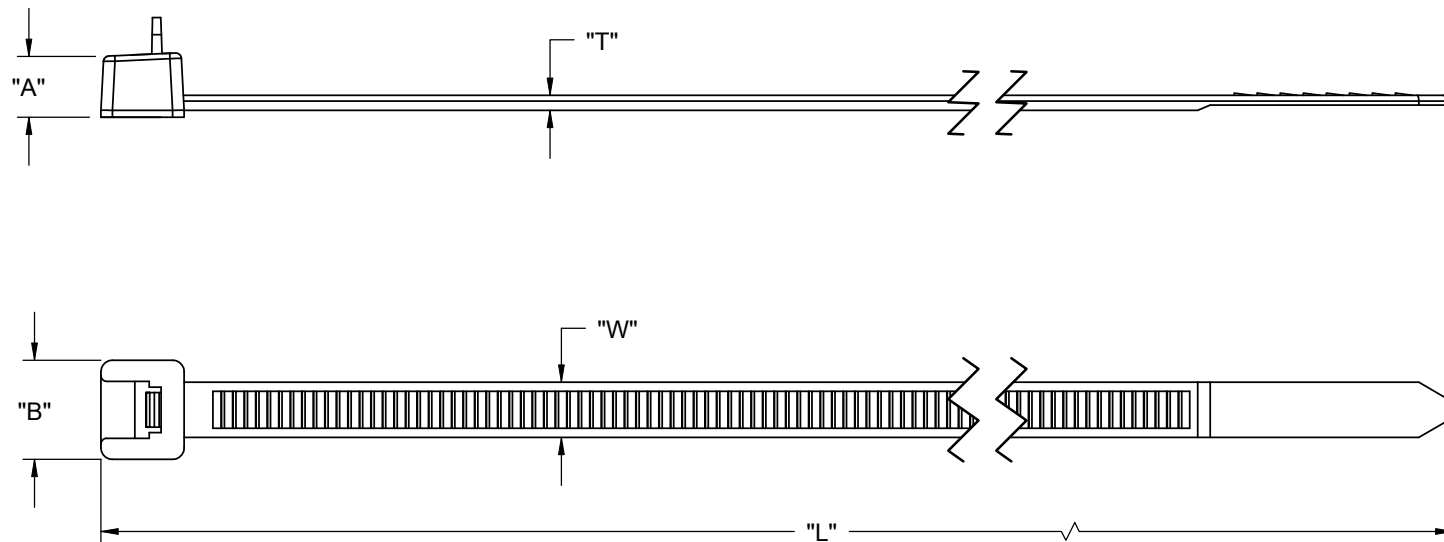


PART NO.	MAX BUNDLE DIA.	"L" LENGTH APPROX.	"W" WIDTH REF	"T" THICKNESS REF	"A"	"B"	MIN LOOP TENSILE
WIT-50SR	1-1/2 [38.1]	6 [152.4]	.19 [4.8]	.05 [1.3]	.21 [5.3]	.31 [7.9]	50 lbf [22.7kgf]
WIT-50RR	2 [50.8]	8 [203.2]			.22 [5.6]	.34 [8.6]	
WIT-50LR	3 [76.2]	11-21/32 [295.9]					
WIT-120SR	2 [50.8]	8-1/2 [215.9]	.30 [7.6]	.07 [1.8]	.29 [7.4]	.51 [13]	120 lbf [54.4 kgf]
WIT-120RR	4-1/4 [108]	15 [381]					
WIT-120LR	5-7/8 [149.2]	21-1/4 [539.8]					



- NOTES:
- MATERIAL: NYLON 6/6 UL 94 V-2 (RMS-01).
COLOR: NATURAL.
 - MATERIAL: UV STABILIZED NYLON 6/6 UL 94 V-2 (RMS-46).
COLOR BLACK.
TO ORDER USE P/N: WIT-XXX-UVB.
 - MATERIAL: NYLON 6/6 UL 94 V-0 (RMS-75), COLOR NATURAL.
AVAILABLE BY SPECIAL ORDER ONLY.
TO ORDER USE PART P/N: WIT-XXX-V0
 - COLORS: GREEN (-GN), BLUE (-BL), YELLOW (-YL)
AND RED (-RD) AVAILABLE BY SPECIAL ORDER ONLY.
TO ORDER ADD COLOR SUFFIX TO PART NO.

REV.	DESCRIPTION	ENGR.	DATE
E	SEE CO 200161 FOR CHANGES	SK	04/15/08
D	REDRAWN, SEE CO 200085 FOR CHANGES	SK	12/07/07
-	SEE ENGINEERING FOR REV A-C	---	-----

TITLE: RELEASABLE WIRE TIES				DWG IN IN [MM]		FINAL	
CREATED USING SOLIDWORKS	FILE #: WIT-XXXXR	DWN: S.K.	APP: D.Z.	PART #			
TOLERANCES UNLESS NOTED .XX=±.010 .XXX=±.005 FRAC.=±1/64 ANG.=±1°	SHEET: 1 OF 1 SHEET SIZE: B	DT: 12/07/07	CHKD: R.T.	SEE TABLE		PRINT TYPE	
RE: RICHCO INC.		RICHCO, INC. ENG@RICHCO-INC.COM (773) 539-4060				CA	

X-ON Electronics

Largest Supplier of Electrical and Electronic Components

Click to view similar products for [Cable Ties](#) category:

Click to view products by [Essentra](#) manufacturer:

Other Similar products are found below :

[65034-C](#) [65037-C](#) [770-1751-10](#) [20093-0](#) [SF600-120X](#) [SJ3518FR-1x50](#) [SJ3526N BLACK 58" X 50YD](#) [SJ3571](#) [SJ-3571-1"x50yd-Black](#) [34-455-C](#) [TYZ528M](#) [34-463-C](#) [URT20S-M](#) [06226](#) [08600-0](#) [08913-0](#) [08376-0](#) [10036-0](#) [10037-0](#) [10325-0](#) [10362-0](#) [561-EZ250](#) [SJ3519FR](#) [BLACK 1X50](#) [SJ3527N-Beige-2"x50yd](#) [SJ3527N-LOOP-BLACK-1](#) [SJ3572-2"x50yd-Black](#) [CF5625-000](#) [65004-C](#) [65005-C](#) [65036-C](#) [157-00039](#) [770-1708](#) [770-1753-10](#) [65035-C](#) [770-1752](#) [08386-0](#) [10431-0](#) [10620-0](#) [10345-0](#) [08416-0](#) [08384-0](#) [08401-0](#) [08664-0](#) [10425-0](#) [08470-0](#) [13120B](#) [561-EZ1750](#) [08471-0](#) [10001-0](#) [10327-0](#)