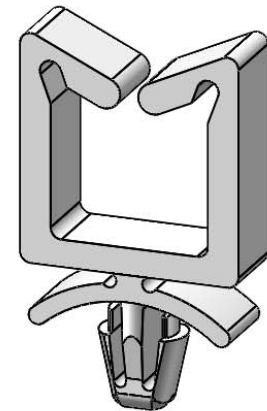
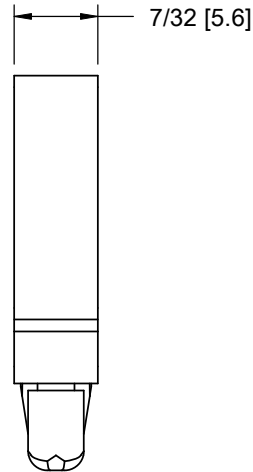
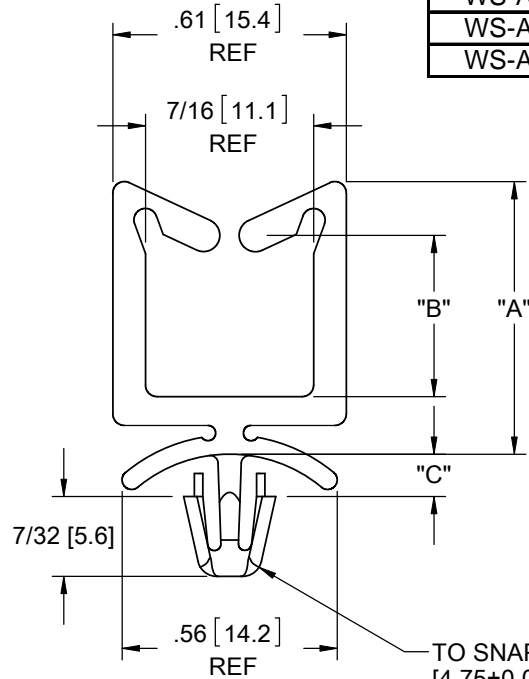


PART NO.		DIM. "A" REF	DIM. "B" REF	DIM. "C" REF	PANEL THICKNESS
NYLON 6/6 UL 94 V-2 (RMS-01)	NYLON 6/6 UL 94 V-0 (RMS-19)				
WS-A-1-01	WS-A-1-19	.52 [13.2]	.19 [4.8]	.11 [2.8]	1/16 [1.6]
WS-A-2-01	WS-A-2-19	.71 [18]	.38 [9.7]		
WS-A-3-01	WS-A-3-19	1.07 [27.2]	.74 [18.8]		
WS-A-4-01	WS-A-4-19	1.38 [35]	1.05 [26.7]		
WS-A-2-1-01	WS-A-2-1-19	.52 [13.2]	.19 [4.8]	.15 [3.8]	1/8 [3.2]
WS-A-2-2-01	WS-A-2-2-19	.71 [18]	.38 [9.7]		
WS-A-2-3-01	WS-A-2-3-19	1.07 [27.2]	.74 [18.8]		
WS-A-2-4-01	WS-A-2-4-19	1.38 [35]	1.05 [26.7]		



- NOTES:
 1. COLOR: NATURAL.
 2. ALTERNATE UNITS FOR REFERENCE ONLY.
 3. MATERIAL: NYLON 6/6 UVB (RMS-46).
 COLOR BLACK. AVAILABLE BY SPECIAL ORDER ONLY.
 TO ORDER REPLACE "-01" WITH "-UVB".

TO SNAP-LOCK IN A .187±.003
 [4.75±0.08] DIA. HOLE, IN A
 PANEL THICKNESS INDICATED

REV.			DESCRIPTION			ENGR. DATE			TITLE: WIRE SADDLE W/ ARROWHEAD			DWG IN IN [MM]		FINAL		PRINT TYPE			
F	SEE CO 200341 FOR CHANGES	SK	03/17/09	FILE #:	WS-A	DWN:	SK	APP:	RT	PART #		SEE TABLE		PRINT TYPE		CA			
E	SEE CO 200033 FOR CHANGES	SK	09/25/07	SHEET:	1 OF 1	SHEET SIZE:	A	DT:	06/13/07	CHKD:	RG	RE:		RICHCO, INC.		RICHCO, INC.			
D	REDRAWN, SEE ECN #1333 FOR CHANGES	SK	06/13/07	TOLERANCES UNLESS NOTED			RE:			RICHCO, INC.			ENG@RICHCO-INC.COM		(773) 539-4060				
-	SEE ENGINEERING FOR REV A-C	-	----	XX=±.010 XXX=±.005 FRAC.=±1/64 ANG.=±1°			RICHCO, INC.			RICHCO, INC.			ENG@RICHCO-INC.COM		(773) 539-4060				
REV.	DESCRIPTION	ENGR.	DATE	CREATED USING SOLIDWORKS			FILE #:			DWN:			APP:			DWG IN IN [MM]		FINAL	

X-ON Electronics

Largest Supplier of Electrical and Electronic Components

Click to view similar products for [Cable Mounting & Accessories](#) category:

Click to view products by [ESSENTRA](#) manufacturer:

Other Similar products are found below :

[582603-1](#) [009333-000](#) [727844N003](#) [747](#) [809090N001](#) [843188-000](#) [8666](#) [967279N002](#) [DB-11](#) [1300840039](#) [1300900096](#) [1301800416](#)
[1302264450](#) [1300830184](#) [1300830729](#) [1300900039](#) [1301580036](#) [1301850553](#) [1301860939](#) [1302000074](#) [1302261315](#) [1302264431](#)
[1337706-2](#) [APA18-AK](#) [1724](#) [1-787307-1](#) [185491N001](#) [1868](#) [HP-6N](#) [C-202-C](#) [202C221-13-0](#) [CA7308-000](#) [8S23-75FR-CS8184](#) [2684](#) [9648](#)
[3089](#) [988382-000](#) [A72821-000](#) [AA401](#) [173506-000](#) [1823](#) [202C292-13-0](#) [202C302-13-0](#) [2109](#) [300625](#) [3330](#) [3412](#) [356247-1](#) [M9142](#)
[M9143](#)