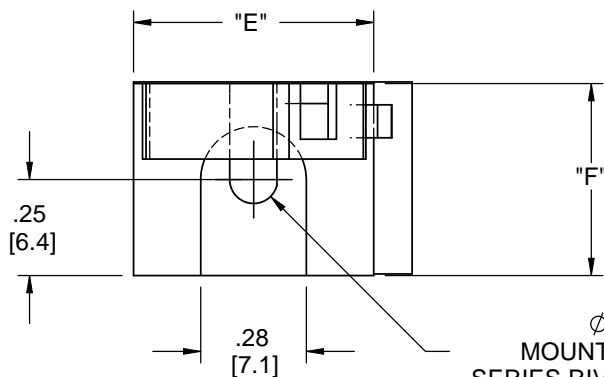
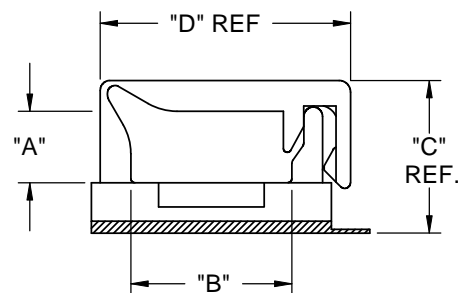
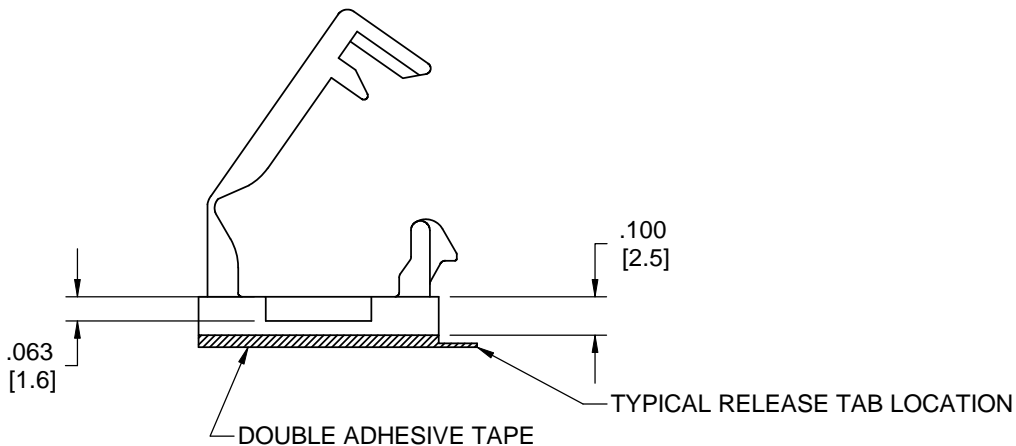
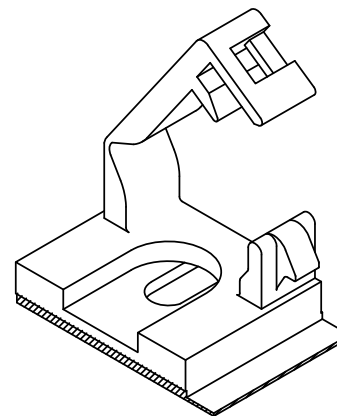


Part Number	DIM "A"	DIM "B"	DIM "C"	DIM "D"	DIM "E"	DIM "F"	MOUNTING
WSLTB-01A-19A-RT	.19 [4.8]	.42 [10.7]	.41 [10.4]	.66 [16.8]	.63 [16.0]	.50 [12.7]	ACRYLIC ADHESIVE
WSLTB-01A-19	.19 [4.8]	.42 [10.7]	.38 [9.6]	.66 [16.8]	.63 [16.0]		SRX-3XXX RIVET
WSLTB-02A-19A-RT	.39 [10.0]	.64 [16.3]	.61 [15.5]	.88 [22.4]	.85 [21.5]		ACRYLIC ADHESIVE
WSLTB-02A-19	.39 [10.0]	.64 [16.3]	.58 [14.7]	.88 [22.4]	.85 [21.5]		SRX-3XXX RIVET



$\phi .125 [3.2]$
MOUNT WITH SR-3000
SERIES RIVETS OR #4 SCREW



NOTES:

1. MATERIAL: FLAME RETARDANT V-0 NYLON (RMS-19)
V-2 NYLON (RMS-01) BY SPECIAL REQUEST
2. COLOR: NATURAL
3. ADHESIVE: 1/32 ACRYLIC ADHESIVE (RMS-15).
4. TYPICAL OVERHANG OF TAPE FROM EDGE OF BASE TO BE .079 [2] MAX.

TITLE: WIRE SADDLE LOCKING TOP ON BASE				DWG IN IN [MM]	FINAL
CREATED USING SOLIDWORKS	FILE #: WSLTB	DWN: DLC	APP: DLC		
TOLERANCES UNLESS NOTED .XX=±.010 .XXX=±.005 FRAC.=±1/64 ANG.=±1°	SHEET: 1 OF 1	SHEET SIZE: A	DT: 3/20/03	CHKD: DJZ	PART #
RE: RICHCO-INC --	RICHCO, INC. ENG@RICHCO-INC.COM (773) 539-4060		SEE CHART		PRINT TYPE CA

REV.	DESCRIPTION	ENGR.	DATE
C	SEE CO 200270 FOR CHANGES	SK	10/29/08
B	SEE CO 200096 FOR CHANGES	SK	01/02/08
A	RELEASED FOR PRODUCTION	SM	05.21.03

X-ON Electronics

Largest Supplier of Electrical and Electronic Components

Click to view similar products for [Cable Mounting & Accessories](#) category:

Click to view products by [Essentra](#) manufacturer:

Other Similar products are found below :

[8945](#) [8950](#) [8961](#) [582603-1](#) [009333-000](#) [CXA-0069](#) [D-150-0175CS2902](#) [70.060.1628.0](#) [727844N003](#) [770-1102](#) [770-1204](#) [770-1205-10](#)
[770-1301-10](#) [770-1306](#) [770-1422](#) [770-1602](#) [770-1603](#) [770-1604](#) [770-1607](#) [790-1002](#) [809090N001](#) [843188-000](#) [843459N001](#) [8666](#)
[PVC10512-BLACK-500](#) [PVC1056-BLACK-500](#) [DB-11](#) [1301800416](#) [1302030548](#) [1302264450](#) [1300830184](#) [1300830729](#) [1300900039](#)
[1301580036](#) [1301850553](#) [1301860900](#) [1301860939](#) [1302000074](#) [1302261315](#) [1302264431](#) [APA18-AK](#) [MSK-0001](#) [1-787307-1](#) [1868](#) [HP-](#)
[6N](#) [C-202-C](#) [202C221-13-0](#) [CA7308-000](#) [229408-1](#) [KC-201](#)