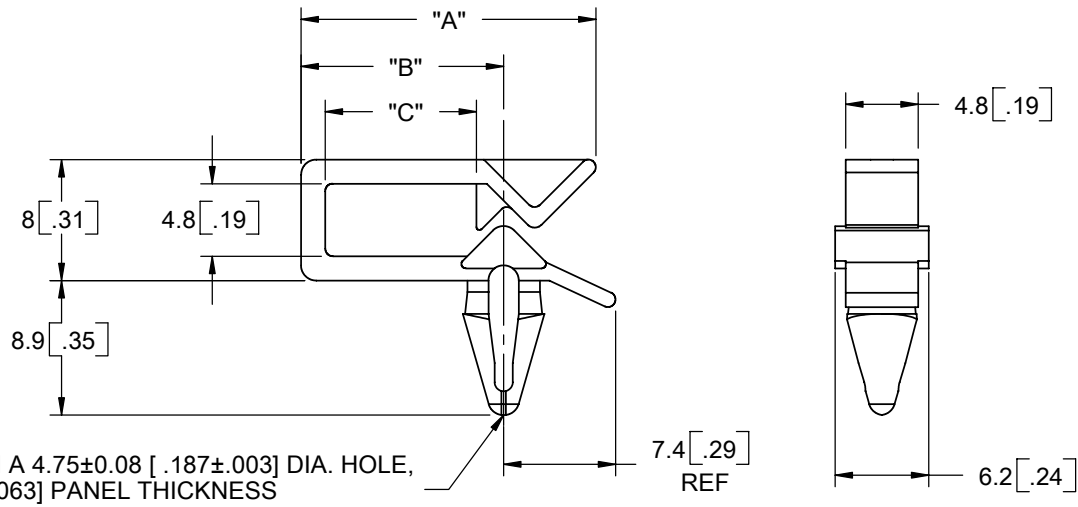
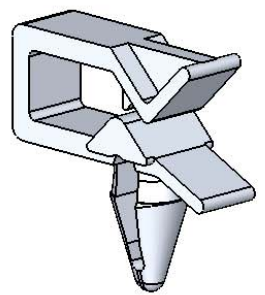


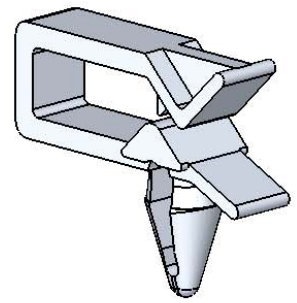
PART NO.	DIM. "A"	DIM. "B"	DIM. "C"
WS-SE2-1-01	16.6 [.65]	10.5 [.41]	7.1 [.28]
WS-SE2-2-01	19.5 [.77]	13.4 [.53]	10 [.39]



TO SNAP-LOCK IN A 4.75±0.08 [.187±.003] DIA. HOLE,  
IN A 0.5-1.6 [.020-.063] PANEL THICKNESS



WS-SE2-1



WS-SE2-2

- NOTES:
- MATERIAL: NYLON 6/6 UL 94 V-2 (RMS-01).  
NYLON 6/6 UL 94 V-0 (RMS-19), AVAILABLE BY SPECIAL ORDER ONLY.  
TO ORDER REPLACE "-01" WITH "-19"
  - COLOR: NATURAL.
  - ALTERNATE UNITS FOR REFERENCE ONLY.

TITLE: <b>WIRE SADDLE SIDE ENTRY</b>						DWG IN MM [IN]	
CREATED USING SOLIDWORKS	FILE #: WS-SE2-X	DWN: SK	APP: RT	FINAL			
GENERAL TOLERANCE UNLESS OTHERWISE NOTED ±0.25 ANG.=±1°	SHEET: 1 OF 1	SHEET SIZE: A	DT: 07/06/06	CHKD: SJ	PART #		PRINT TYPE
RE: RICHCO, INC.		RICHCO, INC. ENG@RICHCO-INC.COM (773) 539-4060		SEE TABLE		CA	

REV.	DESCRIPTION	ENGR.	DATE
E	SEE ECN #1216 FOR CHANGES	SK	09/15/06
D	SEE ECN #1191 FOR CHANGES	SK	07/06/06
-	SEE ENGINEERING FOR REV A-C	-	---

## X-ON Electronics

Largest Supplier of Electrical and Electronic Components

*Click to view similar products for [Cable Mounting & Accessories](#) category:*

*Click to view products by [ESSENTRA](#) manufacturer:*

Other Similar products are found below :

[582603-1](#) [009333-000](#) [727844N003](#) [747](#) [809090N001](#) [843188-000](#) [8666](#) [967279N002](#) [DB-11](#) [1300840039](#) [1300900096](#) [1301800416](#)  
[1302264450](#) [1300830184](#) [1300830729](#) [1300900039](#) [1301580036](#) [1301850553](#) [1301860939](#) [1302000074](#) [1302261315](#) [1302264431](#)  
[1337706-2](#) [APA18-AK](#) [1724](#) [1-787307-1](#) [185491N001](#) [1868](#) [HP-6N](#) [C-202-C](#) [202C221-13-0](#) [CA7308-000](#) [8S23-75FR-CS8184](#) [2684](#) [9648](#)  
[3089](#) [988382-000](#) [A72821-000](#) [AA401](#) [173506-000](#) [1823](#) [202C292-13-0](#) [202C302-13-0](#) [2109](#) [300625](#) [3330](#) [3412](#) [356247-1](#) [M9142](#)  
[M9143](#)