



Reference 8-Channel Audio DAC

Datasheet

ES9008

OVERVIEW

The Sabre Reference (ES9008) Highest Performance Audio DAC is the world's first 8-channel audio DAC to bring true professional digital audio to the mass consumer home entertainment market.

Using ESS' patented HyperStream® architecture and patent-pending Time Domain Jitter Eliminator, the Sabre Reference Audio DAC outperforms the best audiophile equipment with unprecedented 134dB DNR and -118dB THD+N, delivering true studio quality audio to digital audio applications such as Blu-ray, SACD, DVD-Audio, DVD, CD, home theatre, set top boxes and digital TV.

The Sabre Reference's flexible input architecture accepts SPDIF or PCM data from 16-24 bits up to a 192 kHz sampling rate, and also accepts 1-bit DSD data supporting native SACD audio.

The Sabre Reference sets a new standard for high quality audio performance in a cost effective, compact, easy to use form factor for today's most demanding digital audio applications.

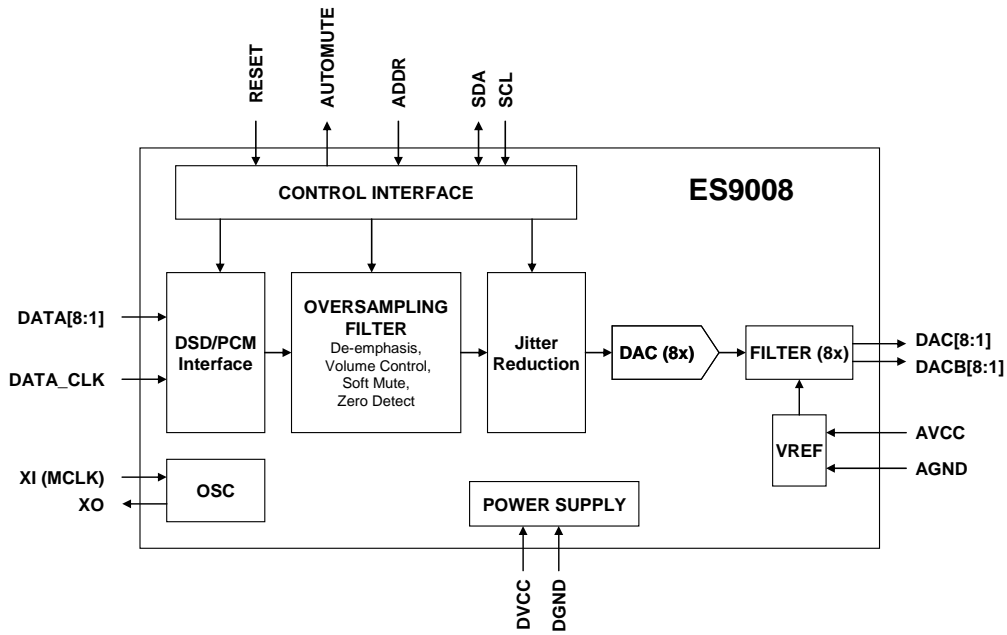
FEATURE	BENEFIT
<i>Patented</i> HyperStream® Architecture <ul style="list-style-type: none"> ○ DNR: +134dB (mono mode) ○ DNR: +128dB (8-channel mode) ○ THD+N: -118dB 	Unprecedented dynamic range and low distortion allowing true reproduction of audio as it is mastered at recording studio
<i>Patent-pending</i> Time Domain Jitter Reduction	Unmatched audio clarity free from input clock jitter allowing simple system design and layout
48-bit accumulator and 28-bit processing	Distortion free signal processing
Auto-detect PCM / DSD converter	Universal (e.g. DVD / SACD) audio playback
8-channel DAC in 64-LQFP	Reduces PCB footprint and simplifies board layout
Low power (100mW for 8 channels)	Simplifies power supply design
Customizable output configuration	Mono, stereo, 4 or 8-channel output in current or voltage mode based on performance criterion
Universal digital input	All-digital SPDIF, PCM (I ² S, MSB / LSB justified 16-, 20- or 24-bit) or DSD input
Integrated DSP functions	Click-free soft mute and volume control Programmable filter characteristics for PCM / DSD Programmable Zero detect De-emphasis for 32kHz, 44.1kHz, and 48kHz sampling

APPLICATIONS

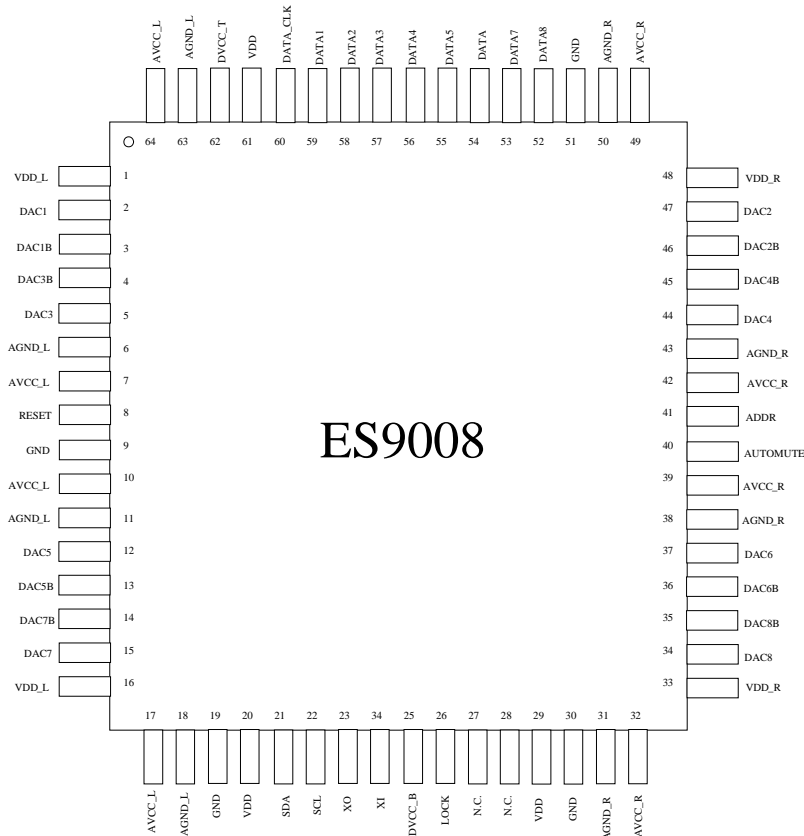
- Blu-ray players
- SACD / DVD-Audio players
- Audio receivers
- Home theater receivers
- Professional audio equipment



FUNCTIONAL BLOCK DIAGRAM



PIN LAYOUT



ES9008 Datasheet



PIN DESCRIPTION

Pin	Name	I/O	Description
1	VDD_L	-	Analog Power (+1.2V) for Left channels
2	DAC1	O	Differential Positive Analog Output 1
3	DAC1B	O	Differential Negative Analog Output 1
4	DAC3B	O	Differential Negative Analog Output 3
5	DAC3	O	Differential Positive Analog Output 3
6	AGND_L	-	Analog Ground for Left channels
7	AVCC_L	-	Analog Power (+3.3V) for Left channels
8	RESET	I	Global Reset
9	GND	-	Digital Ground
10	AVCC_L	-	Analog Power (+3.3V) for Left channels
11	AGND_L	-	Analog Ground for Left channels
12	DAC5	O	Differential Positive Analog Output 5
13	DAC5B	O	Differential Negative Analog Output 5
14	DAC7B	O	Differential Negative Analog Output 7
15	DAC7	O	Differential Positive Analog Output 7
16	VDD_L	-	Analog Power (+1.2V) for Left channels
17	AVCC_L	-	Analog Power (+3.3V) for Left channels
18	AGND_L	-	Analog Ground for Left channels
19	GND	-	Digital Ground
20	VDD	-	Digital Power (+1.2V) for core of chip
21	SDA	I/O	I ² C Serial Data
22	SCL	I	I ² C Serial Clock
23	XO	O	Xtal oscillator output
24	XI (MCLK)	I	Xtal oscillator input (Note: can also just be a clock input)
25	DVCC_B	-	Digital Power (+3.3V) for bottom pad ring of chip
26	LOCK	O	Lock output
27	N.C.		Not connected (leave open)
28	N.C.		Not connected (leave open)
29	VDD	-	Digital Power (+1.2V) for core of chip
30	GND	-	Digital Ground
31	AGND_R	-	Analog Ground for Right channels
32	AVCC_R	-	Analog Power (+3.3V) for Right channels
33	VDD_R	-	Analog Power (+1.2V) for Right channels
34	DAC8	O	Differential Positive Analog Output 8
35	DAC8B	O	Differential Negative Analog Output 8
36	DAC6B	O	Differential Negative Analog Output 6
37	DAC6	O	Differential Positive Analog Output 6
38	AGND_R	-	Analog Ground for Right channels
39	AVCC_R	-	Analog Power (+3.3V) for Right channels



Pin	Name	I/O	Description
40	AUTMOMUTE	O	Automute
41	ADDR	I	Chip Address Select
42	AVCC_R	-	Analog Power (+3.3V) for Right channels
43	AGND_R	-	Analog Ground for Right channels
44	DAC4	O	Differential Positive Analog Output 4
45	DAC4B	O	Differential Negative Analog Output 4
46	DAC2B	O	Differential Negative Analog Output 2
47	DAC2	O	Differential Positive Analog Output 2
48	VDD_R	-	Analog Power (+1.2V) for Right channels
49	AVCC_R	-	Analog Power (+3.3V) for Right channels
50	AGND_R	-	Analog Ground for Right channels
51	GND	-	Digital Ground
52	DATA8	I	DSD Data 8
53	DATA7	I	DSD Data 7
54	DATA6	I	DSD Data 6
55	DATA5	I	DSD Data 5 OR PCM Data CH7 / CH8
56	DATA4	I	DSD Data 4 OR PCM Data CH5 / CH6
57	DATA3	I	DSD Data 3 OR PCM Data CH3 / CH4
58	DATA2	I	DSD Data 2 OR PCM Data CH1 / CH2
59	DATA1	I	DSD Data 1 OR PCM Frame Clock OR SPDIF Input
60	DATA_CLK	I	PCM Bit Clock OR DSD Bit Clock
61	VDD	-	Digital Power (+1.2V) for core of chip
62	DVCC_T	-	Digital Power (+3.3V) for top pad ring of chip
63	AGND_L	-	Analog Ground for Left channels
64	AVCC_L	-	Analog Power (+3.3V) for Left channels

Table 1

5V Tolerant Pins

The following pins are 5V tolerant:

- DATA_CLK
- DATA 1-8
- SCL
- SDA
- RESET
- ADDR

ES9008 Datasheet



FUNCTIONAL DESCRIPTION

NOTATIONS for Sampling Rates

Mode	fs
DSD	DATA_CLK / 64
Serial (PCM) Normal Mode	DATA_CLK / 64
SPDIF	SPDIF Sampling Rate

PCM, SPDIF and DSD Pin Connections

The following tables show how the pins are used for PCM and DSD audio formats.

PCM Audio Format

Note: XI clock (MCLK) must be > 192 x fs when using PCM input (normal mode).

Pin Name	Description
DATA1	Frame clock
DATA[2:5]	8-channel PCM serial data
DATA_CLK	Bit clock for PCM audio format

Table 2

SPDIF Audio Format

Note: XI clock (MCLK) must be > 386 x fs when using SPDIF input.

Pin Name	Description
DATA1	SPDIF input

Table 3

DSD Audio Format

Note: XI clock (MCLK) must be > 192 x fs when using DSD input.

Pin Name	Description
DATA[1:8]	8-channel DSD data input
DATA_CLK	Bit clock for DSD data input

Table 4

Feature Description

Soft Mute

When Mute is asserted the output signal will ramp to the $-\infty$ level. When Mute is reset the attenuation level will ramp back up to the previous level set by the volume control register. Asserting Mute will not change the value of the volume control register. The ramp rate is $0.00834 \times fs$ dB/s, where $fs = \text{DATA_CLK} / 64$ in PCM serial or DSD modes, or SPDIF sampling rate in SPDIF mode.



Zero Detect

The use of the zero detect function to drive an external mute circuit is not required, but is recommended for designs that need the absolute maximum signal-to-noise ratios on an idle channel.

- In PCM serial mode, the Zero Detect output pin “AUTOMUTE” will become active once the audio data is continuously below the threshold set by <Register Automute_lev>, for a length of time defined by $2096896 / (<Register\#9> \times DATA_CLK)$ Seconds.
- In SPDIF mode, the Zero Detect output pin “AUTOMUTE” will become active once the audio data is continuously below the threshold set by <Register Automute_lev>, for a length of time defined by $2096896 / (<Register\#9> \times (64 \times fs))$ Seconds, where fs is the SPDIF sampling rate.
- In the DSD Mode, the Zero Detect output pin “AUTOMUTE” will become active when any 8 consecutive values in the DSD stream have as many 1's and 0's for a length of time defined by $2096896 / (<Register\ Automute_time> \times DATA_CLK)$ Seconds. The following table summarizes the conditions.

Mode	Detection Condition	Time
PCM	Data is continuously lower than <Register Automute_lev >	$2096896 / (<Register\ Automute_time> \times DATA_CLK)$
SPDIF	Data is continuously lower than <Register Automute_lev >	$2096896 / (<Register\ Automute_time> \times (64 \times fs))$ where FS is the SPDIF sampling rate
DSD	Equal number of 1s and 0s in every 8 bits of data	$2096896 / (<Register\ Automute_time> \times DATA_CLK)$

Table5

De-emphasis

The de-emphasis feature is included for audio data that has utilized the 50/15μs pre-emphasis for noise reduction. There are three de-emphasis filters, one each for 32kHz, 44.1kHz, and 48kHz.

Volume Control

Each output channel has its own attenuation circuit. The attenuation for each channel is controlled independently. Each channel can be attenuated from 0dB to -127dB in 0.5dB steps.

Each 0.5dB step transition takes 64 intermediate levels. The result being that the level changes are done using small enough steps so that no switching noise occurs during the transition of the volume control. When a new volume level is set, the attenuation circuit will ramp softly to the new level.

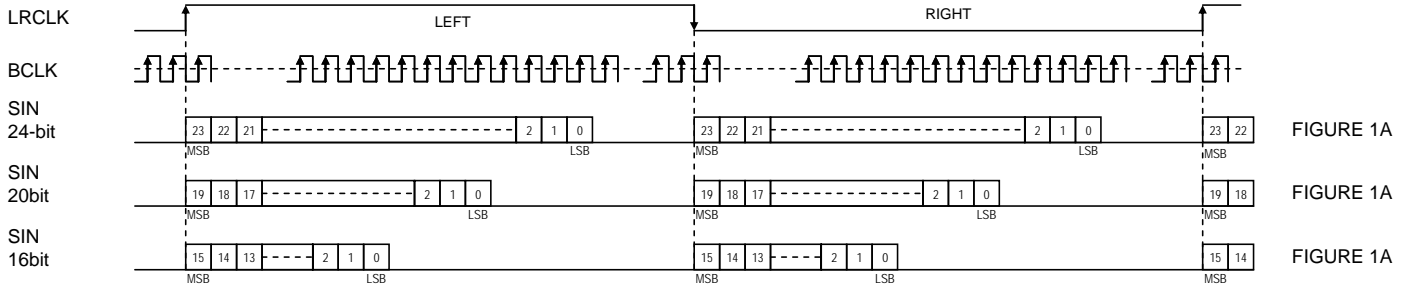
PCM Audio Interface Formats

Several interface formats are provided so that direct connection to common audio processors is possible. The available formats and their accompanying diagrams are listed in the following table. The audio interface format can be set by programming the registers.

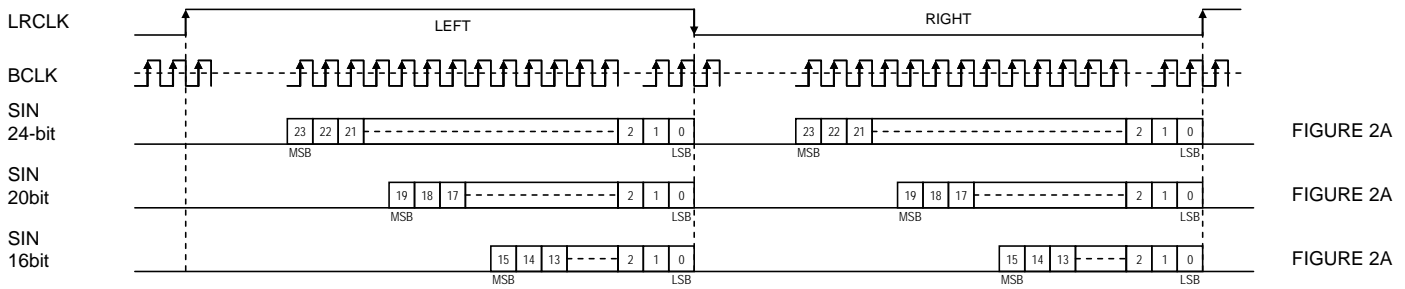
Format	Description	Figure
0	MSB First, Left Justified, up to 24-bit data	1A
1	I ² S, up to 24-bit data	2A
2	MSB First, Right Justified, 24-bit data	3A
3	MSB First, Right Justified, 20-bit data	3B
4	MSB First, Right Justified, 16-bit data	3C
5	DSD Normal Mode	4A
6	DSD Phase Mode	4B

Table 6

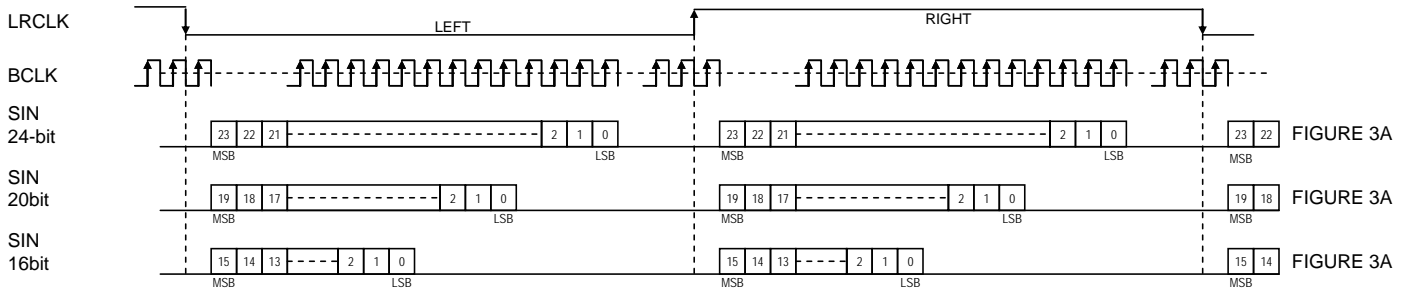
ES9008 Datasheet



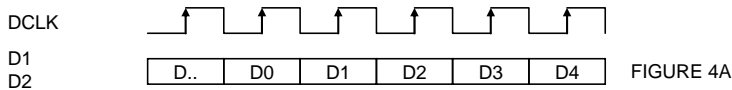
LEFT JUSTIFIED FORMAT



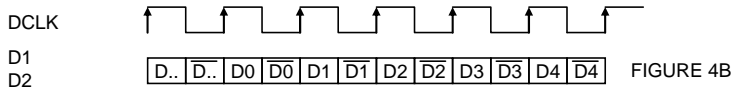
RIGHT JUSTIFIED FORMAT



I2S FORMAT



DSD NORMAL MODE



DSD PHASE MODE



System Clock (XI / MCLK)

A system clock is required for proper operation of the digital filters and modulation circuitry. The system clock must be greater than 192 x fs for SERIAL / DSD inputs, or greater than 386 x fs for SPDIF input.

Data Type	Valid MCLK Frequencies
DSD Data	76.9MHz > MCLK > 192 x fs , fs = 2.8224MHz / 64
Serial Mode	76.9MHz > MCLK > 192 x fs
SPDIF Data	76.9MHz > MCLK > 386 x fs

Data Clock

This must be 64 x fs for SERIAL / DSD modes, and is not required for SPDIF mode.

Digital Filters

There are numerous applications for a stereo DAC so for added flexibility; two digital filter settings are possible, sharp roll-off and a slow roll-off for PCM mode. For DSD mode, there are 4 available filters with cutoffs at 47kHz, 50kHz, 60kHz, and 70kHz.

Serial Control Interface

The registers inside the chip are programmed via an I²C interface. The diagram below shows the timing for this interface. The chip address can be set to 2 different settings via the “ADDR” pin. The table below summarizes this.

ADDR	CHIP ADDRESS
0	0x90
1	0x92

Table 7

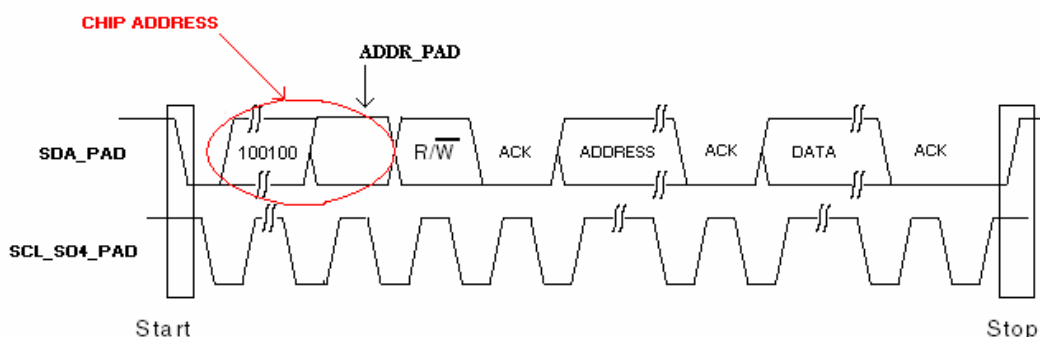


Diagram 1

Notes:

1. The “ADDR” pin is used to create the CHIP ADDRESS. (0x90, 0x92)
2. The first byte after the chip address is the “ADDRESS” this is the register address.
3. The second byte after the CHIP ADDRESS is the “DATA” this is the data to be programmed into the register at the previous “ADDRESS”.
4. Compatible with I²C-bus specification version 2.1 Standard-mode / Fast-mode.

ES9008 Datasheet



Register Settings

Register #0: Volume of DAC0 (default = 8'd0)

Volume in dB = $-\text{REG_VALUE} / 2$

Register #1: Volume of DAC1 (default = 8'd0)

Volume in dB = $-\text{REG_VALUE} / 2$

Register #2: Volume of DAC2 (default = 8'd0)

Volume in dB = $-\text{REG_VALUE} / 2$

Register #3: Volume of DAC3 (default = 8'd0)

Volume in dB = $-\text{REG_VALUE} / 2$

Register #4: Volume of DAC4 (default = 8'd0)

Volume in dB = $-\text{REG_VALUE} / 2$

Register #5: Volume of DAC5 (default = 8'd0)

Volume in dB = $-\text{REG_VALUE} / 2$

Register #6: Volume of DAC6 (default = 8'd0)

Volume in dB = $-\text{REG_VALUE} / 2$

Register #7: Volume of DAC7 (default = 8'd0)

Volume in dB = $-\text{REG_VALUE} / 2$

Register #8: Automute_lev (default = 1'b0,7'd104)

[7]: SPDIF_ENABLE.

1'b0 = Use either I²S or DSD input

1'b1 = Use SPDIF input

[6:0]: Automute trigger point in dB = $-\text{REG_VALUE}$

Register #9: Automute_time (default = 8'd4)

Larger REG_VALUE = less time.

Smaller REG_VALUE = longer time.

Time in Seconds = $2096896 / (\text{REG_VALUE} \times \text{DATA_CLK})$.



Register #10: Mode Control 1 **(default = 8'b00001110)**

Default is 24bit, I²S, NO-DEEMP, UNMUTE
[7:6]: 24 / 20 / 16 Bit for Serial Data Modes.

2'b00 = 24Bit

2'b01 = 20Bit

2'b10 = 16Bit

2'b11 = 24Bit

[5:4]: LJ / I²S / RJ Serial Data Modes.

2'b00 = I²S

2'b01 = LJ

2'b10 = RJ

2'b11 = I²S

[3]: RESERVED

- o Must be set to 1'b1 for normal operation.

[2]: JITTER_REDUCTION_ENABLE.

1'b0 = Bypass and stop JITTER_REDUCTION.

1'b1 = Use JITTER_REDUCTION.

[1]: BYPASS_DEEMPHASIS_FILTER

1'b0 = Use De-emphasize Filter

1'b1 = Bypass De-emphasize Filter

[0]: MUTE_DAC'S

1'b0 = Unmute All DAC's

1'b1 = Mute All DAC's

Register #11: Mode Control 2 **(default = 8'b10000101)**

[7]: RESERVED (must be set to 1'b1 for normal operation).

- o Must be set to 1'b1 for normal operation.

[6:5]: RESERVED.

[4:2]: DPLL_BANDWIDTH

3'b000 => No Bandwidth

3'b001 => Lowest Bandwidth

3'b010 => Low Bandwidth

3'b011 => Med-Low Bandwidth

3'b100 => Medium Bandwidth

3'b101 => Med-High Bandwidth

3'b110 => High Bandwidth

3'b111 => Highest Bandwidth

[1:0]: DE-EMPHASIS_DELECT

2'b00 = 32kHz

2'b01 = 44.1kHz

2'b10 = 48kHz

2'b11 = RESERVED

Register #12: Mode Control 3 **(default = 8'b00100000)**

[7:0]: RESERVED

- o Must be set to 8'b00100000 for normal operation.

ES9008 Datasheet



Register #13: Polarity

(default = 8'b00000000)

- [7]: POLARITY OF DAC8
 - 1'b0 = In-Phase
 - 1'b1 = Anti-Phase
- [6]: POLARITY OF DAC7
 - 1'b0 = In-Phase
 - 1'b1 = Anti-Phase
- [5]: POLARITY OF DAC6
 - 1'b0 = In-Phase
 - 1'b1 = Anti-Phase
- [4]: POLARITY OF DAC5
 - 1'b0 = In-Phase
 - 1'b1 = Anti-Phase
- [3]: POLARITY OF DAC4
 - 1'b0 = In-Phase
 - 1'b1 = Anti-Phase
- [2]: POLARITY OF DAC3
 - 1'b0 = In-Phase
 - 1'b1 = Anti-Phase
- [1]: POLARITY OF DAC2
 - 1'b0 = In-Phase
 - 1'b1 = Anti-Phase
- [0]: POLARITY OF DAC1
 - 1'b0 = In-Phase
 - 1'b1 = Anti-Phase

Register #14: DAC3/4/7/8 Source IIR Bandwidth, FIR Rolloff (default = 8'b00000011)

- [7]: SOURCE OF DAC8
 - 1'b0 = DAC8
 - 1'b1 = DAC6
- [6]: SOURCE OF DAC7
 - 1'b0 = DAC7
 - 1'b1 = DAC5
- [5]: SOURCE OF DAC4
 - 1'b0 = DAC4
 - 1'b1 = DAC2
- [4]: SOURCE OF DAC3
 - 1'b0 = DAC3
 - 1'b1 = DAC1
- [3]: RESERVED
 - o Must be set to 1'b1 for normal operation.
- [2:1]: IIR BANDWIDTH
 - 1'd0 = Normal
 - 1'd1 = 50k
 - 1'd2 = 60k
 - 1'd3 = 70k
- [0]: FIR ROLLOFF SPEED
 - 1'b0 = Slow Rolloff
 - 1'b1 = Fast Rolloff

Register #15: Mode Control 4

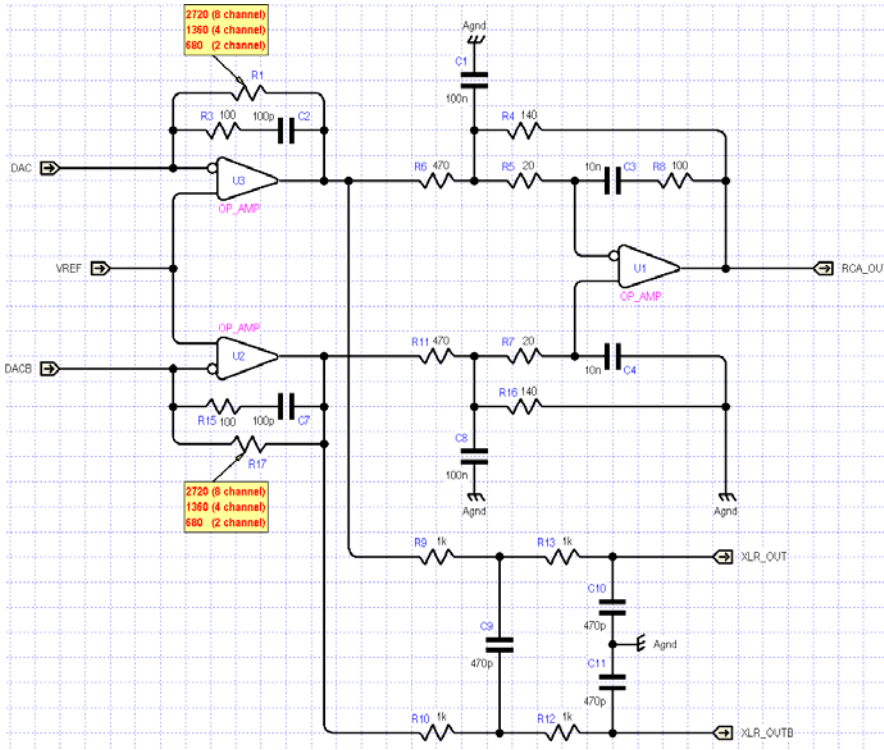
(default = 8'b01010101)

- [7:0]: RESERVED
 - o Must be set to 8'b00000000 for normal operation.



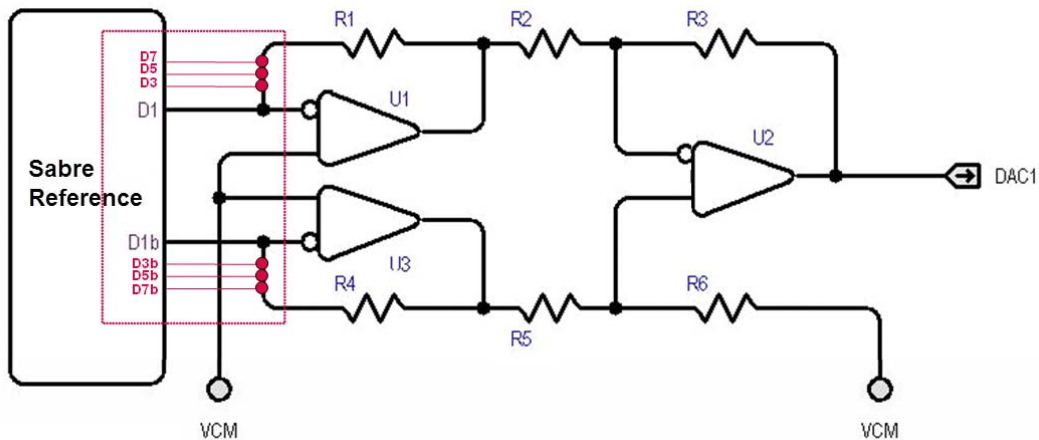
APPLICATION DIAGRAMS

Recommended Differential Current Mode External Op-Amp Circuit



Stereo Quad-differential Current Mode

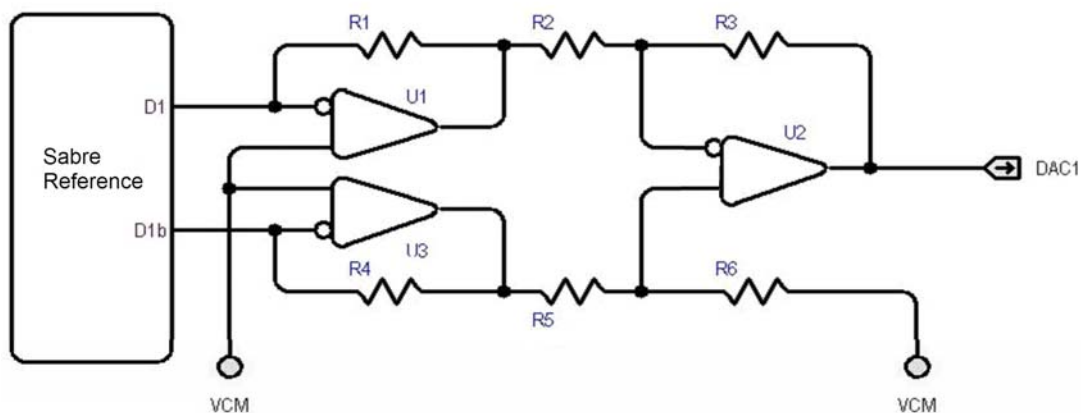
Sabre Reference in Stereo “Quad-Differential” Current Mode
(DNR: 132dN, THD: -118dB)





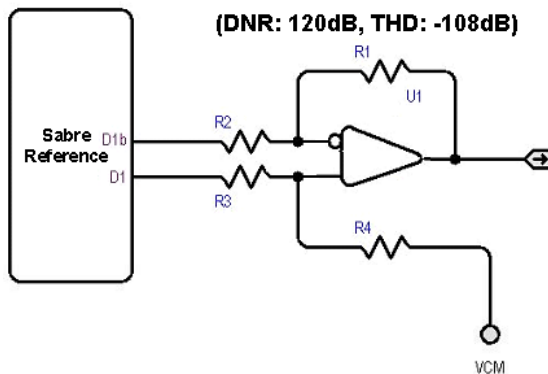
8-Channel Differential Current Mode

**Sabre Reference in 8-Channel Differential Current Mode
(DNR: 128dB, THD: -118dB)**



8-Channel Differential Voltage Mode

**Sabre Reference in voltage mode
(DNR: 120dB, THD: -108dB)**





ABSOLUTE MAXIMUM RATINGS

PARAMETER	RATING
Storage temperature	-65°C to +105°C
Voltage range for 5V tolerant pins	-0.5V to +5.5V
Voltage range for all other pins	-0.5V to (DVCC_T + 0.5V) or -0.5V to (DVCC_B + 0.5V)

WARNING: Stresses beyond those listed under "Absolute Maximum Ratings" may cause permanent damage to the device. These are stress ratings only and functional operation of the device at these or any other conditions beyond those indicated under "recommended operating conditions" is not implied. Exposure to absolute-maximum-rated conditions for extended periods may affect device reliability.

WARNING: Electrostatic Discharge (ESD) can damage this device. Proper procedures must be followed to avoid ESD when handling this device.

RECOMMENDED OPERATING CONDITIONS

PARAMETER	SYMBOL	CONDITIONS
Operating temperature	T _A	0°C to 70°C
Digital core supply voltage	VDD	1.2V ± 5%, 37mA nominal (Note 1)
Digital power supply voltage	DVCC_T, DVCC_B	3.3V ± 5%, 7mA nominal (Note 1)
Analog power supply voltage	AVCC_L, AVCC_R	3.3V ± 5%, 25mA nominal (Note 1)

Notes:

1. fs = 48kHz, MCLK = 40MHz, I²S input, output unloaded

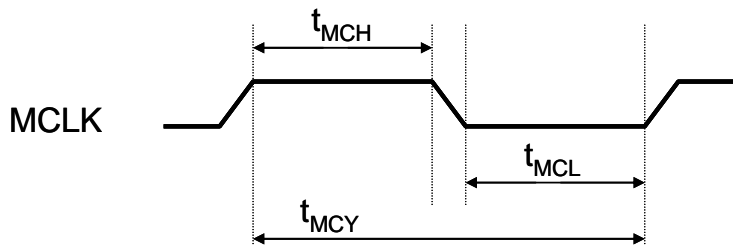
DC ELECTRICAL CHARACTERISTICS

SYMBOL	PARAMETER	MIN	MAX	UNIT	COMMENTS
V _{IH}	High-level input voltage	2.0	DVCC_T or DVCC_B	V	All inputs TTL levels except CLK and 5V tolerant input pins
		2.0	5.5	V	All 5V tolerant inputs
V _{IL}	Low-level input voltage	-0.3	0.8	V	All input TTL levels except CLK
V _{CLKH}	CLK high-level input	2.0	DVCC_B + 0.25	V	TTL level input
V _{CLKL}	CLK low-level input	-0.3	0.8	V	
V _{OH}	High-level output voltage	3.0		V	I _{OH} = 1mA
V _{OL}	Low-level-output voltage		0.45	V	I _{OL} = 4mA
I _{LI}	Input leakage current		±15	μA	
I _{LO}	Output leakage current		±15		
C _{IN}	Input capacitance		10	pF	fc = 1MHz
C _O	Input/output capacitance		12		
C _{CLK}	CLK capacitance		20	pF	fc = 1MHz

ES9008 Datasheet

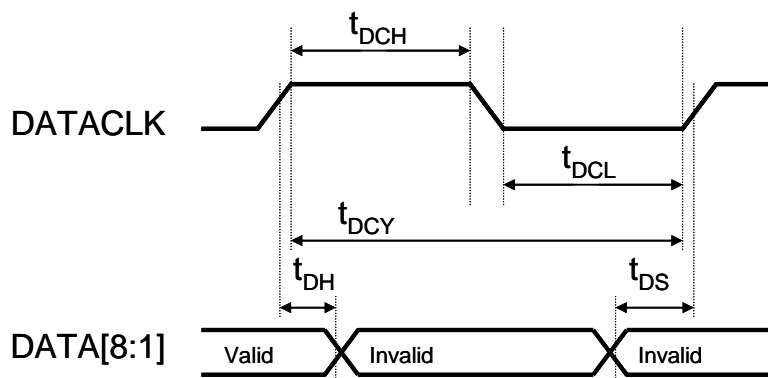


MCLK Timing



Parameter	Symbol	Min	Max	Unit
MCLK pulse width high	T_{MCH}	6		ns
MCLK pulse width low	T_{MCL}	6		ns
MCLK cycle time	T_{MCY}	13		ns
MCLK duty cycle		45:55	55:45	

Audio Interface Timing



Parameter	Symbol	Min	Max	Unit
DATA_CLK pulse width high	t_{DCH}	20		ns
DATA_CLK pulse width low	t_{DCL}	20		ns
DATA_CLK cycle time	t_{DCY}	44		ns
DATA_CLK duty cycle		45:55	55:45	
DATA set-up time to DATA_CLK rising edge	t_{DS}	2		ns
DATA hold time to DATA_CLK rising edge	t_{DH}	2		ns



ANALOG PERFORMANCE

Test Conditions (unless otherwise stated)

1. $T_A=25^{\circ}\text{C}$, $AVCC = +3.3\text{V}$, $DVCC = +1.2\text{V}$, $f_s = 44.1\text{kHz}$, $MCLK = 27\text{MHz}$ and 24-bit data
2. SNR/DNR: A-weighted over 20Hz-20kHz in averaging mode
3. THD+N: un-weighted over 20Hz-20kHz bandwidth

PARAMETER	CONDITIONS	MIN	TYP	MAX	UNIT
Resolution			24		Bits
MCLK ($f_s = \text{DATA CLK} / 64$ in DSD mode)	Serial / DSD in	192		262144	fs
	SPDIF in	386		4096	fs
DYNAMIC PERFORMANCE					
DNR (mono differential current mode)	-60dBFS		134		dB-A
DNR (stereo differential current mode)	-60dBFS		132		dB-A
DNR (8-ch differential current mode)	-60dBFS		128		dB-A
DNR (8-ch differential voltage mode)	-60dBFS		120		dB-A
THD+N (differential current mode)	0dBFS		-118		dB
THD+N (differential voltage mode)	0dBFS		-108		dB
PCM sampling frequency (fs)				200	kHz
Level Linearity Error	-115dBFS		± 0.3		dB
ANALOG OUTPUT					
Differential (+ or -) voltage output range	Full-scale out		3.05 ($0.924 \times AVCC$)		Vp-p
Differential (+ or -) voltage output offset	Bipolar zero out		1.65 ($AVCC / 2$)		V
Differential (+ or -) current output range (Note 1)	Full-scale out		3.903		mA p-p
Differential (+ or -) current output offset (Note 1)	Bipolar zero out to virtual ground at voltage V_g (V)		$2.112 - (1000 \times V_g) / 834$		mA
Digital Filter Performance					
De-emphasis error				± 0.2	dB
Mute Attenuation			127		dB
PCM Filter Characteristics (Sharp Roll Off)					
Pass band	$\pm 0.05\text{dB}$			0.454fs	Hz
	-3dB			0.49fs	Hz
Stop band	$< -115\text{dB}$	0.546fs			Hz
Group Delay			36 / fs		s
PCM Filter Characteristics (Slow Roll Off)					
Pass band	$\pm 0.05\text{dB}$			0.308fs	Hz
	-3dB			0.454fs	Hz
Stop band	$< -100\text{dB}$	0.814fs			Hz
Group Delay			9 / fs		s
DSD Filter Characteristics					
Pass band	-3dB		50 / 60 / 70		kHz
Stop band attenuation			18		dB/oct

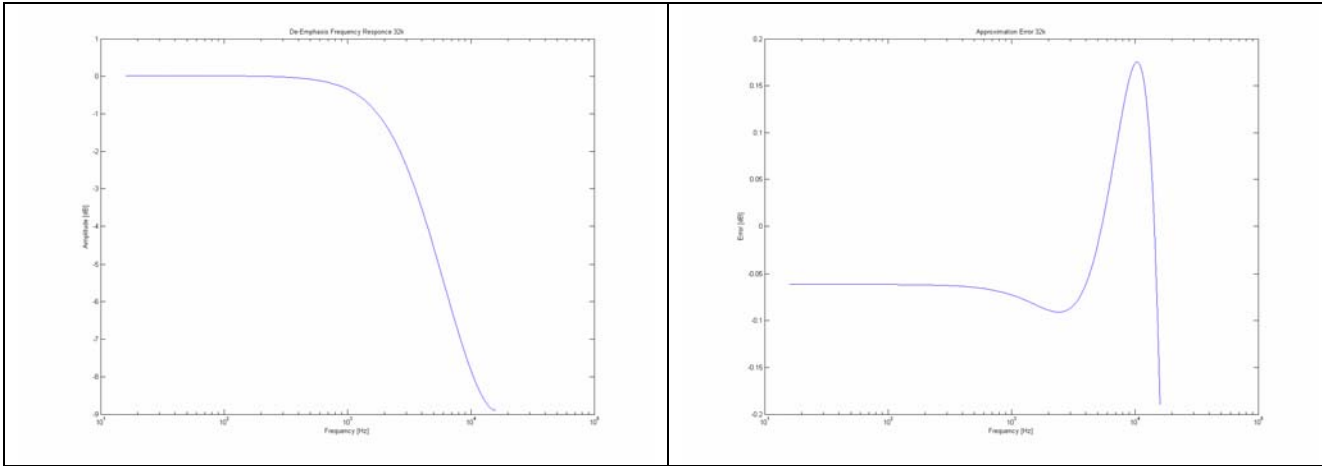
Notes:

1. Differential (+ or -) current output is equivalent to a differential (+ or -) voltage source in series with an $834\Omega \pm 11\%$ resistor. The differential (+ or -) voltage source has a peak-to-peak output range of $(0.924 \times AVCC) = 3.05\text{V}$ and an output offset of $(AVCC / 2) = 1.65\text{V}$ with $AVCC = 3.3\text{V}$.

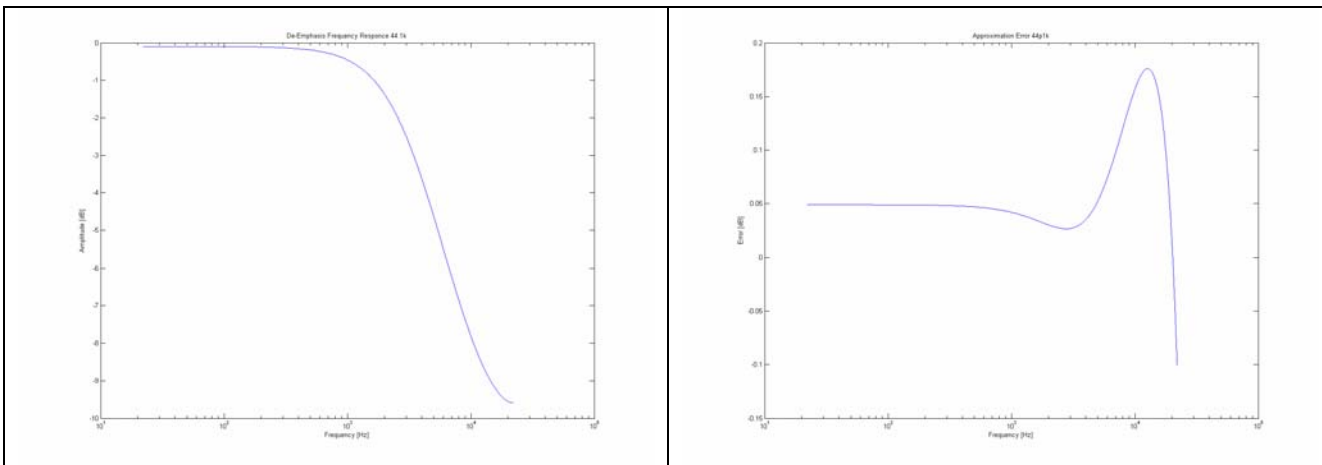
ES9008 Datasheet



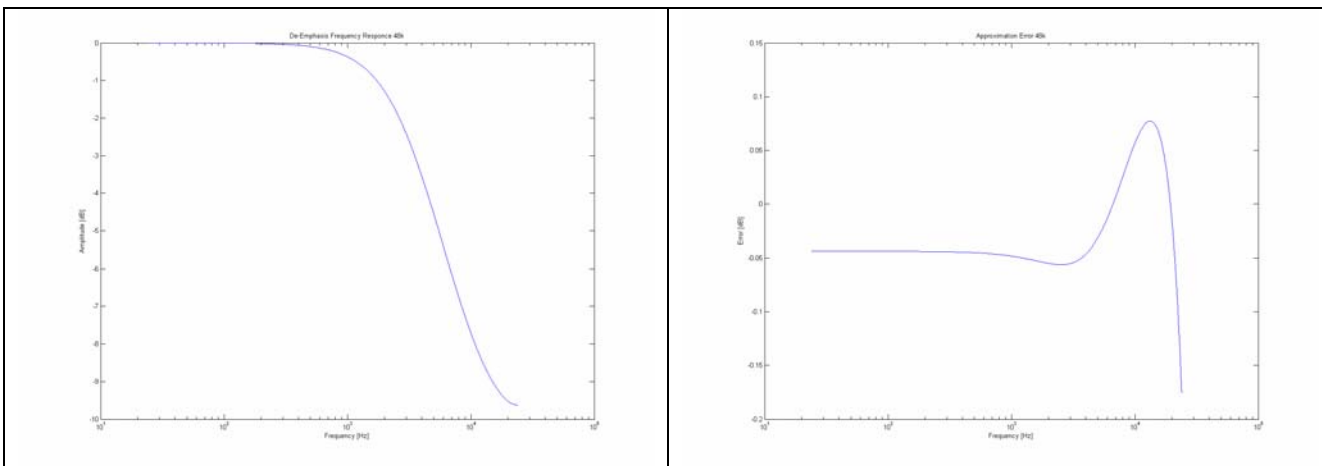
PCM DE-EMPHASIS FILTER RESPONSE (32kHz)



PCM DE-EMPHASIS FILTER RESPONSE (44.1kHz)

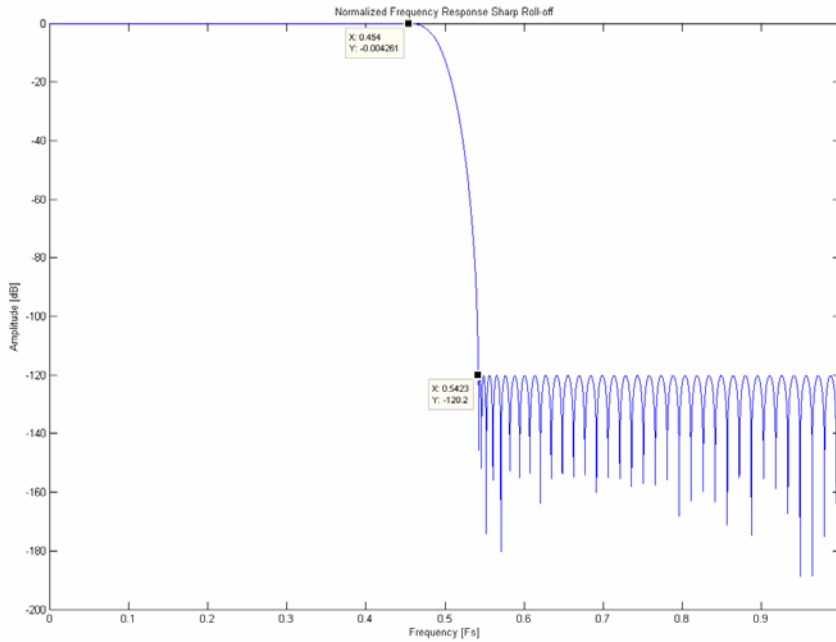


PCM DE-EMPHASIS FILTER RESPONSE (48kHz)

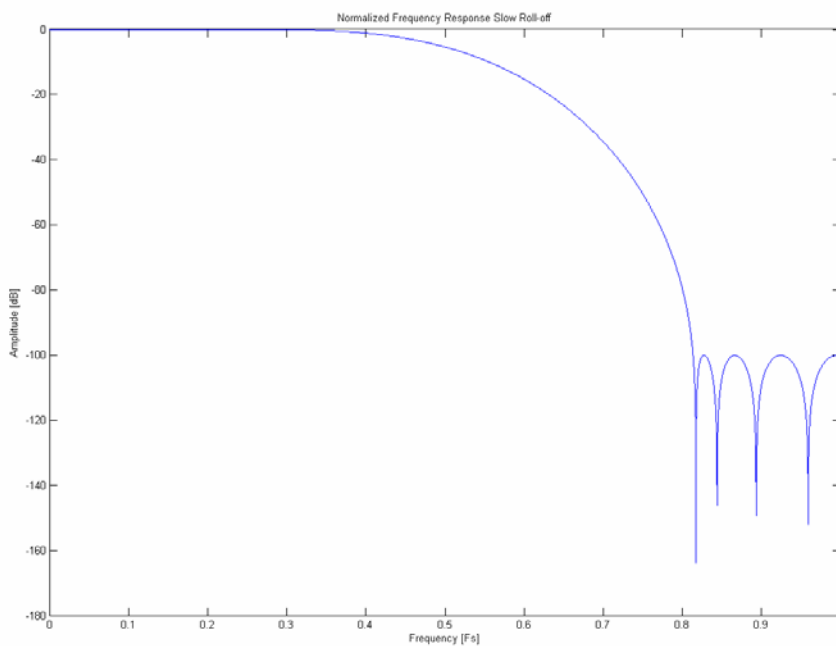




PCM SHARP ROLL-OFF FILTER RESPONSE



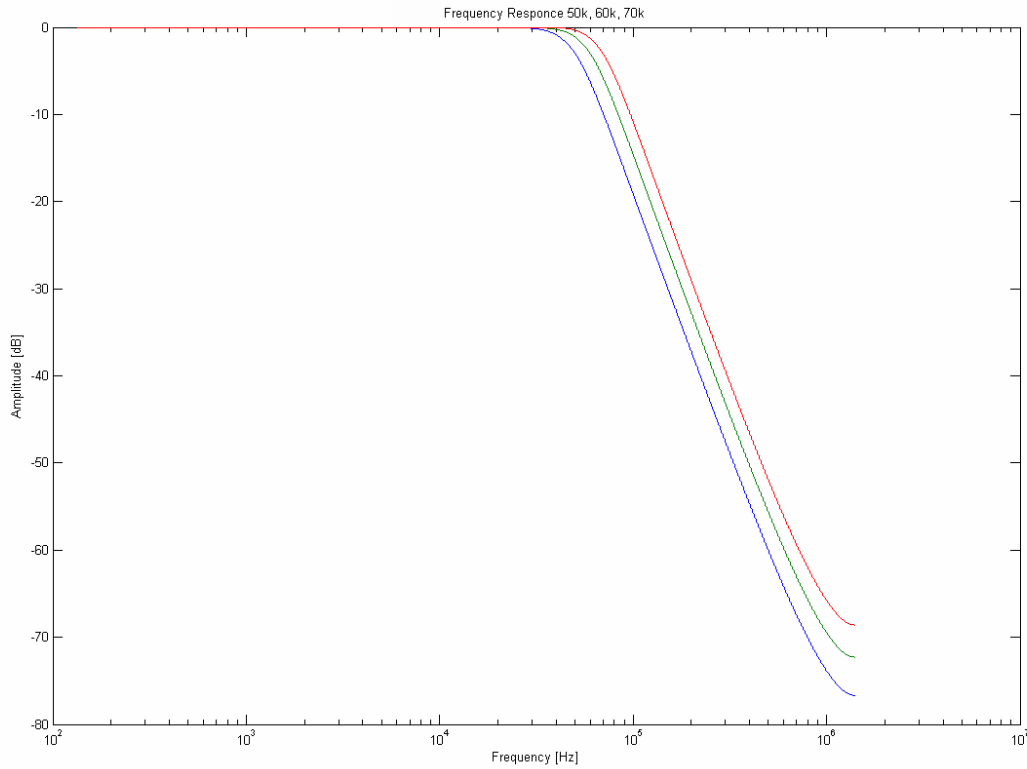
PCM SLOW ROLL-OFF FILTER RESPONSE



ES9008 Datasheet

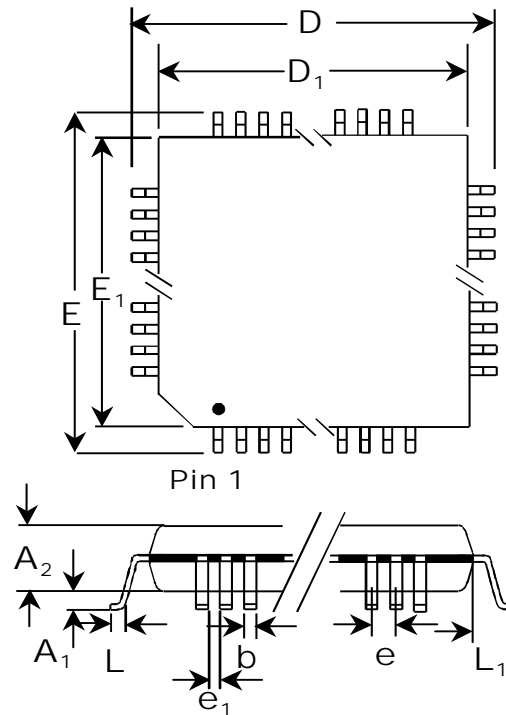


DSD FILTER RESPONSE





64-Pin LQFP Mechanical Dimensions



Symbol	Description	MILLIMETERS		
		Min.	Nom.	Max.
D	Lead-to Lead, X-axis	11.75	12.00	12.25
D ₁	Package's Outside, X-axis	9.90	10.00	10.10
E	Lead-to Lead, Y-axis	11.75	12.00	12.25
E ₁	Package's Outside, Y-axis	9.90	10.00	10.10
A ₁	Board Standoff	0.05	0.10	0.15
A ₂	Package Thickness	1.35	1.40	1.45
b	Lead Width	0.17	0.22	0.27
e	Lead Pitch		0.50 BSC	
e ₁	Lead Gap	0.23	0.28	0.33
L	Foot Length	0.45	0.60	0.75
L ₁	Lead Length		1.00	
	Coplanarity			0.102
	Foot Angle	0°		7°
	No. of Leads in X-axis		16	
	No. of Leads in Y-axis		16	
	No. of Leads Total		64	
	Package Type		LQFP	

ES9008 Datasheet



Reflow Process Considerations

For lead-free soldering, the characterization and optimization of the reflow process is the most important factor you need to consider.

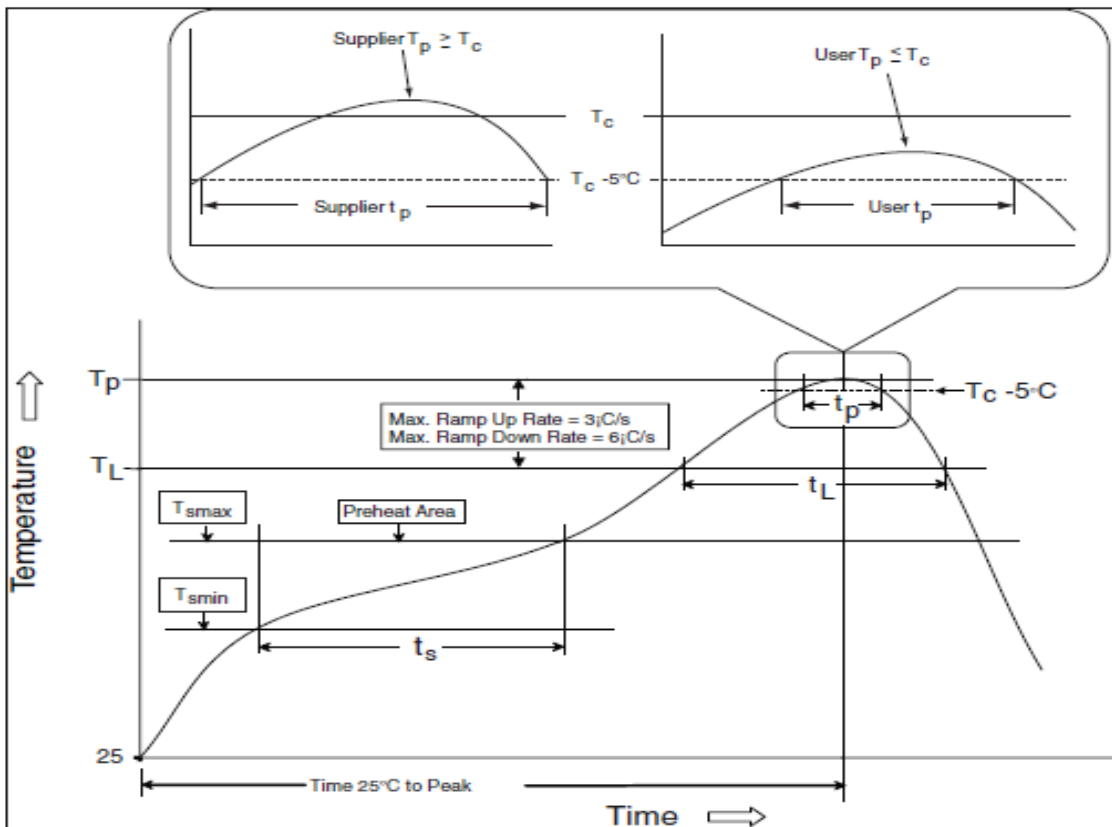
The lead-free alloy solder has a melting point of 217°C. This alloy requires a minimum reflow temperature of 235°C to ensure good wetting. The maximum reflow temperature is in the 245°C to 260°C range, depending on the package size (*Table RPC-2*). This narrows the process window for lead-free soldering to 10°C to 20°C.

The increase in peak reflow temperature in combination with the narrow process window makes the development of an optimal reflow profile a critical factor for ensuring a successful lead-free assembly process. The major factors contributing to the development of an optimal thermal profile are the size and weight of the assembly, the density of the components, the mix of large and small components, and the paste chemistry being used.

Reflow profiling needs to be performed by attaching calibrated thermocouples well adhered to the device as well as other critical locations on the board to ensure that all components are heated to temperatures above the minimum reflow temperatures and that smaller components do not exceed the maximum temperature limits (*Table RPC-2*).

To ensure that all packages can be successfully and reliably assembled, the reflow profiles studied and recommended by ESS are based on the JEDEC/IPC standard J-STD-020 revision D.1.

Figure RPC-1. IR/Convection Reflow Profile (IPC/JEDEC J-STD-020D.1)



Note: Reflow is allowed 3 times. Caution must be taken to ensure time between re-flow runs does not exceed the allowed time by the moisture sensitivity label. If the time elapsed between the re-flows exceeds the moisture sensitivity time bake the board according to the moisture sensitivity label instructions.

Manual Soldering:

Allowed up to 2 times with maximum temperature of 350 degrees no longer than 3 seconds.



Table RPC-1 Classification reflow profile

Profile Feature	Pb-Free Assembly
Preheat/Soak	
Temperature Min (T _{smin})	150°C
Temperature Max (T _{smax})	200°C
Time (ts) from (T _{smin} to T _{smax})	60-120 seconds
Ramp-up rate (TL to T _p)	3°C / second max.
Liquidous temperature (TL)	217°C
Time (tL) maintained above TL	60-150 seconds
Peak package body temperature (T _p)	For users T _p must not exceed the classification temp in Table RPC-2. For suppliers T _p must equal or exceed the Classification temp in Table RPC-2.
Time (t _p)* within 5°C of the specified classification temperature (T _c), see Figure RPC-1	30* seconds
Ramp-down rate (T _p to TL)	6°C / second max.
Time 25°C to peak temperature	8 minutes max.
* Tolerance for peak profile temperature (T _p) is defined as a supplier minimum and a user maximum.	

Note 1: All temperatures refer to the center of the package, measured on the package body surface that is facing up during assembly reflow (e.g., live-bug). If parts are reflowed in other than the normal live-bug assembly reflow orientation (i.e., dead-bug), T_p **shall** be within ±2°C of the live-bug T_p and still meet the T_c requirements, otherwise, the profile **shall** be adjusted to achieve the latter. To accurately measure actual peak package body temperatures refer to JEP140 for recommended thermocouple use.

Note 2: Reflow profiles in this document are for classification/preconditioning and are not meant to specify board assembly profiles. Actual board assembly profiles should be developed based on specific process needs and board designs and should not exceed the parameters in Table RPC-1. For example, if T_c is 260°C and time t_p is 30 seconds, this means the following for the supplier and the user.
For a supplier: The peak temperature must be at least 260°C. The time above 255°C must be at least 30 seconds.
For a user: The peak temperature must not exceed 260°C. The time above 255°C must not exceed 30 seconds.

Note 3: All components in the test load **shall** meet the classification profile requirements.

Table RPC-2 Pb-Free Process – Classification Temperatures (T_c)

Package Thickness	Volume mm ³ , <350	Volume mm ³ , 350 to 2000	Volume mm ³ , >2000
<1.6 mm	260°C	260°C	260°C
1.6 mm – 2.5 mm	260°C	250°C	245°C
>2.5 mm	250°C	245°C	245°C

Note 1: At the discretion of the device manufacturer, but not the board assembler/user, the maximum peak package body temperature (T_p) can exceed the values specified in Table RPC-2. The use of a higher T_p does not change the classification temperature (T_c).

Note 2: Package volume excludes external terminals (e.g., balls, bumps, lands, leads) and/or non-integral heat sinks.

Note 3: The maximum component temperature reached during reflow depends on package thickness and volume. The use of convection reflow processes reduces the thermal gradients between packages. However, thermal gradients due to differences in thermal mass of SMD packages may still exist.

ES9008 Datasheet



ORDERING INFORMATION

Part Number	Description	Package
ES9008S	Sabre Reference 8-channel Audio DAC	64-pin LQFP

The letter S at the end of the part number identifies the package type LQFP.

REVISION HISTORY

Revision	Date	Notes
Initial	May 12, 2008	Initial version
1.1	December 10, 2012	Updated Analog Performance table – MCLK Updated I ² C compatible modes. Updated 5V tolerant pins. Updated PCM Audio Interface Diagram.
1.2	November 3, 2014	Updated ESS FAX number. Added reflow process information. Added legal disclaimer for Medical, Life Support, and Military use. Corrected polarity of op amps in application diagrams. Update DAC output resistance from 781.25Ω to 834Ω.
1.3	February 18, 2015	Corrected filter formulae on Analog Performance table.

ESS IC's are not intended, authorized, or warranted for use as components in military applications, medical devices or life support systems. ESS assumes no liability whatsoever and disclaims any expressed, implied or statutory warranty for use of ESS IC's in such unsuitable applications.

No part of this publication may be reproduced, stored in a retrieval system, transmitted, or translated in any form or by any means, electronic, mechanical, manual, optical, or otherwise, without the prior written permission of ESS Technology, Inc. ESS Technology, Inc. makes no representations or warranties regarding the content of this document. All specifications are subject to change without prior notice. ESS Technology, Inc. assumes no responsibility for any errors contained herein. U.S. patents pending.

X-ON Electronics

Largest Supplier of Electrical and Electronic Components

Click to view similar products for [Audio D/A Converter ICs](#) category:

Click to view products by [ESS Tech](#) manufacturer:

Other Similar products are found below :

[SABRE9006AS](#) [ES9023P](#) [ES9028PRO](#) [ES9008S](#) [ES9018S](#) [ES9016S](#) [ES9028Q2M](#) [ES9018K2M](#) [ES9016K2M](#) [ES9010K2M](#) [ES9038PRO](#)
[ES9218PQ](#) [PCM5122PWR](#) [PCM5142PWR](#) [PCM5242RHBR](#) [CS4361-CZZ](#) [AD1955ARSZ](#) [AD1866RZ-REEL](#) [AD1955ARSZRL](#)
[AD1934WBSTZ](#) [AD1856RZ](#) [AD1851RZ-REEL7](#) [AD1866RZ](#) [AD1851RZ-J](#) [AD1851RZ](#) [CS4334-KSZ](#) [CS4335-KSZ](#) [CS4344-CZZ](#)
[CS4344-CZZR](#) [ES9080Q](#) [MAX9850ETI+](#) [PCM1791ADBG4](#) [PCM1748KEG4](#) [PCM1602APT](#) [PCM1680DBQ](#) [PCM1681PWP](#)
[PCM1681PWPR](#) [PCM1690DCAR](#) [PCM1725U](#) [PCM1733U](#) [PCM1738E](#) [PCM1741E](#) [PCM1742E](#) [PCM1742KE](#) [PCM1744U](#) [PCM1748E](#)
[PCM1748KE](#) [PCM1754DBQR](#) [PCM1771PW](#) [PCM1772PW](#)