



Analog Reinvented

The ESS SABRE® ES9020 is a 2 channel high performance audio digital-to-analog converter (DAC) that offers unsurpassed performance/cost solution for receivers, personal audio devices, professional audio applications such as recording systems, mixer consoles and digital audio workstations (DAW).

The ES9020 incorporates ESS' new patented Hyperstream® IV DAC Architecture and advanced SABRE HiFi® technology. It delivers incredible audio sound quality and specifications, including +122dB DNR and -110dB THD+N per channel.

The ES9020 SABRE® DAC improves on previous designs to include:

- TDM audio format in addition to PCM, allowing for 4, 8, 16 or 32 channels per data line.
- SPI serial communication in addition to I²C.
- Hardware mode support allows user to configure DAC without microcontroller.
- Low power consumption <8mW/channel quiescent or <20mW/channel playback.

The ES9020 is a synchronous DAC and integrates an analog phase locked loop (APLL) to allow for simple configuration from the input bit clock or DSD clock. Daisy chain is supported to simplify routing when combining several chips in parallel.

FEATURE	DESCRIPTION
Patented Hyperstream® IV Architecture DAC Technology	Next-gen ESS SABRE® 2 Channel audio DAC
+122db DNR per channel -110dB THD+N per channel	High dynamic range & low distortion
High input sample rates	Up to PCM 768kHz, DSD1024, DoP256 in 64*FS mode
Multiple input formats are available	I ² S, LJ, TDM (including daisy chain), DSD, DoP
Customizable filter characteristics	8 pre-programmed digital filters as well as DC blocking and de-emphasis filters
Volume Control	Volume set from +1dB to -126dB in 0.5dB steps Additional gain with up to +42 dB gain in +6dB steps
Integrated Analog Phase Locked Loop (APLL)	No loss in performance APLL reduces BOM requirements
Small standardized packaging	5mm x 5mm, 28 pin QFN for reduced PCB board space

Applications

- Professional Audio
- Audiophile equipment
- Digital musical instruments
- Network streamers
- PA/Broadcast applications
- Powered Speakers

Table of Contents

Table of Contents	2
List of Figures	5
List of Tables	6
Functional Block Diagram	8
ES9020 Pinout.....	9
28 QFN Pinout.....	9
28 QFN Pin Descriptions	10
Configuration Modes.....	11
Design Information	11
Software Mode	12
I ² C Slave Interface Commands	12
SPI Slave Interface Commands	13
Hardware Mode.....	14
Recommended Hardware Mode Setup Sequence	14
Hardware Mode Pin Configurations	15
GPIO Functions in Hardware Mode	17
Mute Control	17
Digital Features.....	18
Audio Input Formats.....	18
PCM (I ² S, LJ)	19
TDM	20
DSD	21
PDM.....	21
Digital Signal Path.....	22
PCM/TDM Decoder.....	22
PDM Decoder	23
DSD Channel Mapping	23
DBQ	24
Volume Control & Mute.....	25
Automute.....	25
Digital Gain	26
8x FIR Filter	26
IIR Filter	26
Soft Ramp.....	26



ES9020 Product Datasheet

GPIO Configuration	27
Analog Outputs Off	27
Output 1'b0	27
Output 1'b1	27
PLL Locked Flag	28
Minimum Volume Flag	28
Automute Status Flag	28
Soft Ramp Done Flag	28
Mute DAC	29
System Mode Control	29
BCK/WS Monitor	29
MCLK_128FS	29
Pre-Programmed Digital Filters	30
PCM Filter Latency	31
PCM Filter Properties.....	32
PCM Filter Frequency Response	34
PCM Filter Impulse Response	38
64FS Mode	42
Daisy Chain.....	45
Sample Rate Readback	46
Analog Features	47
APLL	47
Absolute Maximum Ratings	49
ESD Ratings	49
IO Electrical Characteristics.....	49
Switching Characteristics.....	50
Timing Characteristics	51
Bit-Clock (BCLK) and Word-Select (WS) Timing.....	51
I ² C Slave Interface Timing.....	52
SPI Slave Interface Timing.....	53
Recommended Operating Conditions.....	53
Power Consumption	54
Performance.....	55
Register Overview	56
Read/Write Register Addresses	56



ES9020 Product Datasheet

Read-Only Register Addresses	56
Multi-Byte Registers	56
Register Map	57
Register Listing	59
System Registers	59
GPIO Registers	66
DAC Registers.....	72
PLL Registers.....	79
Readback Registers.....	82
ES9020 Reference Schematic.....	85
Hardware (HW) Mode	85
Software (SW) Mode	86
Reference Output Stage.....	87
Internal Pad Circuitry	88
28 QFN Package Dimensions	90
28 QFN Top View Marking	91
Reflow Process Considerations	92
Temperature Controlled	92
Manual	93
RPC-1 Classification Reflow Profile	93
RPC-2 Pb-Free Process - Classification Temperatures (Tc).....	94
Ordering Information.....	95
Revision History.....	95

ES9020 Product Datasheet

List of Figures

Figure 1 - ES9020 Block Diagram	8
Figure 2 – 28 pin QFN Pinout	9
Figure 3 - Hardware Mode Pin Configurations	11
Figure 4 - I ² C Write Example	12
Figure 5 - I ² C Read Example	12
Figure 6 - SPI Single Byte Write	13
Figure 7 - SPI Single Byte Read	13
Figure 8 - SPI Multibyte Read	13
Figure 9 - Hardware Mode Startup Sequence	14
Figure 10 - LJ (top) & I ² S (bottom) for 16,24, and 32-bit Word Widths	19
Figure 11 - TDM4 Mode	20
Figure 12 - TDM8 Mode	20
Figure 13 - TDM16 Mode	20
Figure 14 - DSD Format, 1-bit stream	21
Figure 15 - PDM Dual Channel Format	21
Figure 16 - Digital Signal Path	22
Figure 17 - DBQ format	24
Figure 18 - Minimum Phase 64FS Frequency Response	43
Figure 19 - Minimum Phase 64FS Impulse Response	44
Figure 20 - Daisy Chain Configuration	45
Figure 21 - Functional Block Diagram of ES9020 APLL	47
Figure 22 - Bit-Clock and Word-Select Timing	51
Figure 23 - I ² C Slave Control Interface Timing	52
Figure 24 - SPI Slave Interface Timing	53
Figure 25 - ES9020 HW Mode Reference Schematic	85
Figure 26 - ES9020 SW Mode Reference Schematic	86
Figure 27 - ES9020 Output Stage Reference Schematic	87
Figure 28 - ES9020 QFN Package Dimensions	90
Figure 29 - ES9020 28 QFN Top View Markings	91
Figure 30 - IR/Convection Reflow Profile (IPC/JEDEC J-STD-020D.1)	92

List of Tables

Table 1 - Mode Pin Configuration Options	11
Table 2 - I ² C Slave Addresses	12
Table 3 - Hardware Pin Configurations, Modes 0-15	15
Table 4 - Hardware Pin Configurations, Modes 16-31	16
Table 5 - DAC Input Select with GPIO3 & GPIO2 in Hardware Mode	17
Table 6 - DAC Filter Select with GPIO4 in Hardware Mode	17
Table 7 - DAC Automute with GPIO1 in Hardware Mode	17
Table 8 - Mute Control in Hardware Mode	17
Table 9 - PCM Pin Connections	19
Table 10 - TDM Pin Connections	20
Table 11 - DSD Pin Connections	21
Table 12 - PDM Pin Connections	21
Table 13 - GPIO Configuration	27
Table 14 - Pre-Programmed Digital Filter Descriptions	30
Table 15 - PCM Filter Latency	31
Table 16 - PCM Filter Properties	33
Table 17 - PCM Filter Frequency Response	37
Table 18 - PCM Filter Impulse Response	41
Table 19 - Minimum Phase 64FS Latency	42
Table 20 - Minimum Phase 64FS Properties	42
Table 21 - Daisy Chain Pins	45
Table 22 - Sample Rate Readback Variables	46
Table 23 - APLL Divider Values for 44.1kHz Base Rates	48
Table 24 - APLL Divider Values for 48kHz Base Rates	48
Table 25 - Absolute Maximum Ratings	49
Table 26 - ESD Ratings	49
Table 27 - I/O Electrical Characteristics	49
Table 28 - Switching Characteristics	50
Table 29 - Bit-Clock and Word-Select Timing Definitions	51
Table 30 - I ² C Slave/Synchronous Slave Interface Timing Definitions	52
Table 31 - SPI Slave Interface Timing	53
Table 32 - Recommended Operating Conditions	53
Table 33 – ES9020 Power Consumption	54
Table 34 – ES9020 Performance	55



ES9020 Product Datasheet

Table 35 - Register Map	58
Table 36 - Internal Pad Circuitry	89
Table 37 - RPC-1 Classification Reflow Profile.....	93
Table 38 - RPC-2 Pb Free Classification Temperatures.....	94
Table 39 - Ordering Information.....	95



Functional Block Diagram

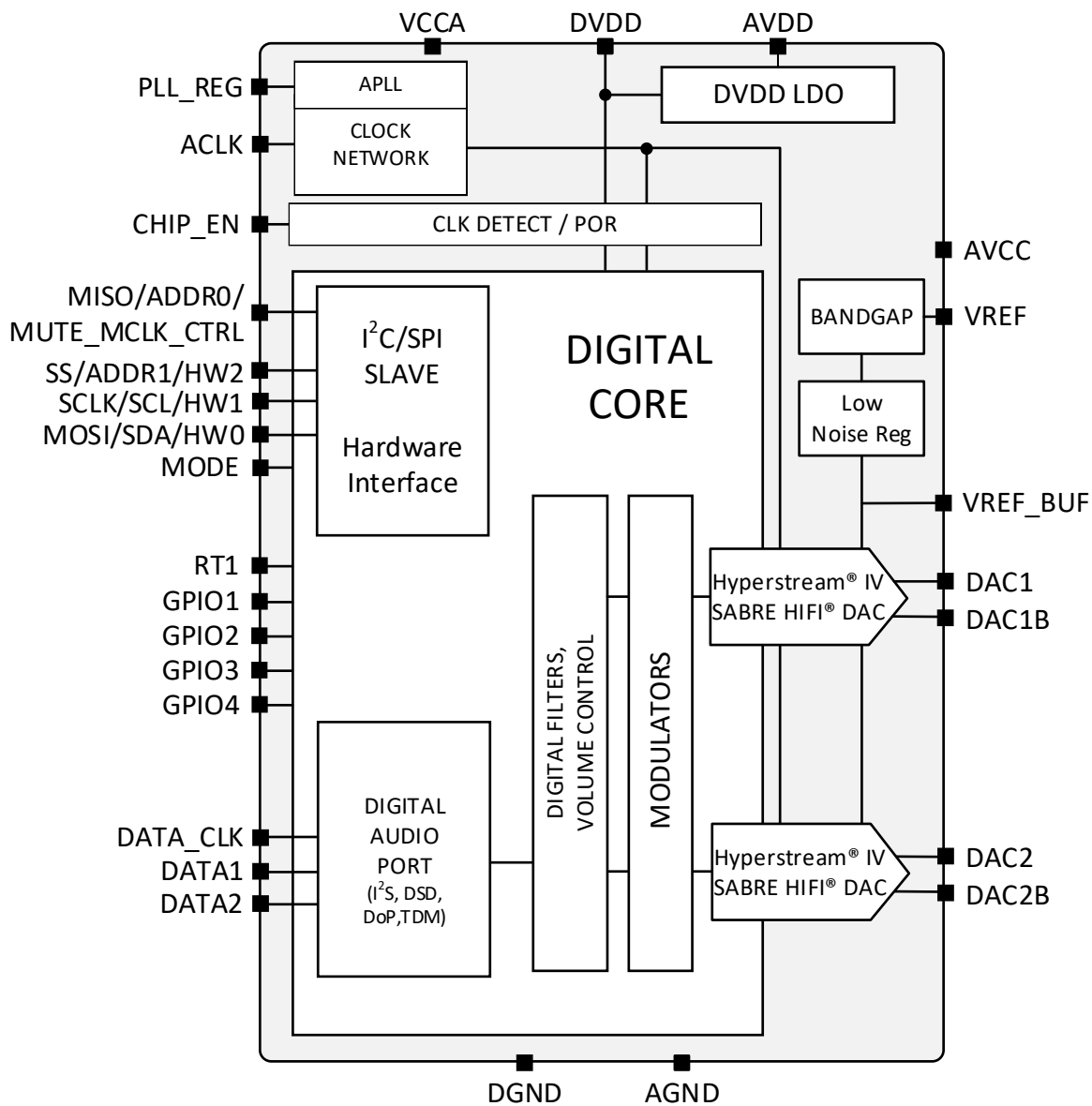
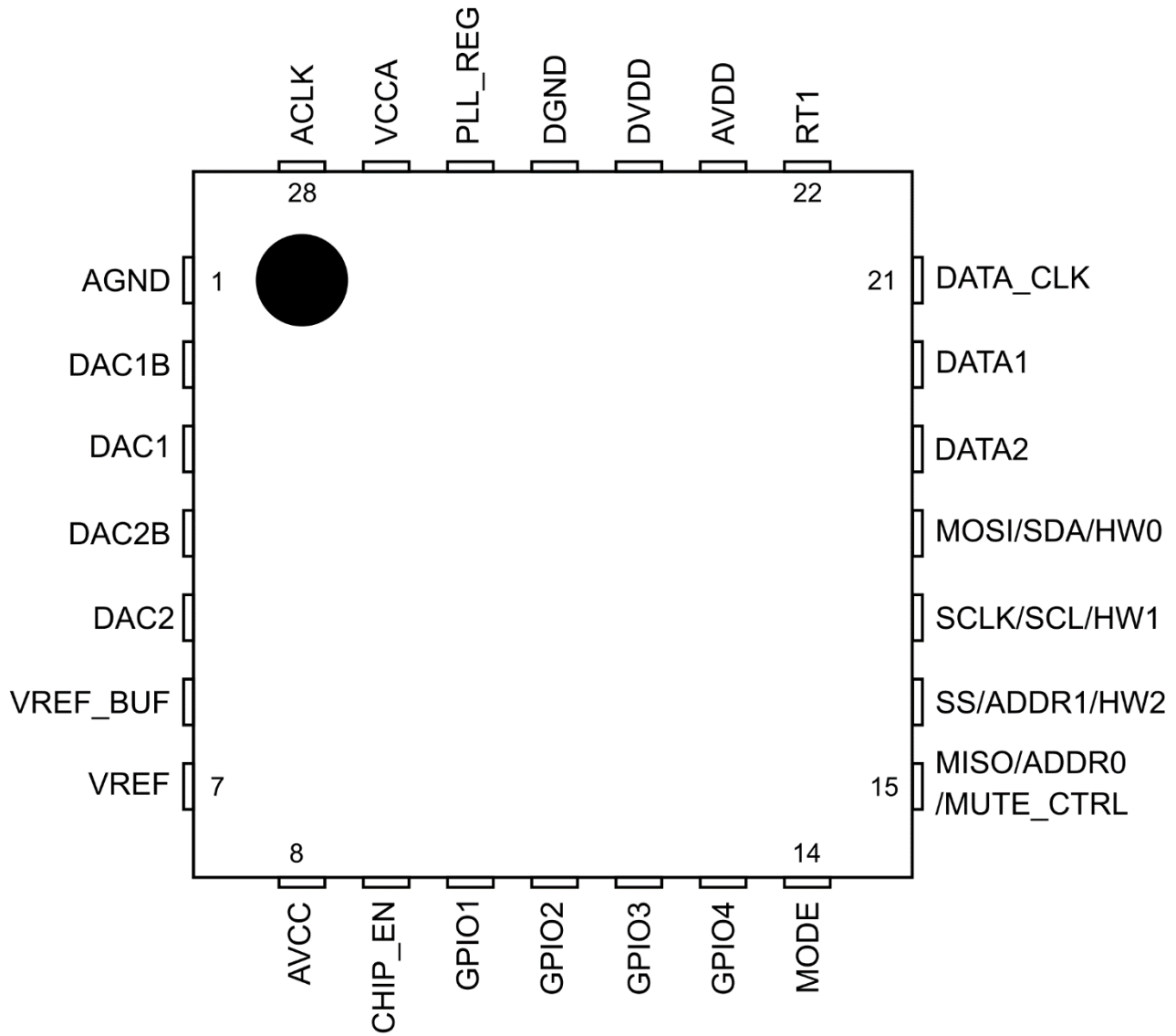


Figure 1 - ES9020 Block Diagram

ES9020 Product Datasheet

ES9020 Pinout

28 QFN Pinout



ES9020
(Top View)

Figure 2 – 28 pin QFN Pinout

*Note: ES9020 has an exposed pad (pin 29) that should be connected to ground.



28 QFN Pin Descriptions

Pin	Name	Pin Type	Reset State	Pin Description
1	AGND	Ground	Ground	DAC analog output stage ground
2	DAC1B	A I/O	Ground	Differential Negative Output for Channel 1
3	DAC1	A I/O	Ground	Differential Positive Output for Channel 1
4	DAC2B	A I/O	Ground	Differential Negative Output for Channel 2
5	DAC2	A I/O	Ground	Differential Positive Output for Channel 2
6	VREF_BUF	A O	P/D	Analog Regulator Output, internally generated
7	VREF	A O	P/D	Voltage Reference Output, internally generated
8	AVCC	Power	Power	3.3V DAC analog output stage reference supply
9	CHIP_EN	D I	HiZ	Active-high Chip Enable
10	GPIO1	D I/O	HiZ	General I/O w/extended functions
11	GPIO2	D I/O	HiZ	General I/O w/extended functions
12	GPIO3	D I/O	HiZ	General I/O w/extended functions
13	GPIO4	D I/O	HiZ	General I/O w/extended functions
14	MODE	D I/O	HiZ	I ² C /SPI Control selection or HW mode
15	MISO	D I/O	HiZ	SPI Main In Sub Out pin, controlled by MODE
	ADDR0			I ² C Address 0 pin, controlled by MODE
	MUTE_MCLK_CTRL			Hardware Mute Control pin, controlled by MODE
16	SS	D I/O	HiZ	SPI Slave Select pin, controlled by MODE
	ADDR1			I ² C Address 1 pin, controlled by MODE
	HW2			Hardware 2 interface pin, controlled by MODE
17	SCLK	D I/O	HiZ	SPI Serial Clock pin, controlled by MODE
	SCL			I ² C Serial Clock pin, controlled by MODE
	HW1			Hardware 1 interface pin, controlled by MODE
18	MOSI	D I/O	HiZ	SPI Main Out Sub In pin, controlled by MODE
	SDA			I ² C Serial Data pin, controlled by MODE
	HW0			Hardware 0 interface pin, controlled by MODE
19	DATA2	D I/O	HiZ	Serial DATA2 pin
20	DATA1	D I/O	HiZ	Serial DATA1 pin
21	DATA_CLK	D I/O	HiZ	Serial Data Clock pin
22	RT1	D I/O	HiZ	Reserved. Must be connected to DGND for normal operation.
23	AVDD	Power	Power	3.3V I/O Supply
24	DVDD	A O	P/D	1.2V Supply for Digital Core, internally generated
25	DGND	Ground	Ground	Digital Core Ground
26	PLL_REG	A O	P/D	Low Noise Supply for PLL, internally generated
27	VCCA	Power	Power	Analog Supply, 3.3V
28	ACLK	Clock I	HiZ	Clock Input
29	External PAD	-	-	External Pad, connect to GND

* Note: A I/O = Analog Input/Output, D I/O = Digital Input/Output

ES9020 Product Datasheet

Configuration Modes

The ES9020 supports 2 different software modes (SPI or I²C) and supports 2 different sets of hardware modes (PCM or TDM/DSD). These modes are controlled by the state of the MODE Pin (Pin 14).

MODE PIN	Configuration	Description
1	Software Mode	SPI interface
Pull 1	Hardware Mode	TDM, DSD Modes
Pull 0	Hardware Mode	PCM Slave or Master Modes
0	Software Mode	I ² C interface

Table 1 - Mode Pin Configuration Options

Design Information

Hardware pins can be configured four different ways. Each pin can be tied-high (1), pulled-high (Pull 1), pulled-low (Pull 0), or tied-low (0). HW0 and HW1 pins are always tied-high or tied-low. This also applies to MUTE_CTRL.

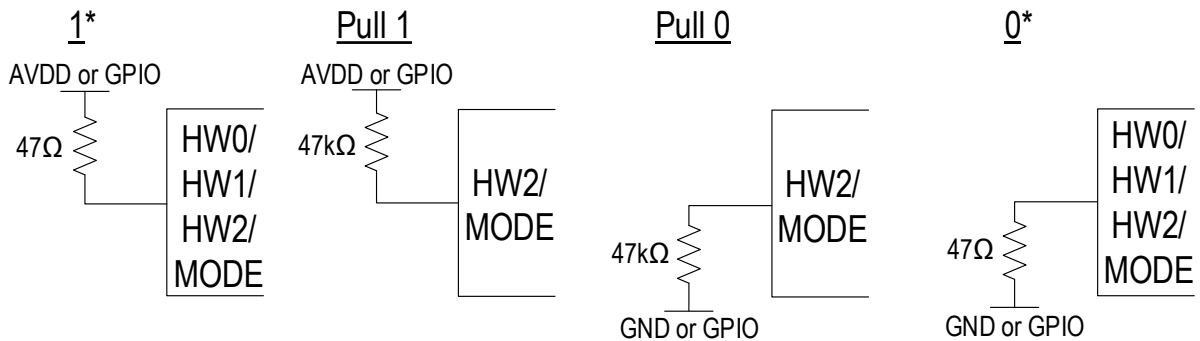


Figure 3 - Hardware Mode Pin Configurations

* Note: Hardware mode pin states 0 and 1 can be directly connected to GND or AVDD.

Software Mode

The ES9020 support I²C or SPI serial communication. The ES9020 have read/write register and read-only register. Software modes are set with the MODE pin (Pin 14)

I²C Slave Interface Commands

The I²C slave interface is enabled when the MODE pin (Pin 14) is tied low (MODE=0). In I²C mode, ADDR1 (Pin 16) and ADDR0 (Pin 15) determine the I²C address and the R/W bit controls reading or writing.

For I²C Timing information, see I²C Slave Interface Timing.

The I²C Slave Interface can be accessed by:

- Pin 18 SDA
- Pin 17 SCL
- Pin 16 ADDR1
- Pin 15 ADDR0

I²C Slave Address = [5'b10010, ADDR1, ADDR0, R/W]

I ² C Slave Address	ADDR1	ADDR0
0x90	0	0
0x92	0	1
0x94	1	0
0x96	1	1

Table 2 - I²C Slave Addresses

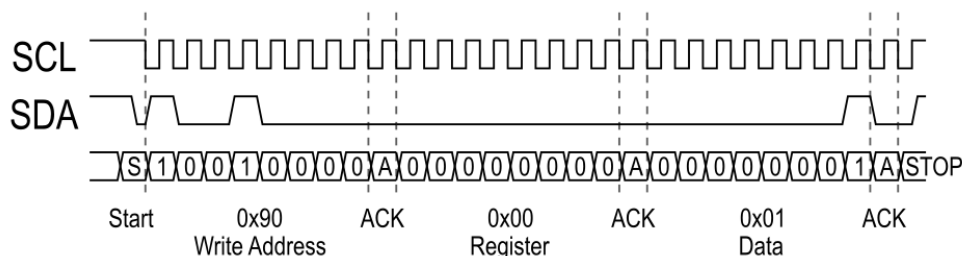


Figure 4 - I²C Write Example

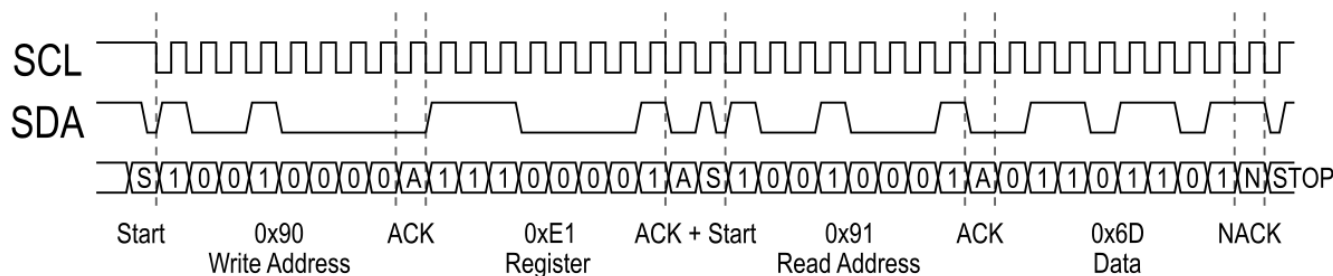


Figure 5 - I²C Read Example

Note: CHIP_ID is 0x6D in Register 225 (0xE1)

ES9020 Product Datasheet

SPI Slave Interface Commands

The SPI slave interface is used when the MODE pin (Pin 14) is pulled high.

The SPI slave interface can be accessed using Pins 15, 16, 17, and 18.

- Pin 18 MOSI
- Pin 17 SCLK
- Pin 16 SS
- Pin 15 MISO

The 4-wire SPI data format is: Command (1 byte) + Address (1 byte) + Data.

SPI Commands:

- 0x01: Read
- 0x03: Write

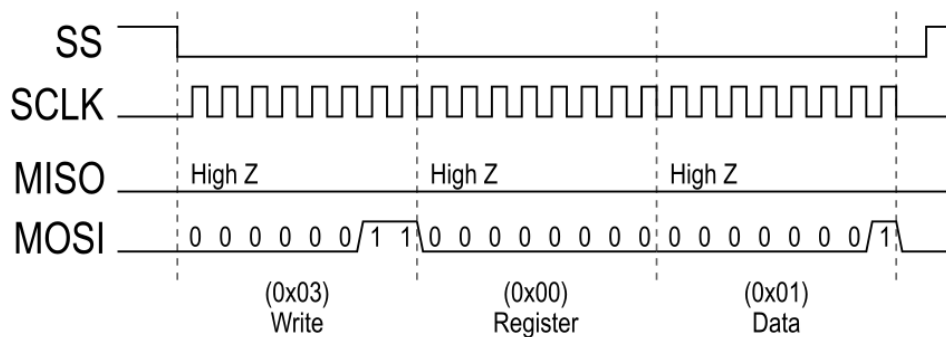


Figure 6 - SPI Single Byte Write

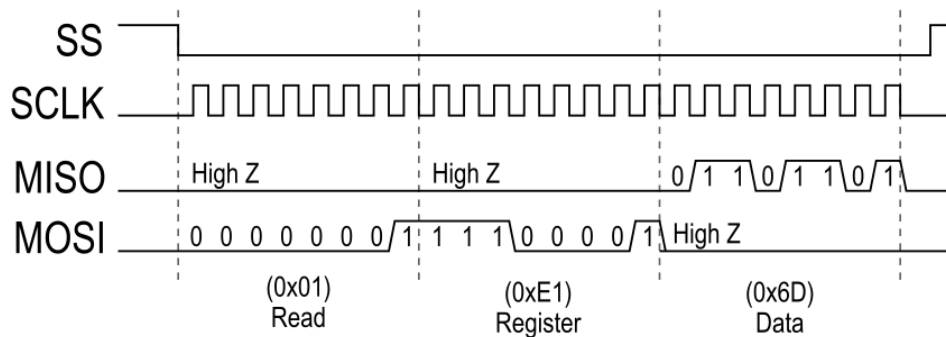


Figure 7 - SPI Single Byte Read

Note: CHIP_ID is 0x6D in Register 225 (0xE1)

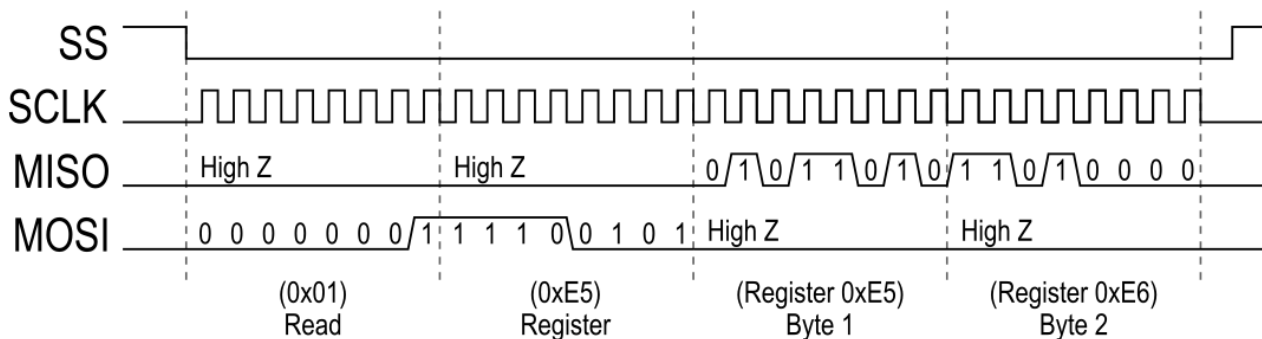


Figure 8 - SPI Multibyte Read

Hardware Mode

The ES9020 has pre-configured modes that can be set with external pin configuration. These modes configure the DAC for different input/output serial data rates and set the muting. Hardware modes also support stereo digital PDM microphones as inputs. Each hardware mode pin has 4 states that can be found in Design Information.

These modes are set with pins:

- MODE (Pin 14)
- HW0 (Pin 18)
- HW1 (Pin 17)
- HW2 (Pin 16)
- MUTE_CTRL (Pin 15)

Recommended Hardware Mode Setup Sequence

The Hardware Mode setup sequence is shown below with all hardware pins being defined after CHIP_EN is asserted.

Note: It is recommended that MUTE_CTRL is set low until the HW mode is finalized and after CHIP_EN is asserted, then asserted last.

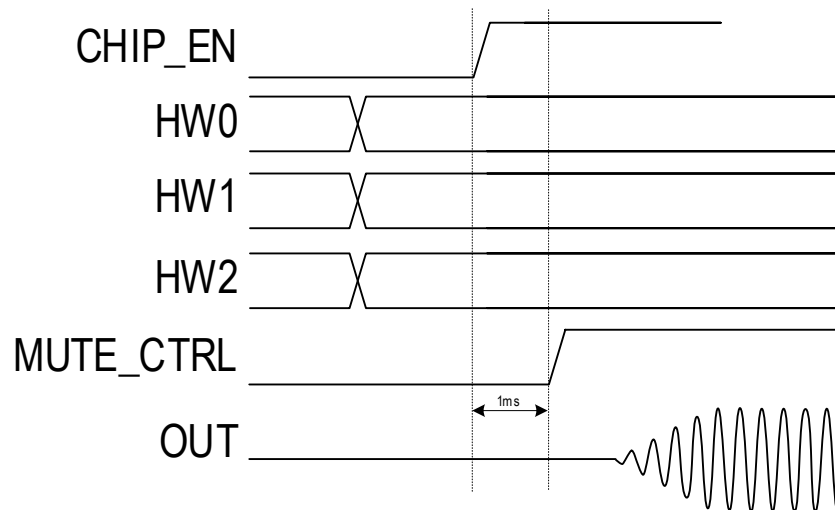


Figure 9 - Hardware Mode Startup Sequence

ES9020 Product Datasheet

Hardware Mode Pin Configurations

HW Mode	Mode Description	MCLK Source	PCM FS [kHz]	DoP Rate	DSD Rate	PDM Clock [MHz]	BCK ¹ [MHz]	MODE	HW2	HW1	HW0
32-bit PCM/DoP/DSD/PCM Master Modes (Ext MCLK)											
0	I ² S / DoP / DSD / PDM	Ext. MCLK	MCLK/128	DoP64 - 256	DSD512/1024	PDM24/49	MCLK/2 (64*FS)	Pull 0	0	0	0
1			MCLK/256	DoP64 - 128	DSD256/512	PDM12/24	MCLK/4 (64*FS)	Pull 0	0	0	1
2			MCLK/512	DoP64	DSD128/256	PDM6/12	MCLK/8 (64*FS)	Pull 0	0	1	0
3	I ² S / DSD / PDM		MCLK/1024	-	DSD64/128	PDM3/6	MCLK/16 (64*FS)	Pull 0	0	1	1
4	LJ / DoP / DSD / PDM		MCLK/128	DoP64 - 256	DSD512/1024	PDM24/49	MCLK/2 (64*FS)	Pull 0	Pull 0	0	0
5			MCLK/256	DoP64 - 128	DSD256/512	PDM12/24	MCLK/4 (64*FS)	Pull 0	Pull 0	0	1
6			MCLK/512	DoP64	DSD128/256	PDM6/12	MCLK/8 (64*FS)	Pull 0	Pull 0	1	0
7			MCLK/1024	-	DSD64/128	PDM3/6	MCLK/16 (64*FS)	Pull 0	Pull 0	1	1
32-bit PCM/DoP/DSD/PCM Slave Modes (PLL and Ext MCLK)											
8	I ² S / DoP / DSD / PDM Auto FS	Ext. MCLK	$8 \leq FS \leq 768$	DoP64 - 256	DSD64 - DSD1024	$0.375 \leq PDM \leq 49$	64*FS	Pull 0	Pull 1	0	0
9	I ² S / DSD / PDM	PLL from	48	-	DSD64	PDM3	3.072	Pull 0	Pull 1	0	1
10			96	-	DSD128	PDM6	6.144	Pull 0	Pull 1	1	0
11	I ² S / DoP / DSD / PDM	BCK	192	DoP64	DSD256	PDM12	12.288	Pull 0	Pull 1	1	1
12	LJ / DoP / DSD / PDM Auto FS	Ext. MCLK	$8 \leq FS \leq 768$	DoP64 - 256	DSD64 - DSD1024	$0.375 \leq PDM \leq 49$	64*FS	Pull 0	1	0	0
13	LJ / DSD / PDM	PLL from	48	-	DSD64	PDM3	3.072	Pull 0	1	0	1
14			96	-	DSD128	PDM6	6.144	Pull 0	1	1	0
15	LJ / DoP / DSD / PDM	BCK	192	DoP64	DSD256	PDM12	12.288	Pull 0	1	1	1

Table 3 - Hardware Pin Configurations, Modes 0-15

See table continuation on next page.

¹ For master mode DoP, DSD, and PDM, the BCKs frequency is doubled.

Hardware Pin Configurations (Continued)

HW Mode	Mode Description	MCLK Source	TDM Mode ¹	PCM FS [kHz]	BCK [MHz]	TDM Channels	TDM Slots	MODE	HW2	HW1	HW0
32-bit TDM LJ Slave Modes, Autodetect FS & CH Num											
16	32-Bit TDM LJ Slave Auto FS Auto CH num	Ext. MCLK	Parallel and Daisy Chain ¹	$8 \leq FS \leq 768$	Auto (64FS - 1024FS)	$2 \leq CH \leq 32$	1, 2	Pull 1	0	0	0
17				$8 \leq FS \leq 384$	Auto (128FS - 1024FS)	$4 \leq CH \leq 32$	3, 4	Pull 1	0	0	1
18				$8 \leq FS \leq 192$	Auto (256FS - 1024FS)	$8 \leq CH \leq 32$	5, 6	Pull 1	0	1	0
19				$8 \leq FS \leq 192$	Auto (256FS - 1024FS)	$8 \leq CH \leq 32$	7, 8	Pull 1	0	1	1
20				$8 \leq FS \leq 96$	Auto (512FS, 1024FS)	$16 \leq CH \leq 32$	9, 10	Pull 1	Pull 0	0	0
21				$8 \leq FS \leq 96$	Auto (512FS, 1024FS)	$16 \leq CH \leq 32$	11, 12	Pull 1	Pull 0	0	1
22				$8 \leq FS \leq 96$	Auto (512FS, 1024FS)	$16 \leq CH \leq 32$	13, 14	Pull 1	Pull 0	1	0
23				$8 \leq FS \leq 96$	Auto (512FS, 1024FS)	$16 \leq CH \leq 32$	15, 16	Pull 1	Pull 0	1	1
16-bit TDM LJ Slave Modes, Autodetect FS & CH Num											
24	16-Bit TDM LJ Slave Auto FS Auto CH num	Ext. MCLK	Parallel and Daisy Chain ¹	$8 \leq FS \leq 768$	Auto (64FS - 512FS)	$2 \leq CH \leq 32$	1, 2	Pull 1	Pull 1	0	0
25				$8 \leq FS \leq 384$	Auto (128FS - 512FS)	$4 \leq CH \leq 32$	3, 4	Pull 1	Pull 1	0	1
26				$8 \leq FS \leq 192$	Auto (256FS - 512FS)	$8 \leq CH \leq 32$	5, 6	Pull 1	Pull 1	1	0
27				$8 \leq FS \leq 192$	Auto (256FS - 512FS)	$8 \leq CH \leq 32$	7, 8	Pull 1	Pull 1	1	1
28				$8 \leq FS \leq 96$	Auto (512FS)	$16 \leq CH \leq 32$	9, 10	Pull 1	1	0	0
29				$8 \leq FS \leq 96$	Auto (512FS)	$16 \leq CH \leq 32$	11, 12	Pull 1	1	0	1
30				$8 \leq FS \leq 96$	Auto (512FS)	$16 \leq CH \leq 32$	13, 14	Pull 1	1	1	0
31				$8 \leq FS \leq 96$	Auto (512FS)	$16 \leq CH \leq 32$	15, 16	Pull 1	1	1	1

Table 4 - Hardware Pin Configurations, Modes 16-31

¹ TDM Mode is selected via GPIO2

ES9020 Product Datasheet

GPIO Functions in Hardware Mode

The ES9020 supports specific functions through the GPIO pins in hardware modes. The tables below show the available controls in hardware modes. These include DAC Input Select, Automute, and the ability to choose between two different filters in various input modes. These functions are supported in hardware modes.

Input Format	Supported HW Modes	GPIO3	GPIO2	Input/Output
I ² S/LJ	0 - 15	1'b0	1'b0	Input
DSD		1'b1	1'b0	Input
PDM		1'b0	1'b1	Input
DoP	0-2, 4-6, 8, 12, 15	1'b1	1'b1	Input
TDM (Parallel)	16 - 31	-	1'b0	Input
TDM (Daisy Chain)		TSD Pin	1'b1	Input/Output

Table 5 - DAC Input Select with GPIO3 & GPIO2 in Hardware Mode

GPIO4	Input Format	Filter
1'b0	I ² S/LJ, TDM	Filter 0 Minimum Phase
1'b1		Filter 2 Linear Phase Fast Roll-Off

Table 6 - DAC Filter Select with GPIO4 in Hardware Mode

GPIO1	Automute
1'b0	Disabled
1'b1	Enabled

Table 7 - DAC Automute with GPIO1 in Hardware Mode

Mute Control

Set MUTE_CTRL (Pin 15) to mute the output while in Hardware Mode:

HW MUTE Control (Pin 15)	Mute Condition	Automute Condition
0	Mute	Automute Off
1	Unmute	Automute Off
Pull 0	Mute	Automute On
Pull 1	Unmute	Automute On

Table 8 - Mute Control in Hardware Mode

Digital Features

Audio Input Formats

The ES9020 input format is selected either through Hardware Mode or Software Mode.

The ES9020 can automatically determine the input data format (PCM, DSD and DoP Only) by enabling Register 1[0] AUTO_INPUT_SEL, data must be provided on the DATA2 pin to properly decode the input format. The input data format can also be selected using Register 1[2:1] INPUT_SEL.

The formats include:

- **PCM/TDM** Register 1[2:1] = 2'd0
 - Slave and master mode in 16, 24, 32 - bit widths
 - I²S, Left Justified (LJ) refer to 2 channels per frame.
 - Sample rates up to 768kHz (64fs mode) for PCM
 - TDM supports up to 32 channels/slots per frame with auto channel number detect
 - TDM supported in parallel or daisy chain mode
 - TDM LJ in hardware mode, or TDM I2S and TDM LJ in software mode
 - Channel remapping through TDM_SLOT_SEL_CHx & invert
- **DSD/PDM** Register 1[2:1] = 2'd1
 - Set through ENABLE PDM DECODER or ENABLE DSD DECODER
 - PDM allows for double data rate, 2 channels per data line and remapping using PDM_PHASE
 - DSD uses a single channel per data line
 - Slave or master mode
 - Sample rates from DSD64 (2.8224Mbits/s) to DSD1024
 - Channel mapping through DSD_LINE_SEL_CHx & invert
- **DoP (DSD Over PCM)** Register 1[2:1] = 2'd2
 - Slave and master mode
 - Sample rates from DoP512 (24bit, 1.4112MHz PCM)
 - Channel mapping & invert

ES9020 Product Datasheet

PCM (I²S, LJ)

For Pulse Code Modulation (PCM), data is organized into 2 channels per frame on a single data line for I²S or Left Justified (LJ) formats. Data is latched on the positive edge of BCLK.

PCM Pin Connections:

Pin Name	Function	Description
DATA_CLK	PCM BCLK	PCM Clock (Bit Clock), Master or Slave
DATA1	PCM WS	PCM WS (Word Select/Frame Select), Master or Slave
DATA2	PCM DATA	PCM Data Channel 1 & 2

Table 9 - PCM Pin Connections

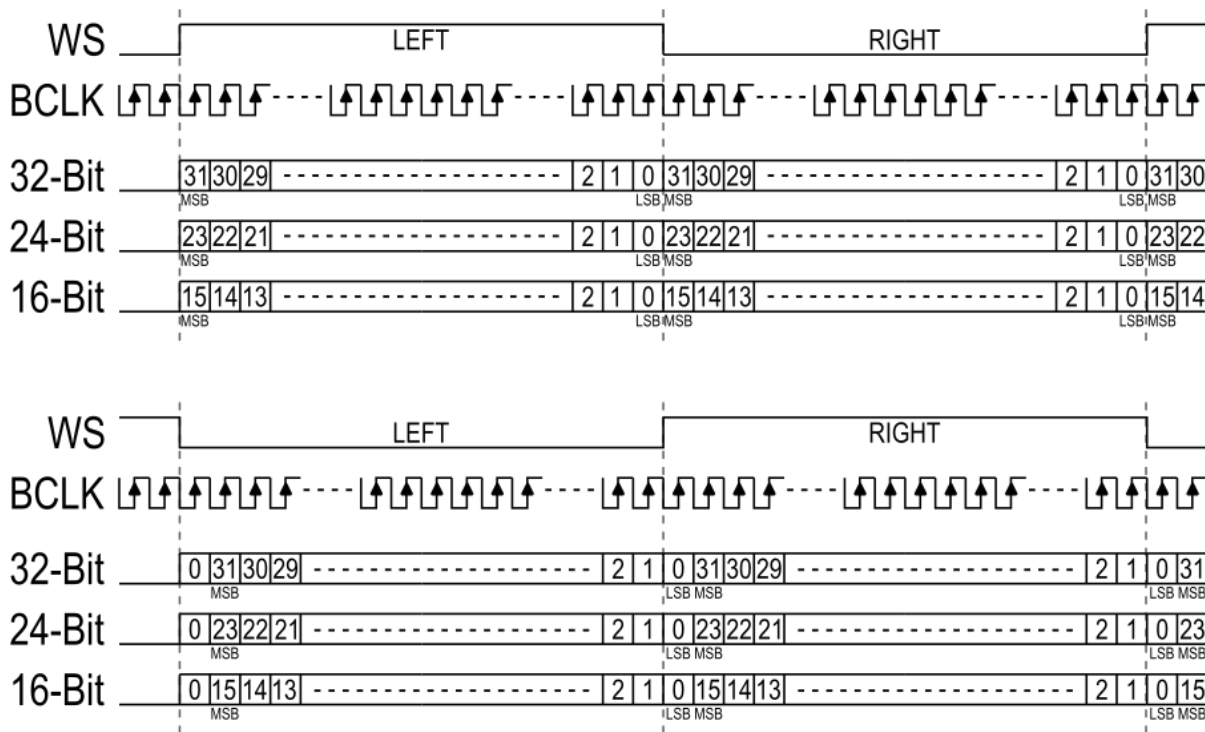


Figure 10 - LJ (top) & I²S (bottom) for 16,24, and 32-bit Word Widths

Note: Right Justified is only supported in software mode

TDM

The ES9020 supports Time Division Multiplexing (TDM) format, allowing 4 to 32 channels per frame on a single data line. TDM is supported in both software and hardware modes. Data is latched on the positive edge of BCLK.

In hardware mode, each TDM mode have their own TDM slot mapping. For example, in the case of TDM16 (16CH), the hardware mode will be configured so that slots 1 and 2 will map to one device (HW mode #16), slots 3 and 4 will map to a second device (HW mode #17), up to slots 15 and 16 mapping to an 8th device respectively.

In software mode, Registers 8-9[4:0] TDM_SLOT_SEL_CHx can be set to internally map any slot to either DAC channel.

TDM Pin Connection

Pin Name	Function	Description
DATA_CLK	TDM BCLK	TDM Clock, Master, or Slave
DATA1	TDM WS	TDM WS (Word Select/Frame Select), Master or Slave
DATA2	TDM DATA	TDM DATA Channel 1 & 2 (default)

Table 10 - TDM Pin Connections

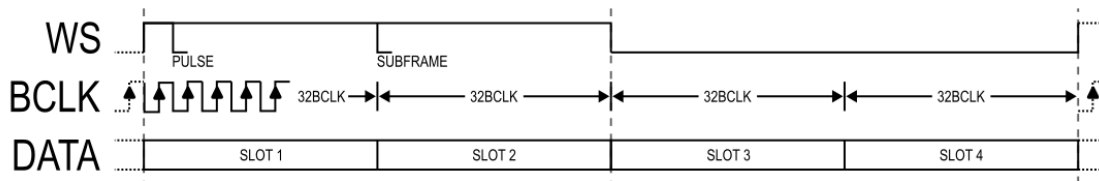


Figure 11 - TDM4 Mode

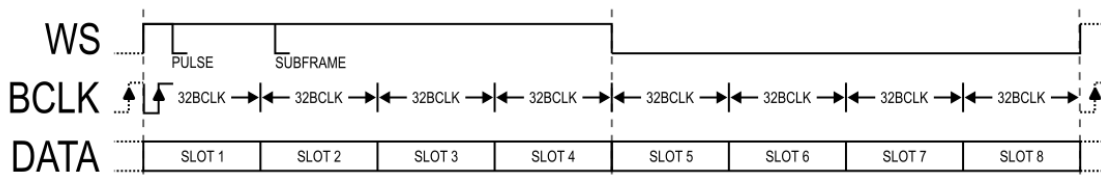


Figure 12 - TDM8 Mode

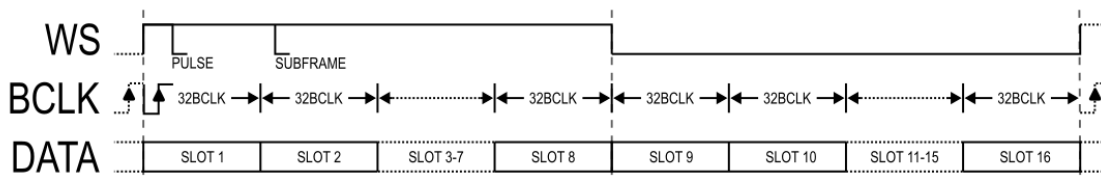


Figure 13 - TDM16 Mode

ES9020 Product Datasheet

DSD

In DSD mode, there is a single DSD clock line, and each channel of data is an additional DSD data line.

In hardware mode for DSD, input DSD data on DATA1 goes to CH1 and input on DATA2 goes to CH2.

In software mode, DSD data can be mapped through DSD_LINE_SEL_CHx,

DSD Pin Connections (default configuration):

Pin Name	Function	Description
DATA_CLK	DSD CLK	DSD Clock
DATA1	DSD CH1	DSD Data Channel 1
DATA2	DSD CH2	DSD Data Channel 2

Table 11 - DSD Pin Connections

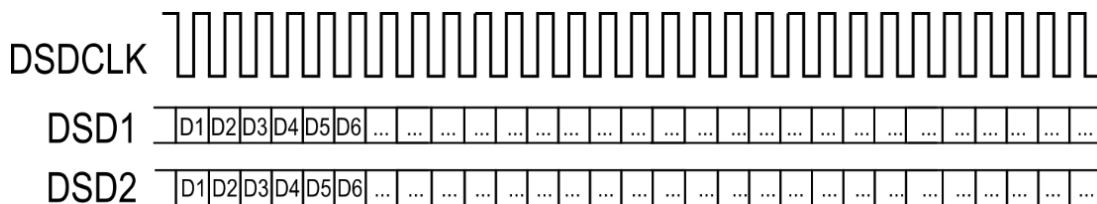


Figure 14 - DSD Format, 1-bit stream

PDM

In PDM mode, there is a PDM clock line and a single PDM data line containing data on both edges of the PDM clock.

In Hardware mode, Channel 1 is sampled on the rising edge and Channel 2 is sampled on the falling edge of PDM clock.

In Software mode, the channel mapping can be swapped by setting Register 19[7] PDM_PHASE. The channels can also be remapped using Register 8,9[5] DSD_LINE_SEL_CHx.

See PDM Decoder for more information.

Pin Name	Function	Description
DATA_CLK	PDM CLK	PDM Clock
DATA1	PDM DATA1	PDM Data Channel 1 & 2

Table 12 - PDM Pin Connections

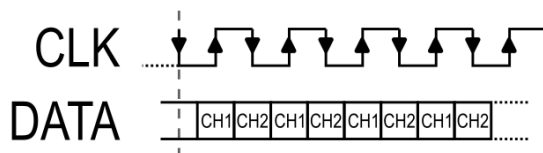


Figure 15 - PDM Dual Channel Format

Digital Signal Path

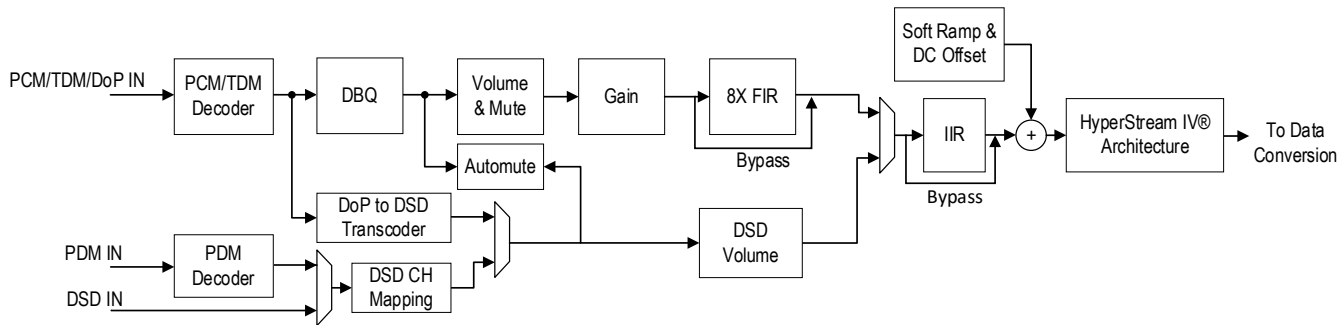


Figure 16 - Digital Signal Path

PCM/TDM Decoder

The ES9020 integrates a PCM/TDM decoder. The input has a maximum word width of 32-bits (default) and a maximum bit depth of 32-bit (default). The decoder allows for I²S, LJ, RJ and TDM input streams.

The PCM/TDM decoder can support up to 32 different slots and each channel of the DAC can be mapped to any of the 32 slots.

PCM/TDM Decoder Registers

- Register 6[7] TDM_RESYNC
- Register 6[6] AUTO_CH_DETECT
- Register 6[4:0] TDM_CH_NUM
- Register 7[7] ENABLE_WS_MONITOR
- Register 7[6] ENABLE_BCK_MONITOR
- Register 7[5:4] TDM_WORD_WIDTH
- Register 7[3:2] TDM_BIT_DEPTH
- Register 7[1] TDM_VALID_EDGE
- Register 7[0] TDM_LJ

TDM Mapping Registers

- Register 8-9[4:0] TDM_SLOT_SEL_CHx

Daisy Chain Registers

- Register 10[7] TDM_DAISSY_CHAIN
- Register 10[4:0] TDM_DATA_LATCH_ADJ

ES9020 Product Datasheet

PDM Decoder

The ES9020 can receive input audio from a PDM microphone using the integrated PDM Decoder. To use the PDM signal in software mode, INPUT_SEL must be set to 2'd1 (DSD) and ENABLE_DPM_DECODE must be set to 1'b1. PDM is also supported in hardware modes. The PDM Data is input into DATA1 and PDM Clock is output through DATA_CLK.

PDM Decoder Register

- Register 1[7] ENABLE_PDM_DECODE
- Register 8[7] PDM_SAMPLE_EDGE
- Register 8[8] PDM_PHASE
- Register 9[7] PDM_2X_GAIN_EN

Note: Register 1[7] ENABLE_PDM_DECODE must be set to 1'b0 to use DSD

DSD Channel Mapping

The ES9020 features the ability to remap DSD channel sources using registers. This includes the incoming signal from the PDM decoder. Either channel can be mapped to either channel.

DSD Channel Mapping Registers

- Register 8-9[5] DSD_LINE_SEL_CHx

DBQ

The ES9020 features a Digital Full Biquad (DBQ) filter for the DAC datapath for TDM or PCM input modes. The filter comes with 16 preset filters and the ability to make a custom filter via user input coefficients.

The custom filter uses 5 signed 24-bit coefficients to shape the filter: $-A_2$, $-A_1$, B_2 , B_1 , and B_0 .

DBQ Filter Registers

- Register 51[4:0] DBQ_COEFF_SEL (preset filter selection)
- Register 52-54 PROG DBQ A2 COEFF
- Register 55-57 PROG DBQ A1 COEFF
- Register 58-60 PROG DBQ B2 COEFF
- Register 61-63 PROG DBQ B1 COEFF
- Register 64-66 PROG DBQ B0 COEFF

The DBQ is arranged in a transposed direct form 2 format.

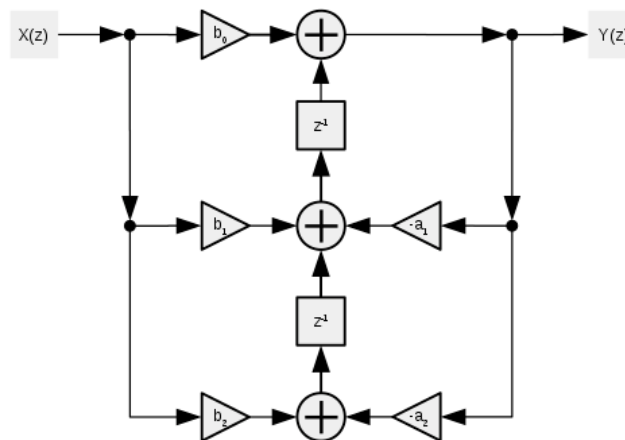


Figure 17 - DBQ format

Note: The ES9020 Digital Full Biquad is only supported for TDM or PCM input modes.

ES9020 Product Datasheet

Volume Control & Mute

The Volume Control and Mute is intended for use during audio playback. Each channel can be digitally attenuated from +1dB to -126dB in 0.5dB steps. When a new volume level is set, the attenuation circuit will ramp softly to the new level at a rate specified in the VOLUME UP RAMP RATE and VOLUME DOWN RAMP RATE registers.

The ES9020 also features the ability to manually mute specific channels, invert the volume control phase as well as control both channel volumes with the CH1 volume control.

Volume Control Registers

- Register 31-32 VOLUME CHx
- Register 33[3:2] MUTE_CHx
- Register 33[1:0] VOL_PHASE_INV_CHx
- Register 34[7] MONO_VOLUME
- Register 35 VOL_RAMP_RATE_UP
- Register 36 VOL_RAMP_RATE_DOWN

Automute

The ES9020 features an automute that triggers when the signal is below the specified level for longer than the specified time. The automute will disengage when the signal is above the specified off value for the same amount of time.

Note: Automute in DSD mode has additional registers that require configuration.

$$Time[s] = \frac{2^{25}}{AUTOMUTE_TIME * MCLK_128FS * 2^{64FS_MODE}}$$

$$Level[dB] = \frac{20 * \log_{10}(AUTOMUTE_LEVEL)}{(2^{16} - 1) * 2^7}$$

$$Level_{OFF}[dB] = \frac{20 * \log_{10}(AUTOMUTE_OFF_LEVEL)}{(2^{16} - 1) * 2^7}$$

Automute Registers

- Register 38[1:0] AUTOMUTE_EN_CHx
- Register 39-40 [10:0] AUTOMUTE_TIME
- Register 41-42 AUTOMUTE_LEVEL
- Register 43-44 AUTOMUTE_OFF_LEVEL

DSD Automute Settings Registers

- Register 39-40[15] DSD_FAULT_DETECT_EN
- Register 39-40[14] DSD_DC_AM_ENB
- Register 39-40[13] DSD_MUTE_AM_ENB

Digital Gain

The ES9020 has an additional digital gain that can be added through registers. Settings for +0dB to +42dB in 6dB steps are available.

Gain Registers

- Register [6:4] DIGITAL_GAIN_CH1
- Register [2:0] DIGITAL_GAIN_CH2

8x FIR Filter

Selection of the 8x interpolation filter is chosen from 8 pre-programmed filters. The 8x filter can be bypassed by setting BYPASS_FIR to 2'b11. For more information on filters see the Pre-Programmed Digital Filters section.

Pre-Programmed Filters

- Minimum Phase (default)
- Linear Phase Apodizing Fast Roll-Off
- Linear Phase Fast Roll-Off
- Linear Phase Fast Roll-Off Low-Ripple
- Linear Phase Slow Roll-Off
- Minimum Phase Fast Roll-Off
- Minimum Phase Slow Roll-Off
- Minimum Phase Slow Roll-Off Low Dispersion

8x FIR Registers

- Register 30[2:0] FILTER_SHAPE
- Register 30[4:3] BYPASS_FIR

IIR Filter

The IIR filter can be bypassed using Register 30[5] BYPASS_IIR

Soft Ramp

The ES9020 ramps the output to ground to save power when a mute condition is met. This ability can be disabled and the time it takes to ramp can be set using SOFT_RAMP_TIME and MUTE_RAMP_TO_GROUD.

$$Time[s] = \frac{2^{15+SOFT_RAMP_TIME}}{MCLK * 2^{MCLK_RATE_SEL}}$$

Soft Ramp Registers

- Register 34[5] MUTE_RAMP_TO_GROUND
- Register 34[4:0] SOFT_RAMP_TIME
- Register 3[3:2] MCLK_RATE_SEL
 - Used for soft ramp time equation

ES9020 Product Datasheet

GPIO Configuration

GPIO_CONFIG	Function	I/O Direction
0	Analog Outputs Off	Shutdown
1	Output 1'b0	Output
2	Output 1'b1	Output
3	Reserved	-
4	PLL Locked Flag	Output
5	DAC Minimum Volume Flag	Output
6	DAC Automute Status	Output
7	DAC Soft Ramp Done Flag	Output
8	Mute DAC	Input
9	System Mode Control	Input
10	Reserved	-
11	BCK/WS Monitor	Output
12-14	Reserved	-
15	MCLK_128FS	Output

Table 13 - GPIO Configuration

GPIOx Default states:

GPIO1: Automute Status
 GPIO2-8: Analog Shutdown

Analog Outputs Off

The GPIO is shut down and has no functionality.

Output 1'b0

Outputs a constant 1'b0.

Output 1'b1

Outputs a constant 1'b1.

PLL Locked Flag

Outputs HIGH if the PLL is locked.

Relevant Readback Register

- Register 224 [0] PLL_LOCKED

Minimum Volume Flag

Outputs HIGH when the DAC is muted. This can occur from manually muting, automuting, and setting the volume registers to 0xFF.

The output can be a channel specific flag, the logical AND of all flags (default), or the logical OR of all the flags.

Relevant Registers

- Register 28[0] GPIO_AND_VOL_MIN sets the output to be the logical OR of all channels' vol min flags.
- Register 28[3] GPIO_OR_VOL_MIN sets the output to be the logical AND of all channels' vol min flags.
- Register 28[6] FLAG_CH_SEL selects which of the individual DAC channel flags to output.
 - Requires both GPIO_AND_VOL_MIN and GPIO_OR_VOL_MIN to be 1'b0

Relevant Readback Register

- Register 232 [1][0] VOL_MIN_CHx

Automute Status Flag

Outputs HIGH when the DACs automute condition is met. The output can be a channel specific flag, the logical AND of all flags (default), or the logical OR of all the flags.

Relevant Registers

- Register 28[1] GPIO_AND_AUTOMUTE sets the output to be the logical AND of all channels' automute flags
- Register 28[4] GPIO_OR_AUTOMUTE sets the output to be the logical OR of all channels' automute flags
- Register 28[6] FLAG_CH_SEL sets the output to be one of the individual channels' flags
 - Requires both GPIO_AND_AUTOMUTE and GPIO_OR_AUTOMUTE to be 1'b0

Relevant Readback Register

- Register 232 [3][2] AUTOMUTE_CHx

Soft Ramp Done Flag

Outputs HIGH when the DAC is not in the process of ramping up or down. The output can be a channel specific flag, the logical AND of all flags (default), or the logical OR of all the flags.

Relevant Registers

- Register 28[2] GPIO_AND_SS_RAMP sets the output to be the logical AND of all channels soft ramp flags
- Register 28[5] GPIO_OR_SS_RAMP sets the output to be the logical OR of all channels soft ramp flags
- Register 28[6] FLAG_CH_SEL sets the output to be one of the individual channels' flags
 - Requires both GPIO_AND_SS_RAMP and GPIO_OR_SS_RAMP to be 1'b0

Relevant Readback Register

- Register 232 [7][6] SS_RAMP_DOWN_CHx
- Register 232 [5][4] SS_RAMP_UP_CHx

ES9020 Product Datasheet

Mute DAC

Mutes all DAC channels.

System Mode Control

Change the system mode (enable/disable datapath) via GPIO. Register 27[4] GPIO_DAC_MODE changes whether a 1 on the GPIO will enable or disable the datapath.

When GPIOx input is 1'b0, the system mode will be determined by Register 0[0] DAC_MODE_REG.

Relevant Registers

- Register 27[4] GPIO_DAC_MODE
 - 1'b0: Disable datapath when GPIOx input is 1'b1
 - 1'b1: Enable datapath when GPIOx input is 1'b1
- Register 0[0] ENABLE_DAC

BCK/WS Monitor

Outputs the status of the BCK and WS monitors. HIGH if either monitor detects an invalid signal.

BCK is considered invalid if the ratio $MCLK/BCK > 1024$.

WS is considered invalid if the ratio $BCK/WS > 1024$.

Relevant Registers

- Register 6[7] ENABLE_WS_MONITOR
- Register 6[6] ENABLE_BCK_MONITOR

Relevant Readback Register

- Register 230 [6] BCK_INVALID
- Register 230 [5] WS_INVALID

MCLK_128FS

Outputs the MCLK_128FS clock.

Requires Reg 0[0] ENABLE_DAC to enable the clock.

Pre-Programmed Digital Filters

The ES9020 has 8 pre-programmed digital filters. The latency for each filter reduces (scales) with increasing sample rates. (See Register 30[2:0] FILTER_SHAPE for configuration)

#	Filter	Description
1	Minimum Phase (default)	Version 2 of minimum phase fast roll-off (#6) with less ripple and more image rejection
2	Linear Phase Apodizing Fast Roll-Off	Full image rejection by FS/2 to avoid any aliasing, with smooth roll-off starting before 20k.
3	Linear Phase Fast Roll-Off	Sabre legacy filter, optimized for image rejection @ 0.55FS
4	Linear Phase Fast Roll-Off Low-Ripple	Sabre legacy filter, optimized for in-band ripple
5	Linear Phase Slow Roll-Off	Sabre legacy filter, optimized for lower latency, but symmetric impulse response
6	Minimum Phase Fast Roll-Off	Low latency, minimal pre ringing and low passband ripple, image rejection @ 0.55FS
7	Minimum Phase Slow Roll-Off	Lowest latency at the cost of image rejection
8	Minimum Phase Slow Roll-Off Low Dispersion	Provides a nice balance of the low latency of minimum phase filters and the low dispersion of linear phase filters. Minimal pre-ringing is added to achieve the low dispersion in the audio band.

Table 14 - Pre-Programmed Digital Filter Descriptions

Note: Minimum phase filters are asymmetric filters that work to minimize the pre-echo of the filter, while still maintaining an excellent frequency response and they peak earlier than linear phase filters, resulting in a lower group delay. Minimum phase filters usually feature zero cycles of pre-echo, which can result in improved audio quality.

ES9020 Product Datasheet

PCM Filter Latency

The following table shows the simulated latency of each filter at 44.1kHz sampling rate. Measurements were taken from the external impulse response. The extra sample delay to get the data encoded accounts for external processing time to serialize the data stream. Latency will reduce (scale) with sampling rate.

Digital Filter	Delay
Minimum Phase (default)	5.31 / FS
Linear Phase Apodizing Fast Roll-Off	34.67 / FS
Linear Phase Fast Roll-Off	35.30 / FS
Linear Phase Fast Roll-Off Low-Ripple	33.23 / FS
Linear Phase Slow Roll-Off	7.73 / FS
Minimum Phase Fast Roll-Off	5.31 / FS
Minimum Phase Slow Roll-Off	4.34 / FS
Minimum Phase Slow Roll-Off Low Dispersion	11.27 / FS

Table 15 - PCM Filter Latency



PCM Filter Properties

Minimum Phase					
Parameter	Conditions	MIN	TYP	MAX	UNIT
Pass band				0.49 FS	Hz
Stop band	-95.46 dB	0.55 FS			Hz
Group Delay		2.91/FS		9.01/FS	s
Flatness (ripple)	0.0013				dB

Linear Phase Apodizing					
Parameter	Conditions	MIN	TYP	MAX	UNIT
Pass band				0.44 FS	Hz
Stop band	-104.2 dB	0.50 FS			Hz
Group Delay			32.81 FS		s
Flatness (ripple)	0.0028				dB

Linear Phase Fast Roll-Off					
Parameter	Conditions	MIN	TYP	MAX	UNIT
Pass band				0.48 FS	Hz
Stop band	-108.7 dB	0.55 FS			Hz
Group Delay			33.43/FS		s
Flatness (ripple)	0.0032				dB

Linear Phase Fast Roll-Off Low Ripple					
Parameter	Conditions	MIN	TYP	MAX	UNIT
Pass band				0.49 FS	Hz
Stop band	-88.9 dB	0.55 FS			Hz
Group Delay			31.37/FS		s
Flatness (ripple)	0.0013				dB

Linear Phase Slow Roll-Off					
Parameter	Conditions	MIN	TYP	MAX	UNIT
Pass band	-3 dB			0.43 FS	Hz
Stop band	-90.6	0.75 FS			Hz
Group Delay			5.87/FS		s
Flatness (ripple)					dB

Minimum Phase Fast Roll-Off					
Parameter	Conditions	MIN	TYP	MAX	UNIT
Pass band				0.48 FS	Hz
Stop band	-97.8 dB	0.55 FS			Hz
Group Delay		2.91/FS		9.14/FS	s
Flatness (ripple)	0.0024				dB

ES9020 Product Datasheet

Minimum Phase Slow Roll-Off					
Parameter	Conditions	MIN	TYP	MAX	UNIT
Pass band	-3 dB			0.43 FS	Hz
Stop band	-90.8 dB	0.80 FS			Hz
Group Delay		2.08/FS		3.56/FS	s
Flatness (ripple)					dB

Minimum Phase Slow Roll-Off Low Dispersion					
Parameter	Conditions	MIN	TYP	MAX	UNIT
Pass band	-3 dB			0.43 FS	Hz
Stop band	-90.9 dB	0.80 FS			Hz
Group Delay		9.23/FS		9.75/FS	s
Flatness (ripple)					dB

Table 16 - PCM Filter Properties

PCM Filter Frequency Response

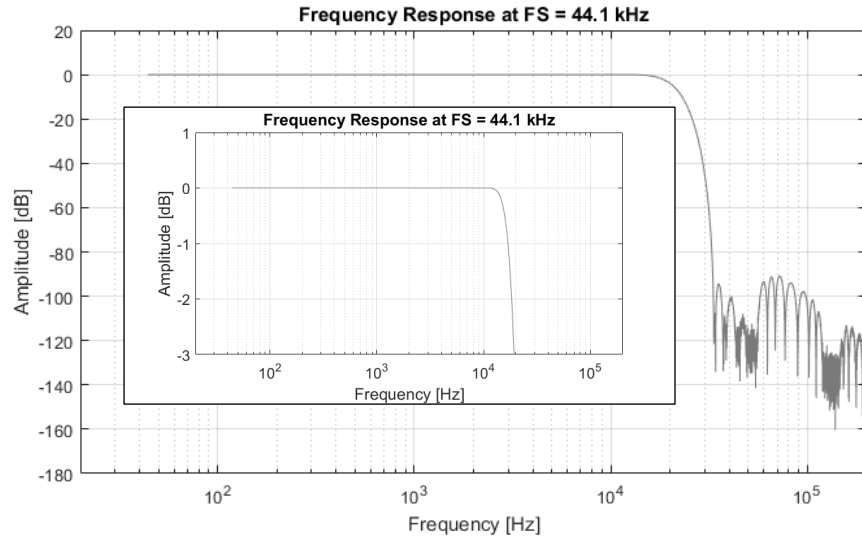
The following frequency responses were obtained from software simulations of these filters. Simulation sample rate is 44.1kHz.

Filter	Frequency Response
Minimum Phase	<p style="text-align: center;">Frequency Response at FS = 44.1 kHz</p>
Linear Phase Apodizing	<p style="text-align: center;">Frequency Response at FS = 44.1 kHz</p>

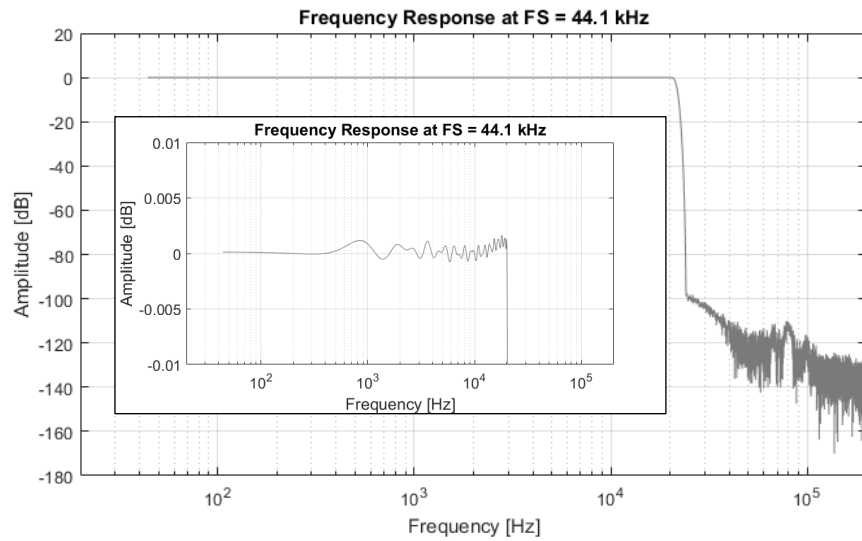


<p>Linear Phase Fast Roll-Off</p>	<p>The plot shows the frequency response at a sampling rate of 44.1 kHz. The main graph plots Amplitude [dB] from -180 to 20 against Frequency [Hz] on a logarithmic scale from 10² to 10⁵. The passband is flat at 0 dB until approximately 20 kHz, where it drops sharply to -120 dB. The stopband shows significant ripple between -120 dB and -160 dB. An inset graph zooms in on the passband from 10² to 10⁵ Hz, showing a flat response at 0 dB with small oscillations (ripple) that increase in amplitude as frequency approaches the roll-off point.</p>
<p>Linear Phase Fast Roll-Off Low Ripple</p>	<p>The plot shows the frequency response at a sampling rate of 44.1 kHz. The main graph plots Amplitude [dB] from -180 to 20 against Frequency [Hz] on a logarithmic scale from 10² to 10⁵. The passband is flat at 0 dB until approximately 20 kHz, where it drops sharply to -120 dB. The stopband shows very low ripple, staying consistently between -120 dB and -160 dB. An inset graph zooms in on the passband from 10² to 10⁵ Hz, showing a flat response at 0 dB with very small oscillations (ripple) that increase in amplitude as frequency approaches the roll-off point.</p>

Linear Phase Slow Roll-Off



Minimum Phase Fast Roll-Off





<p>Minimum Phase Slow Roll-Off</p>	
<p>Minimum Phase Slow Roll-Off Low Dispersion</p>	

Table 17 - PCM Filter Frequency Response

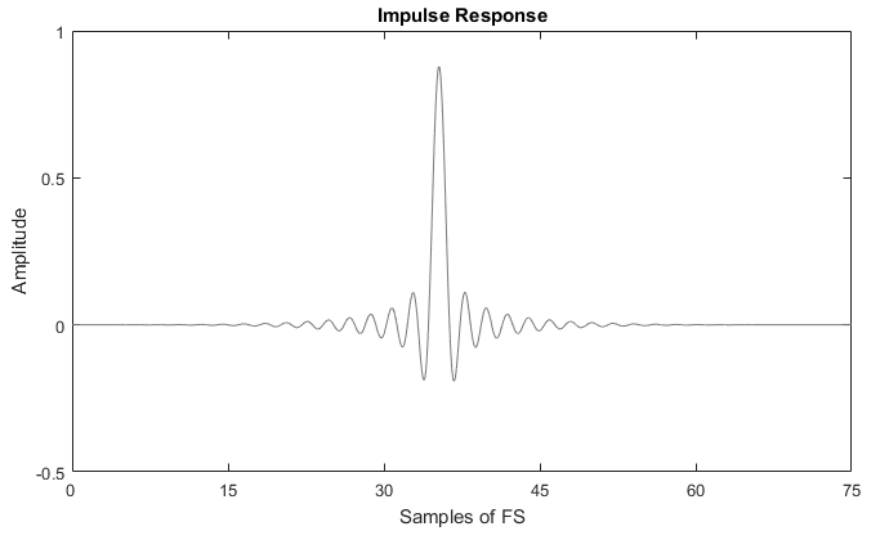
PCM Filter Impulse Response

The following impulse responses were obtained from software simulations of these filters. They were measured from the external impulse response. The extra sample delay to get the data encoded accounts for external processing time to serialize data stream.

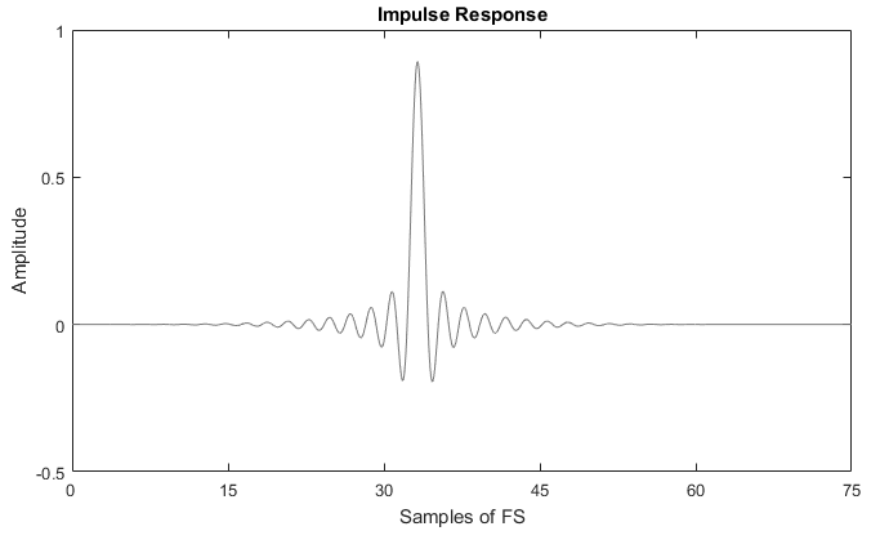
Filter	Impulse Response
Minimum Phase	
Linear Phase Apodizing	

ES9020 Product Datasheet

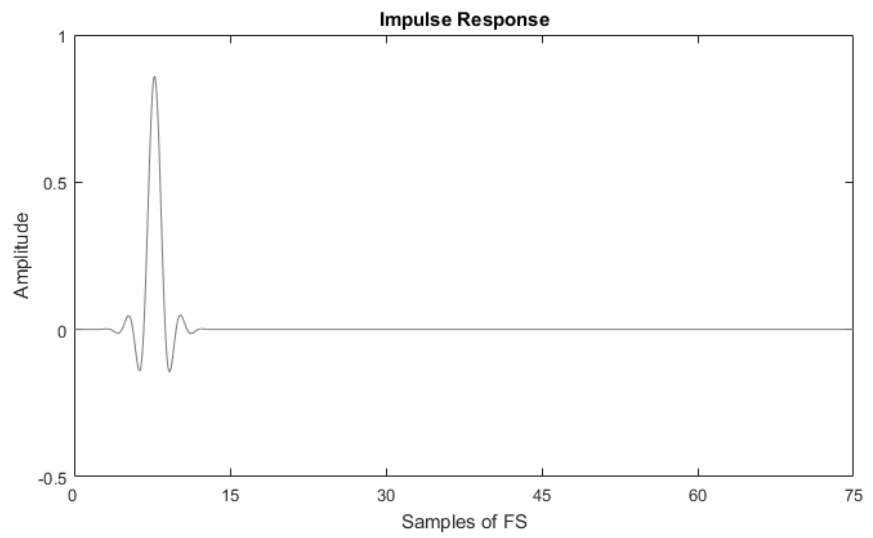
Linear Phase Fast Roll-Off



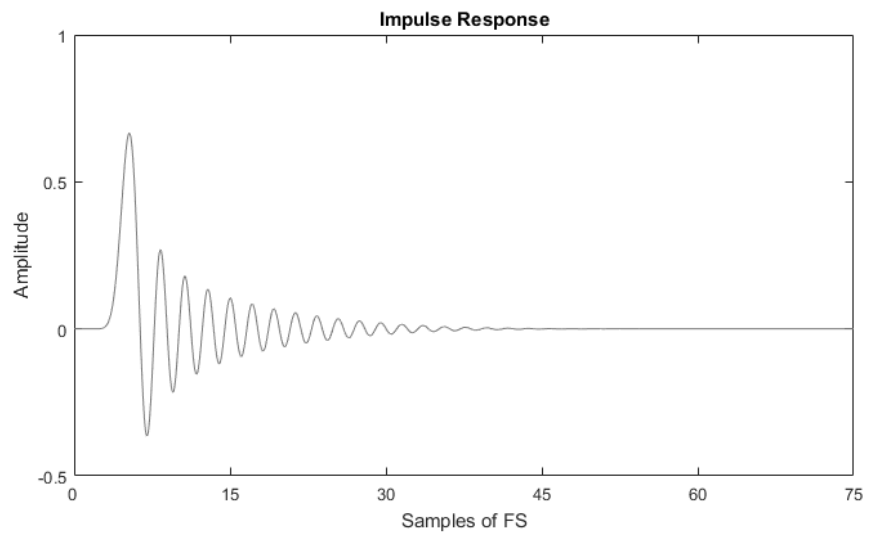
Linear Phase Fast Roll-Off
Low Ripple



Linear Phase Slow Roll-Off



Minimum Phase Fast Roll-Off



ES9020 Product Datasheet

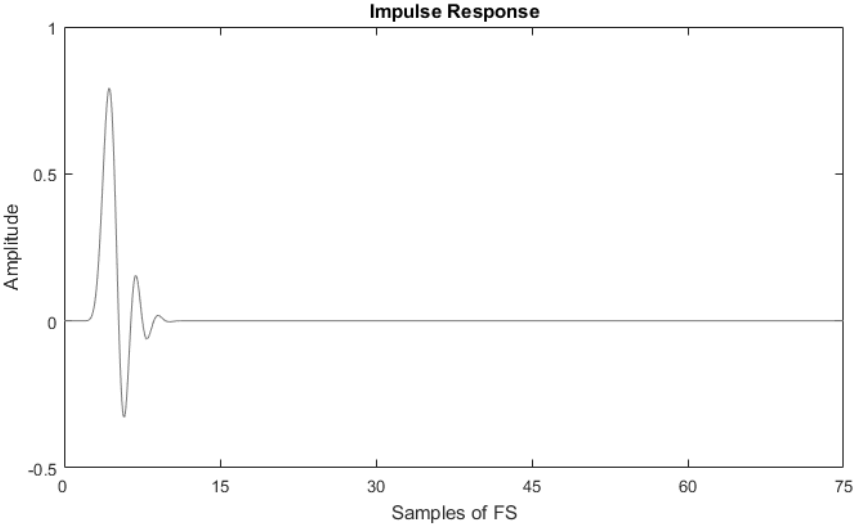
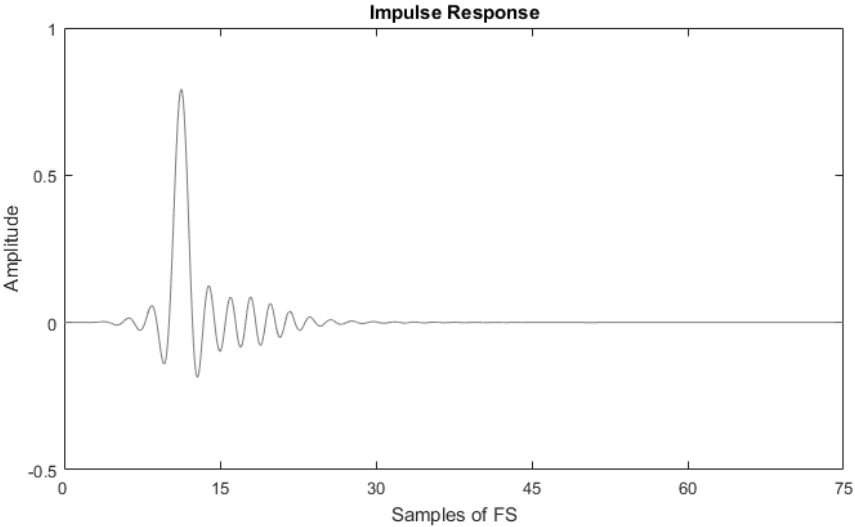
<p>Minimum Phase Slow Roll-Off</p>	
<p>Minimum Phase Slow Roll-Off Low Dispersion</p>	

Table 18 - PCM Filter Impulse Response

64FS Mode

When the MCLK/FS ratio is 64, it is necessary for the ES9020 to be running in 64FS Mode. 64FS Mode can be enabled by setting:

Software Register

- Register 0[1] ENABLE_64FS_MODE = 1'b1
 - Manually enables 64FS mode
 - Should be used with high sample rates like 705.6kHz & 768kHz
- Register 1[2] AUTO_FS_DETECT
 - Sets the MCLK_128FS divider according to MCLK/FS ratio
 - Automatically enables 64FS mode when MCLK/FS ratio is 64
 - AUTO_FS_DETECT can be blocked from entering 64FS mode by setting Register 0[3] AUTO_FS_DETECT_BLOCK_64FS = 1'b1

Minimum Phase 64FS Mode Latency

The following table shows the simulated latency at 705.6kHz sampling rate and is very similar at 768kHz. Measurements were taken from the external impulse response. The extra sample delay to get the data encoded accounts for external processing time to serialize the data stream. Latency delay will reduce (scale) with sampling rate.

Digital Filter	Delay
Minimum Phase 64FS	3.61 / FS

Table 19 - Minimum Phase 64FS Latency

Minimum Phase 64FS Properties

Minimum Phase 64FS Mode					
Parameter	Conditions	MIN	TYP	MAX	UNIT
Pass band	-3 dB			0.45 FS	Hz
Stop band	-61.3 dB	0.68 FS			Hz
Group Delay		1.54/FS		2.35/FS	s
Flatness (ripple)					dB

Table 20 - Minimum Phase 64FS Properties

ES9020 Product Datasheet

Minimum Phase 64FS Frequency Response

This filter gets selected automatically when $MCLK/FS = 64$. The following frequency response was obtained from software simulations with a sample rate of 705.6kHz.

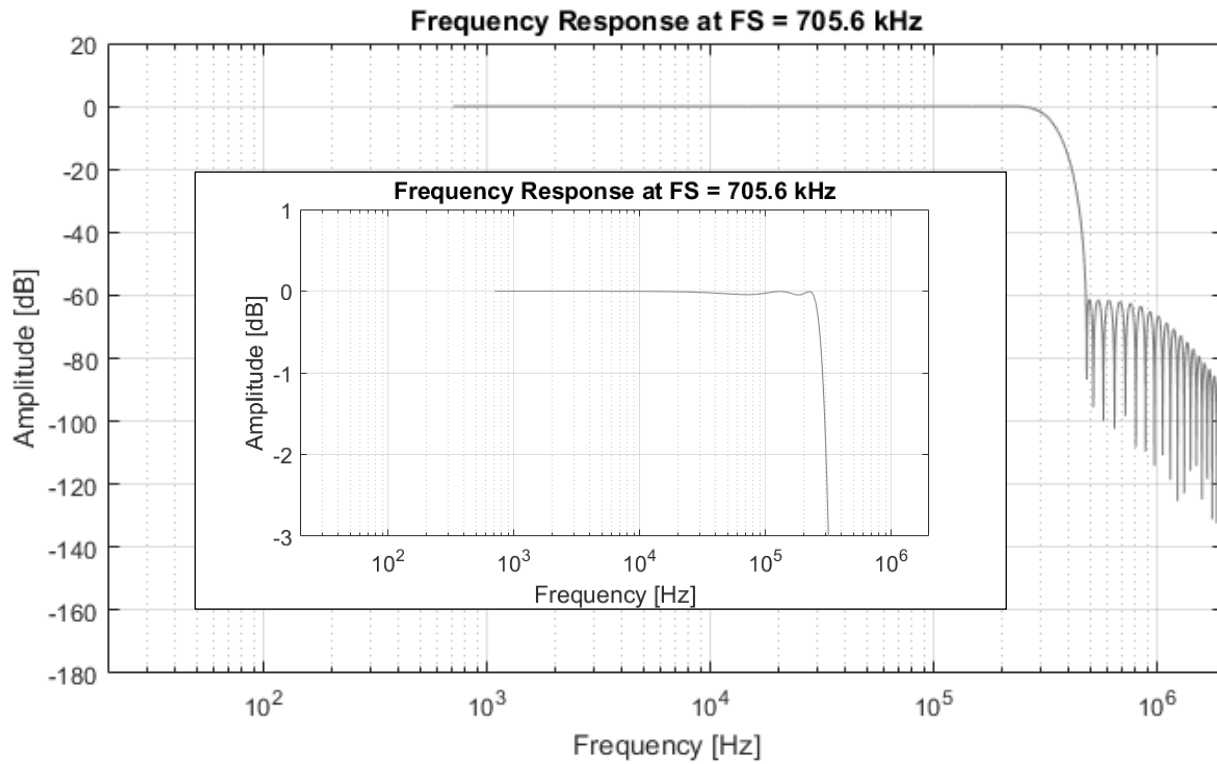


Figure 18 - Minimum Phase 64FS Frequency Response

Minimum Phase 64FS Frequency Response

The following impulse responses were obtained from software simulations of these filters. They were measured from the external impulse response. The extra sample delay to get the data encoded accounts for external processing time to serialize data stream.

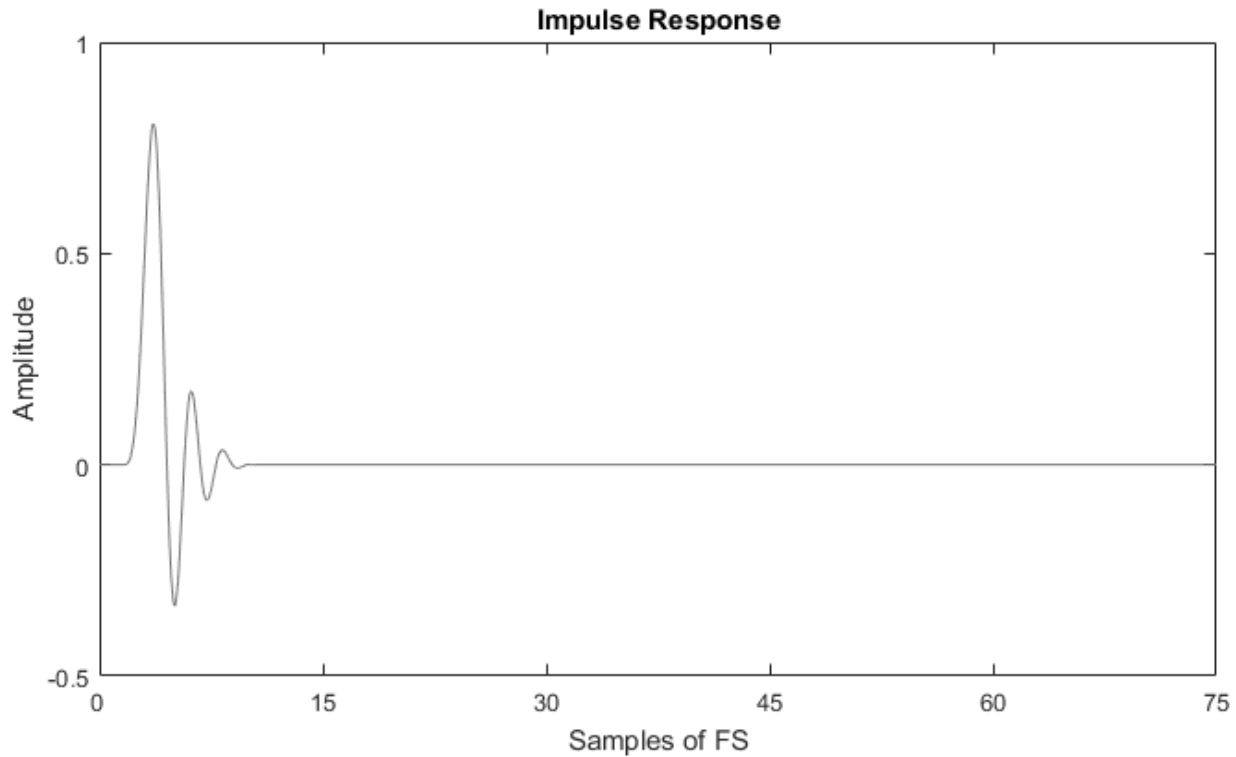


Figure 19 - Minimum Phase 64FS Impulse Response

ES9020 Product Datasheet

Daisy Chain

The ES9020 supports connecting multiple devices together in a daisy chain configuration. Up to 16 devices can be daisy chained together to output data onto any of the 32 channels in a TDM data line. The digital input to Chip#1 through DATA2 is output through GPIO3 for the Chip#2 down the chain. See Application Note for more information.

Note: While operating in 32 or 24bit word widths, TDM must be configured into I²S mode.

DAC RSD	DAC TSD
DATA2	GPIO3

Table 21 - Daisy Chain Pins

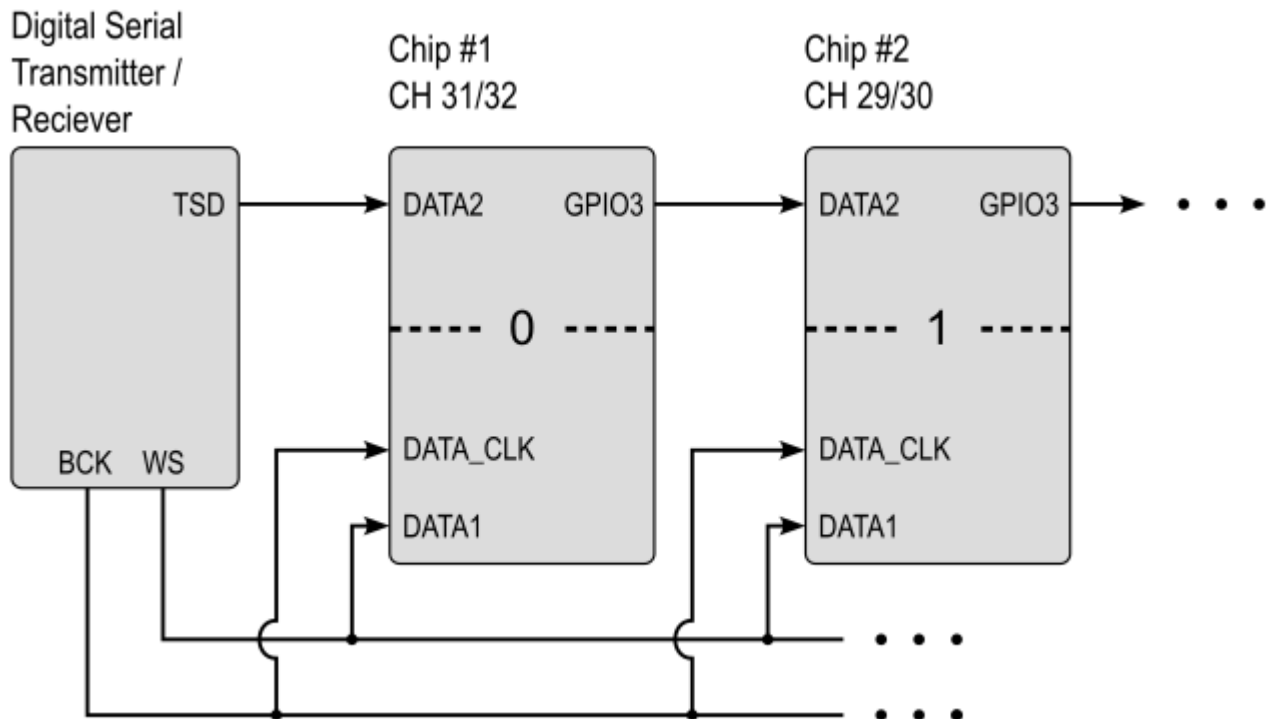


Figure 20 - Daisy Chain Configuration

Sample Rate Readback

The sample rate (FS) of the ES9020 can be acquired using a combination of registers. The sample rate can be calculated using the manually set sample rate registers or the auto fs detect readback registers.

Calculation of the sample rate:

$$FS [Hz] = \frac{Y * MCLK}{(X + 1) * \left(\frac{128}{2^Z}\right)}$$

Variable	Manually Set	Auto FS Detect Readback
X (6 bits)	Register 2[5:0] MCLK_128FS_DIV	Register 229[5:0] MCLK_128FS_DIV_AUTO
Y (1 bit)	Register 2[6] MCLK_128FS_HALF_DIV	Register 229[6] MCLK_128FS_HALF_DIV_AUTO
Z (1 bit)	Register 0[1] ENABLE_64FS_MODE	Register 27[2] ENABLE_64FS_MODE_AUTO
MCLK		Master Clock frequency

Table 22 - Sample Rate Readback Variables

Analog Features

APLL

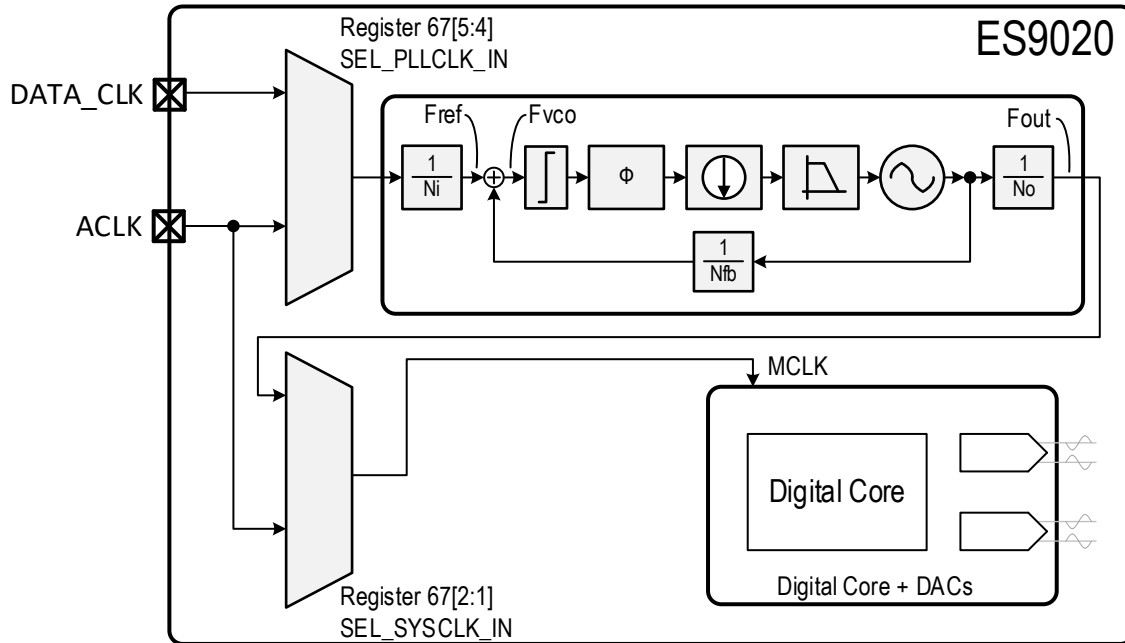


Figure 21 - Functional Block Diagram of ES9020 APLL

The ES9020 has an integrated Analog PLL (APLL) for generating an MCLK internally. The APLL can be used in slave mode to create the MCLK from a bit clock or DSD clock through DATA_CLK pin. The APLL can also be used in master mode to create an asynchronous sample rate, ie create 44.1kHz sample rates from a 48kHz based clock. In the asynchronous case, there is additional noise that degrades the DNR due to the asynchronous PLL setting.

For the application note on the APLL, please ask your FAE or distributor.

For calculation of the PLL frequency output, use the following formulas:

$$F_{ref} = \left(\frac{F_{in}}{N_i} \right) \quad F_{vco} = \left(\frac{F_{in}}{N_i} \right) * N_{fb} \quad N_{fb} = \frac{2^{25}}{FBDIV} \quad F_{out} = \left(\frac{F_{in}}{N_i} \right) * \frac{N_{fb}}{N_o}$$

Where:

- a. FBDIV is a 24-bit number
- b. PLL frequency range requirements:
 - a. Fref requirement: 2.5MHz < Fref < 12 MHz
 - b. Fvco requirement: 90MHz < Fvco < 110MHz
 - c. Fout requirement: 22.5792/24.576MHz
- c. Ni = input divider
 - Accessible from Reg 73-75[8:0] PLL_CLK_IN_DIV
- d. No = output divider
 - Accessible from Reg 73-75[15:12] PLL_CLK_OUT_DIV
- e. Nfb = feedback divider
 - Accessible from Reg 70-72 PLL_CLK_FB_DIV

44.1kHz Base Rates (SYNC Slave Mode)							
FS (kHz)	DATA_CLK (MHz)	Ni	Fref (MHz)	FBDIV	Fvco (MHz)	No	Fout (MHz)
32-Bit Frame							
352.8	22.5792	1	22.5792	8388608	90.3168	4	22.5792
176.4	11.2896	1	11.2896	4194304	90.3168	4	22.5792
88.2	5.6448	1	5.6448	2097152	90.3168	4	22.5792
44.1	2.8224	1	2.8224	1048576	90.3168	4	22.5792
16-Bit Frame							
352.8	11.2896	1	11.2896	4194304	90.3168	4	22.5792
176.4	5.6448	1	5.6448	2097152	90.3168	4	22.5792
88.2	2.8224	1	2.8224	1048576	90.3168	4	22.5792
44.1	1.4112	1	1.4112	524288	90.3168	4	22.5792

Table 23 - APLL Divider Values for 44.1kHz Base Rates

48kHz Base Rates (SYNC Slave Mode)							
FS (kHz)	DATA_CLK (MHz)	Ni	Fref (MHz)	FBDIV	Fvco (MHz)	No	Fout (MHz)
32-Bit Frame							
384	24.576	1	24.576	8388608	98.304	4	24.576
192	12.288	1	12.288	4194304	98.304	4	24.576
96	6.144	1	6.144	2097152	98.304	4	24.576
48	3.072	1	3.072	1048576	98.304	4	24.576
16-Bit Frame							
384	12.288	1	12.288	4194304	98.304	4	24.576
192	6.144	1	6.144	2097152	98.304	4	24.576
96	3.072	1	3.072	1048576	98.304	4	24.576
48	1.536	1	1.536	524288	98.304	4	24.576

Table 24 - APLL Divider Values for 48kHz Base Rates

ES9020 Product Datasheet

Absolute Maximum Ratings

PARAMETER	RATING
Positive Supply Voltage <ul style="list-style-type: none"> • AVCC • AVDD • VCCA • DVDD (Internally generated) 	<ul style="list-style-type: none"> • +3.7V with respect to ground • +3.7V with respect to ground • +3.7V with respect to ground • +1.4V with respect to ground
Storage Temperature	-65°C to +150°C
Operating Junction Temperature	+125°C
Voltage Range for Digital Input Pins	-0.3V to AVDD (nom) +0.3V

Table 25 - Absolute Maximum Ratings

WARNING: Stresses beyond those listed under here may cause permanent damage to the device. These are stress ratings only and functional operation of the device at these or any other conditions beyond those indicated under Recommended Operating Conditions is not implied.

ESD Ratings

ESD Standard	Rating
Human Body Model (HBM), ANSI/ESDA/JEDEC JS-001	2kV
Charge Device Model (CDM), ANSI/ESDA/JEDEC JS-002	500V

Table 26 - ESD Ratings

WARNING: Electrostatic Discharge (ESD) can damage this device. Proper procedures must be followed to avoid ESD when handling this device.

IO Electrical Characteristics

PARAMETER	SYMBOL	MINIMUM	MAXIMUM	UNIT
High-level input voltage	VIH	$(AVDD / 2) + 0.4$		V
Low-level input voltage	VIL		0.4	V
High-level output voltage	VOH	$AVDD - 0.2$		V
Low-level output voltage	VOL		0.2	V

Table 27 - I/O Electrical Characteristics



Switching Characteristics

Parameter	Notes	Min.	Typ.	Max.	Unit
MCLK¹					
Frequency		6.144	-	49.152	MHz
Duty Cycle		45	-	55	%
PCM Mode²					
WS Frequency (Word Select Clock)		8	-	MCLK/128	kHz
BCLK Frequency (Bit Clock)		(16*2*WS)	TDM_BIT_WIDTH)* (TDM_CH_NUM+1)*WS	MCLK	MHz
WS Frequency (Word Select Clock)	64FS Mode ³	352.8	MCLK/64	768	kHz
BCLK Frequency (Bit Clock)		22.5792	MCLK	49.152	MHz
TDM Mode					
WS Frequency (Word Select Clock)	TDM4	8kHz	-	MCLK/128	kHz
	TDM8		-	MCLK/256	kHz
	TDM16		-	MCLK/512	kHz
	TDM32		-	MCLK/1024	kHz
BCLK Frequency (Bit Clock)		(16*2*WS)	(TDM_BIT_WIDTH)* (TDM_CH_NUM+1)*WS	MCLK	MHz
DSD Mode					
DSD Clock Frequency		2.8224	-	MCLK/2	MHz

Table 28 - Switching Characteristics

¹ MCLK must be synchronous to the digital audio clock

² In hardware mode, only 32-bit word widths are supported for both PCM and TDM unless otherwise specified.

³ 64FS mode is for 705.6/768kHz with 45.1584/49.152MHz or 352.8/384kHz with 22.5792/24.576MHz.

Timing Characteristics

Bit-Clock (BCLK) and Word-Select (WS) Timing

Test Conditions 1 (unless otherwise noted)

$T_A = 25^\circ\text{C}$, $AVCC_3V3_L = AVCC_3V3_R = AVCC_CP = AVDD = +3.3\text{V}$, $DVDD = \text{Internal}$, $f_s = 48\text{kHz}$, DAC enabled, 1kHz sine full scale.

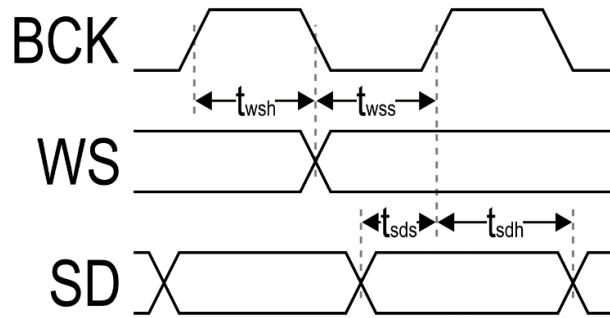
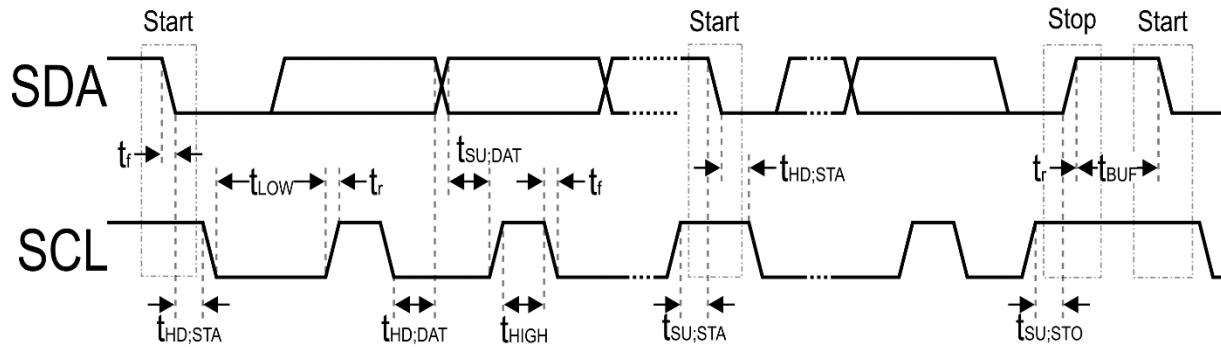


Figure 22 - Bit-Clock and Word-Select Timing

Parameter	Symbol	Min.	Typ.	Max.	Unit
WS hold time	t_{wsh}	-2	-	-	ns
WS setup time	t_{wss}	2.6	-	-	ns
SD hold time	t_{sds}	1.1	-	-	ns
SD setup time	t_{sdh}	2.8	-	-	ns

Table 29 - Bit-Clock and Word-Select Timing Definitions

I²C Slave Interface Timing

 Figure 23 - I²C Slave Control Interface Timing

Parameter	Symbol	CLK Constraint	Standard-Mode		Fast-Mode		Unit
			MIN	MAX	MIN	MAX	
SCL Clock Frequency	f_{SCL}	$< CLK/20$	0	100	0	400	kHz
START condition hold time	$t_{HD;STA}$		4.0	-	0.6	-	μs
LOW period of SCL	t_{LOW}	$>10/CLK$	4.7	-	1.3	-	μs
HIGH period of SCL ($>10/CLK$)	t_{HIGH}	$>10/CLK$	4.0	-	0.6	-	μs
START condition setup time (repeat)	$t_{SU;STA}$		4.7	-	0.6	-	μs
SDA hold time from SCL falling	$t_{HD;DAT}$		0	-	0	-	μs
- All except NACK read - NACK read only			2/CLK	-	2/CLK	-	s
SDA setup time from SCL rising	$t_{SU;DAT}$		250	-	100	-	ns
Rise time of SDA and SCL	t_r		-	1000	-	300	ns
Fall time of SDA and SCL	t_f		-	300	-	300	ns
STOP condition setup time	$t_{SU;STO}$		4	-	0.6	-	μs
Bus free time between transmissions	t_{BUF}		4.7	-	1.3	-	μs
Capacitive load for each bus line	C_b		-	400	-	400	pF

 Table 30 - I²C Slave/Synchronous Slave Interface Timing Definitions



SPI Slave Interface Timing

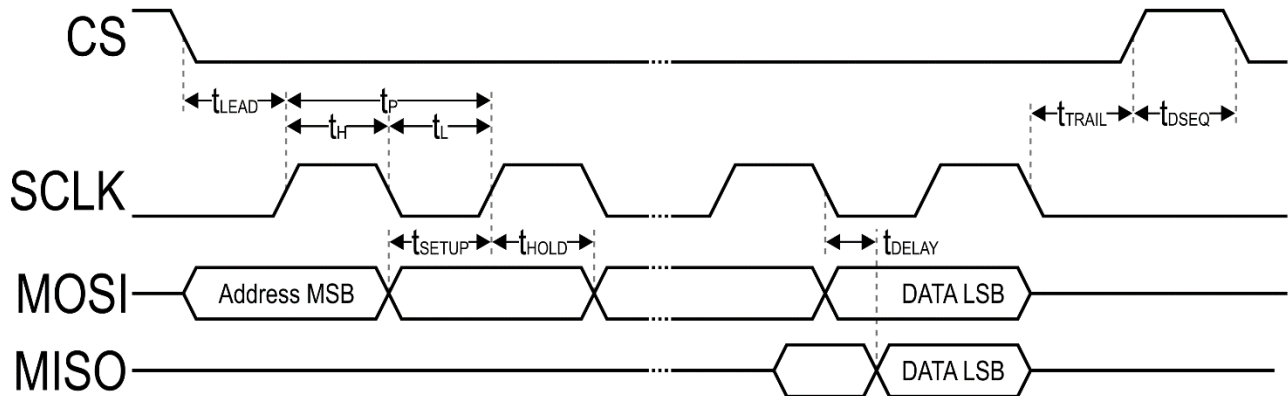


Figure 24 - SPI Slave Interface Timing

Parameter	Symbol	Min [ns]	Max [ns]
CS Lead Time (SCLK rising edge)	t_{LEAD}	4	-
CS Trail Time (SCLK falling edge)	t_{TRAIL}	4	-
MOSI Data Setup Time	t_{SETUP_MOSI}	-36	-
MOSI Data Hold Time	t_{HOLD_MOSI}	60	-
SCLK-MISO Delay Time	t_{DELAY_MISO}	-	74
SCLK Period	t_{P_SCLK}	122	-
SCLK High Pulse Duration	t_{H_SCLK}	94	-
SCLK Low Pulse Duration	t_{L_SCLK}	60	-
Sequential Transfer Delay	t_{DSEQ}	38	-

Table 31 - SPI Slave Interface Timing

Recommended Operating Conditions

PARAMETER	SYMBOL	CONDITIONS
Operating Temperature	T_A	-20°C to +85°C
AVDD		+3.3V
AVCC		+3.3V
VCCA		+3.3V
DVDD		Internal
VREF_BUF		Internal
VREF		Internal
PLL_REG		Internal

Table 32 - Recommended Operating Conditions

Power Consumption

Test Conditions (unless otherwise noted)

$T_A = 25^\circ\text{C}$, AVCC = AVDD = VCCA = +3.3V, FS=48kHz, MCLK = 49.152MHz, HW mode #3

AVDD supply includes DVDD current.

Parameter	Min	Typ.	Max	Unit
Standby (CHIP_EN=0)				
AVCC		<0.1		mA
VCCA		0		mA
AVDD		<0.1		mA
Total Power Consumption		<1mW		mw
Playback (input level = 0dBFS)				
AVCC		7.3		mA
VCCA		0.3		mA
AVDD		6.1		mA
Total Power Consumption		46		mW
Quiescent (input level = -999dBFS)				
AVCC		1.4		mA
VCCA		0.3		mA
AVDD		2.5		mA
Total Power Consumption		14		mW

Table 33 – ES9020 Power Consumption

Note: Current consumption can be reduced by externally supplying DVDD with 1.2V to decrease AVDD current or lowering the MCLK frequency.

ES9020 Product Datasheet

Performance

Test Conditions 1 (unless otherwise noted)

$T_A = 25^\circ\text{C}$, AVCC_3V3_L = AVCC_3V3_R = AVCC_CP = AVDD = +3.3V, fs = 48kHz, HW mode (I²S Master Mode)

Parameter		Min	Typ.	Max	Unit
Resolution			32		Bit
Max MCLK frequency	Note: Synchronous clocks required		49.152		MHz
THD+N Ratio @ fs=48kHz (differential)	0dBFS BW=20Hz-20kHz		-110		dB
THD+N Ratio @ fs=96kHz (differential)	0dBFS BW=20Hz-40kHz		-107		dB
THD+N Ratio @ fs=192kHz (differential)	0dBFS BW=20Hz-80kHz		-104		dB
THD+N Ratio @ fs=384kHz (differential)	0dBFS BW=20Hz-160kHz		-101		dB
DNR (A-weighted) (Stereo mode)	MCLK @ 49.152MHz	-60dBFS	122		dB
DNR (A-weighted) (Mono mode – 2 ch sum diff)	MCLK @ 49.152MHz		125		dB
Output impedance (Per + or – pin of each differential DAC output pair)	R _{DAC}		1.05 +/- 15%		k Ω

Table 34 – ES9020 Performance

Register Overview

A system clock is not required to access registers.

Read/Write Register Addresses

Registers 0-81 (0x00 - 0x51) are read and write registers.

Read-Only Register Addresses

Register 224-232 (0xE0 - 0xE8) are read only registers.

Multi-Byte Registers

Multi-Byte registers must be written from LSB to MSB. Data is latched when MSB is written.

Multi-Byte registers must be read from LSB to MSB. Data is latched when LSB is read.

MSB is always stored in the highest register address.



Register Map

Addr (Hex)	Addr (Dec)	Register	7	6	5	4	3	2	1	0	
0x00	0	SYS CONFIG	SOFT_RESET	RESERVED			AUTO_FS_DETECT_BLOCK_64FS	AUTO_FS_DETECT	ENABLE_64FS_MODE	ENABLE_DAC	
0x01	1	DIGITAL INPUT CONFIG	ENABLE_PDM_DECODE	ENABLE_DSD_DECODE	ENABLE_DOP_DECODE	ENABLE_TDM_DECODE	RESERVED	INPUT_SEL		AUTO_INPUT_SEL	
0x02	2	CLOCK CONTROL 1	RESERVED	MCLK_128FS_HALF_DIV	MCLK_128FS_DIV						
0x03	3	CLOCK CONTROL 2	RESERVED				MCLK_RATE_SEL		DAC_CLK_INV	RESERVED	
0x04	4	PCM MASTER CLK CONFIG	MASTER_BCK_DIV								
0x05	5	MASTER MODE CONFIG	SLAVE_BCK_INVERT	RESERVED			MASTER_WS_PULSE_MODE	MASTER_WS_INVERT	MASTER_BCK_INVERT	DSD_MASTER_MODE_EN	PCM_MASTER_MODE_EN
0x06	6	TDM CONFIG 1	TDM_RESYNC	AUTO_CH_DETECT	RESERVED	TDM_CH_NUM					
0x07	7	TDM CONFIG 2	ENABLE_WS_MONITOR	ENABLE_BCK_MONITOR	TDM_WORD_WIDTH		TDM_BIT_DEPTH		TDM_VALID_EDGE	TDM_LJ	
0x08	8	CH1 INPUT CONFIG	PDM_SAMPLE_EDGE	PDM_PHASE	DSD_LINE_SEL_CH1	TDM_SLOT_SEL_CH1					
0x09	9	CH2 INPUT CONFIG	PDM_2X_GAIN_EN	RESERVED	DSD_LINE_SEL_CH2	TDM_SLOT_SEL_CH2					
0x0A	10	TDM DAISY CHAIN	TDM_DAISY_CHAIN	RESERVED			TDM_DATA_LATCH_ADJ				
0x0B-0x16	11-22	RESERVED	RESERVED								
0x17	23	GPIO1/2 CONFIG	GPIO2_CFG				GPIO1_CFG				
0x18	24	GPIO3/4 CONFIG	GPIO4_CFG				GPIO3_CFG				
0x19	25	GPIO INPUT OUTPUT CONTROL	GPIO4_SDB	GPIO3_SDB	GPIO2_SDB	GPIO1_SDB	GPIO4_OE	GPIO3_OE	GPIO2_OE	GPIO1_OE	
0x1A	26	GPIO CONTROL	GPIO4_INV	GPIO3_INV	GPIO2_INV	GPIO1_INV	GPIO4_WK_EN	GPIO3_WK_EN	GPIO2_WK_EN	GPIO1_WK_EN	
0x1B	27	GPIO READ CONTROL	RESERVED				GPIO_DAC_MODE	GPIO4_READ	GPIO3_READ	GPIO2_READ	GPIO1_READ
0x1C	28	GPIO OUTPUT LOGIC	RESERVED	FLAG_CH_SEL	GPIO_OR_SS_RAMP	GPIO_OR_AUTOMUTE	GPIO_OR_VOL_MIN	GPIO_AND_SS_RAMP	GPIO_AND_AUT_OMUTE	GPIO_AND_VOL_MIN	
0x1D	29	RESERVED	RESERVED								
0x1E	30	DAC FILTER CONFIG	RESERVED		BYPASS_IIR	BYPASS_FIR		FILTER_SHAPE			
0x1F	31	VOLUME CH1	VOLUME_CH1								
0x20	32	VOLUME CH2	VOLUME_CH2								
0x21	33	MUTE AND VOL PHASE	RESERVED					MUTE_CH2	MUTE_CH1	VOL_PHASE_INV_CH2	VOL_PHASE_INV_CH1
0x22	34	SOFT RAMP CONFIG	MONO_VOLUME	RESERVED	MUTE_RAMP_TO_GROUND	SOFT_RAMP_TIME					
0x23	35	VOLUME UP RAMP RATE	VOL_RAMP_RATE_UP								
0x24	36	VOLUME DOWN RAMP RATE	VOL_RAMP_RATE_DOWN								
0x25	37	DIGITAL GAIN	RESERVED	DIGITAL_GAIN_CH2			RESERVED	DIGITAL_GAIN_CH1			
0x26	38	AUTOMUTE ENABLE	RESERVED							AUTOMUTE_EN_CH2	AUTOMUTE_EN_CH1
0x27	39		AUTOMUTE_TIME								
0x28	40	AUTOMUTE TIME	DSD_FAULT_DETECT_EN	DSD_DC_AM_ENB	DSD_MUTE_AM_ENB	RESERVED		AUTOMUTE_TIME			
0x29	41		AUTOMUTE_LEVEL								
0x2A	42		AUTOMUTE_LEVEL								
0x2B	43		AUTOMUTE_OFF_LEVEL								
0x2C	44		AUTOMUTE_OFF_LEVEL								
0x2D-0x32	45-50	RESERVED	RESERVED								
0x33	51	DBQ COEFF SEL	RESERVED				DBQ_COEFF_SEL				
0x34	52		DBQ_A2								
0x35	53	PROG DBQ A2 COEFF	DBQ_A2								
0x36	54		DBQ_A2								
0x37	55		DBQ_A1								
0x38	56	PROG DBQ A1 COEFF	DBQ_A1								
0x39	57		DBQ_A1								
0x3A	58		DBQ_B2								
0x3B	59	PROG DBQ B2 COEFF	DBQ_B2								
0x3C	60		DBQ_B2								
0x3D	61		DBQ_B1								
0x3E	62		DBQ_B1								
0x3F	63		DBQ_B1								
0x40	64		DBQ_B0								
0x41	65	PROG DBQ B0 COEFF	DBQ_B0								
0x42	66		DBQ_B0								
0x43	67	PLL CLOCK SELECT	RESERVED	PLL_CLK_PHASE_INV	SEL_PLLCLK_IN		EN_PLLCLK_IN	SEL_SYSCLK_IN		EN_SYSCLK_IN	
0x44	68	PLL VCO & CP	RESERVED				PLL_CP_PDB	PLL_VCO_PDB	PLL_CLKSMP_PDB	PLL_DIG_PDB	
0x45	69	PLL REGULATOR	RESERVED				PLL_REG_PDB	RESERVED			
0x46	70		PLL_CLK_FB_DIV								
0x47	71	PLL FEEDBACK DIV	PLL_CLK_FB_DIV								
0x48	72		PLL_CLK_FB_DIV								
0x49	73	PLL IN & OUT DIV	PLL_CLK_IN_DIV								



ES9020 Product Datasheet

0x4A	74		PLL_CLK_OUT_DIV			RESERVED		PLL_FB_DIV_LOAD	PLL_CLK_IN_DIV	
0x4B-0x51	75-81	RESERVED	RESERVED							
0xE0	224	INPUT FORMAT READ	RESERVED		DOP_VALID	DAC_TDM_VALID	INPUT_SEL_OVERRIDE		PLL_LOCKED	
0xE1	225	CHIP ID	CHIP_ID							
0xE2-0xE4	226-228	RESERVED	RESERVED							
0xE5	229	AUTO FS READ	EN_64FS_MODE_AUTO	MCLK_128FS_HALF_DIV_AUTO	MCLK_128FS_DIV_AUTO					
0xE6	230	PCM VALIDITY	RATIO_VALID	BCK_INVALID	WS_INVALID	AUTO_CH_NUM				
0xE7	231	GPIO READBACK	RESERVED				GPIO4_R	GPIO3_R	GPIO2_R	GPIO1_R
0xE8	232	DAC READBACK	SS_RAMP_DOWN_CH2	SS_RAMP_DOWN_CH1	SS_RAMP_UP_CH2	SS_RAMP_UP_CH1	AUTOMUTE_CH2	AUTOMUTE_CH1	VOL_MIN_CH2	VOL_MIN_CH1

Table 35 - Register Map

ES9020 Product Datasheet

Register Listing

System Registers

Register 0: SYS CONFIG

Bits	[7]	[6:4]	[3]	[2]	[1]	[0]
Default	1'b0	3'b000	1'b0	1'b1	1'b0	1'b0

Bits	Mnemonic	Description
[7]	SOFT_RESET	Performs soft reset to digital core, resetting the registers to their power-on defaults.
[6:4]	RESERVED	N/A
[3]	AUTO_FS_DETECT_BLOCK_64FS	Block AUTO_FS_DETECT from transitioning to 64FS mode when the detected MCLK/MCLK_128FS ratio is 64. <ul style="list-style-type: none"> 1'b0: Disabled (default) 1'b1: Enabled
[2]	AUTO_FS_DETECT	Automatically determine optimal (MCLK/MCLK_128FS ratio) according to detected FS. <ul style="list-style-type: none"> 1'b0: Disabled, use SELECT_MCLK_128FS_NUM to set ratio. 1'b1: Enabled, overrides SELECT_MCLK_128FS_NUM (default)
[1]	ENABLE_64FS_MODE	Enables 64FS mode for high sample rates. <ul style="list-style-type: none"> 1'b0: Disabled (default) 1'b1: Enabled
[0]	ENABLE_DAC	Enables the DAC interpolation path. <ul style="list-style-type: none"> 1'b0: Disabled (default) 1'b1: Enabled

Register 1: DIGITAL INPUT CONFIG

Bits	[7]	[6]	[5]	[4]	[3]	[2:1]	[0]
Default	1'b0	1'b1	1'b1	1'b1	1'd0	2'd0	1'b0

Bits	Mnemonic	Description
[7]	ENABLE_PDM_DECODE	Enables PDM (DSD Double Rate) decoding. <ul style="list-style-type: none"> 1'b0: Disabled (default) 1'b1: Enabled Note: Must be set to 1'b0 when desired input is DSD
[6]	ENABLE_DSD_DECODE	Enables DSD decoding. <ul style="list-style-type: none"> 1'b0: Disabled (default) 1'b1: Enabled
[5]	ENABLE_DOP_DECODE	Enables DoP decoding. <ul style="list-style-type: none"> 1'b0: Disabled (default) 1'b1: Enabled
[4]	ENABLE_TDM_DECODE	Enables I2S/TDM decoding. <ul style="list-style-type: none"> 1'b0: Disabled 1'b1: Enabled (default)
[3]	RESERVED	N/A
[2:1]	INPUT_SEL	Selects input data format when AUTO_INPUT_SEL is disabled. <ul style="list-style-type: none"> 2'd0: PCM (default) 2'd1: DSD 2'd2: DoP 2'd3: Reserved
[0]	AUTO_INPUT_SEL	Automatic input data selection config. <ul style="list-style-type: none"> 1'b0: Disables auto input select. Input data format is set by INPUT_SEL (default) 1'b1: Automatically determine the input data format.

Register 2: CLOCK CONTROL 1

Bits	[7]	[6]	[5:0]
Default	1'd0	1'b0	6'd3

Bits	Mnemonic	Description
[7]	RESERVED	N/A
[6]	MCLK_128FS_HALF_DIV	<ul style="list-style-type: none"> 1'b0: Divide by MCLK_128FS_DIV + 1 (default) 1'b1: Divide by half of MCLK_128FS_DIV + 1 Note: Can only produce half of an odd number divide
[5:0]	MCLK_128FS_DIV	Whole number divide value + 1 for MCLK_128FS (MCLK/divide_value). <ul style="list-style-type: none"> 6'd0: Whole number divide value + 1 = 1 6'd3: Whole number divide value + 1 = 4 (default)

ES9020 Product Datasheet

Register 3: CLOCK CONTROL 2

Bits	[7:4]	[3:2]	[1]	[0]
Default	4'd0	2'b11	1'b0	1'b0

Bits	Mnemonic	Description
[7:4]	RESERVED	N/A
[3:2]	MCLK_RATE_SEL	Sets the frequency of MCLK, allowing controls to automatically scale between MCLK rates. <ul style="list-style-type: none"> • 2'b00: 5.6448MHz / 6.144MHz • 2'b01: 11.2896MHz / 12.288MHz • 2'b10: 22.5792MHz / 24.576MHz • 2'b11: 45.1584MHz / 49.152MHz (default)
[1]	DAC_CLK_INV	Inverts the phase of the analog DAC_CLK. <ul style="list-style-type: none"> • 1'b0: Non-inverted (default) • 1'b1: Inverted
[0]	RESERVED	N/A

Register 4: PCM MASTER CLK CONFIG

Bits	[7:0]
Default	8'd7

Bits	Mnemonic	Description
[7:0]	MASTER_BCK_DIV	Master mode DCLK and WS generation clock divider. Whole number divide value + 1 for CLK_BCK_WS_GEN (MCLK/divide_value).



Register 5: MASTER MODE CONFIG

Bits	[7]	[6:5]	[4]	[3]	[2]	[1]	[0]
Default	1'b0	2'b01	1'b0	1'b0	1'b1	1'b0	1'b0

Bits	Mnemonic	Description
[7]	SLAVE_BCK_INVERT	<ul style="list-style-type: none"> 1'b0: Non-inverted (default) 1'b1: Invert BCK input
[6:5]	RESERVED	N/A
[4]	MASTER_WS_PULSE_MODE	When enabled, master WS is a 1 BCK pulse signal instead of a 50% duty cycle signal. <ul style="list-style-type: none"> 1'b0: 50% duty cycle WS signal (default) 1'b1: Pulse WS signal
[3]	MASTER_WS_INVERT	Inverts master WS. <ul style="list-style-type: none"> 1'b0: Non-inverted (default) 1'b1: Inverted
[2]	MASTER_BCK_INVERT	Inverts master BCK. <ul style="list-style-type: none"> 1'b0: Non-inverted 1'b1: Inverted (default)
[1]	DSD_MASTER_MODE_EN	DSD master mode config. <ul style="list-style-type: none"> 1'b0: DSD slave mode (default) 1'b1: DSD master mode. DSD_CLK outputs from DATA_CLK
[0]	PCM_MASTER_MODE_EN	Enables I ² S/TDM master mode and generates master BCK and master WS. <ul style="list-style-type: none"> 1'b0: Disabled 1'b1: Enabled (default)

Register 6: TDM CONFIG 1

Bits	[7]	[6]	[5]	[4:0]
Default	1'b0	1'b0	1'b0	5'd1

Bits	Mnemonic	Description
[7]	TDM_RESYNC	Force TDM encoder & decoder to resync. <ul style="list-style-type: none"> 1'b0: Enable TDM codec synchronization (default) 1'b1: Force TDM codec to desynchronize.
[6]	AUTO_CH_DETECT	<ul style="list-style-type: none"> 1'b0: Disabled (default) 1'b1: Auto detect BCK/FRAME ratio to determine the number of TDM channels Note: Only active in TDM slave mode.
[5]	RESERVED	N/A
[4:0]	TDM_CH_NUM	Sets number of channels in each frame. <ul style="list-style-type: none"> 5'd0: 1 channel 5'd1: 2 channels (default) 5'd31: 32 channels

ES9020 Product Datasheet

Register 7: TDM CONFIG 2

Bits	[7]	[6]	[5:4]	[3:2]	[1]	[0]
Default	1'b1	1'b1	2'b00	2'b00	1'b0	1'b0

Bits	Mnemonic	Description
[7]	ENABLE_WS_MONITOR	Enable WS monitor, used to detect the validity of the WS signal. WS is considered invalid if BCK/WS > 1024. <ul style="list-style-type: none"> 1'b0: Disabled 1'b1: Enabled (default)
[6]	ENABLE_BCK_MONITOR	Enable BCK monitor, used to detect the validity of the BCK signal. BCK is considered invalid if MCLK/BCK > 256. <ul style="list-style-type: none"> 1'b0: Disabled 1'b1: Enabled (default)
[5:4]	TDM_WORD_WIDTH	Sets the width, in bits, of one data word / subframe. A subframe is a frame divided by the number of channels. <ul style="list-style-type: none"> 2'b00: 32-bits (default) 2'b01: 24-bits 2'b10: 16-bits
[3:2]	TDM_BIT_DEPTH	Sets the bit depth, number of data bits, in one data word / subframe. <ul style="list-style-type: none"> 2'b00: 32-bit (default) 2'b01: 24-bit 2'b10: 16-bit
[1]	TDM_VALID_EDGE	Sets which WS edge the frame starts on. <ul style="list-style-type: none"> 1'b0: Frame starts on negedge of WS (default) 1'b1: Frame starts on posedge of WS
[0]	TDM_LJ	Sets left-justified mode. <ul style="list-style-type: none"> 1'b0: One BCK period delay (default) 1'b1: Left-justified

Register 8: CH1 INPUT CONFIG

Bits	[7]	[6]	[5]	[4:0]
Default	1'b1	1'b0	1'b0	5'd0

Bits	Mnemonic	Description
[7]	PDM_SAMPLE_EDGE	Sets the edge of PDM_CLK where the PDM sample increments. <ul style="list-style-type: none"> 1'b0: Rising edge 1'b1: Falling edge (default)
[6]	PDM_PHASE	<ul style="list-style-type: none"> 1'b0: CH1 on the rising edge of PDM clock, CH2 on the falling edge (default) 1'b1: CH2 on the rising edge of PDM clock, CH1 on the falling edge
[5]	DSD_LINE_SEL_CH1	Selects the source for the CH1 DSD data. <ul style="list-style-type: none"> 1'b0: DATA1 (default) 1'b1: DATA2
[4:0]	TDM_SLOT_SEL_CH1	Selects which TDM channel slot is latched into CH1. <ul style="list-style-type: none"> 5'd0: Slot 1 (default) 5'd31: Slot 32

Register 9: CH2 INPUT CONFIG

Bits	[7]	[6]	[5]	[4:0]
Default	1'b0	1'b0	1'b1	5'd1

Bits	Mnemonic	Description
[7]	PDM_2X_GAIN_EN	Sets the overall gain of the PDM datapath. <ul style="list-style-type: none"> 1'b0: 1x gain (default) 1'b1: 2x gain
[6]	RESERVED	N/A
[5]	DSD_LINE_SEL_CH2	Selects the source for the CH2 DSD data. <ul style="list-style-type: none"> 1'b0: DATA1 1'b1: DATA2 (default)
[4:0]	TDM_SLOT_SEL_CH2	Selects which TDM channel slot is latched into CH2. <ul style="list-style-type: none"> 5'd0: Slot 1 5'd1: Slot 2 (default) 5'd31: Slot 32

ES9020 Product Datasheet

Register 10: TDM DAISY CHAIN

Bits	[7]	[6:5]	[4:0]
Default	1'b0	2'd0	5'd0

Bits	Mnemonic	Description
[7]	TDM_DAISY_CHAIN	TDM daisy chain mode. <ul style="list-style-type: none"> 1'b0: Disabled (default) 1'b1: Enabled
[6:5]	RESERVED	
[4:0]	TDM_DATA_LATCH_ADJ	Adjusts the position of the MSB within each TDM slot by TDM_DATA_LATCH_ADJ clock cycles. <ul style="list-style-type: none"> 5'd0: Normal position 5'd1-31: Number of clock cycles to wait

Register 22-11: RESERVED

GPIO Registers
Register 23: GPIO1/2 CONFIG

Bits	[7:4]	[3:0]
Default	4'd0	4'd6

Bits	Mnemonic	Description
[7:4]	GPIO2_CFG	Configure GPIO2 functionality. <ul style="list-style-type: none"> • 4'd0: Analog outputs off – shutdown (default) • 4'd1: Output 0 – output • 4'd2: Output 1 – output • 4'd3: Reserved • 4'd4: PLL locked flag – output • 4'd5: DAC Minimum Volume flag – output • 4'd6: DAC Automute status – output • 4'd7: DAC Soft Ramp Done flag – output • 4'd8: Mute all channels – input • 4'd9: DAC Mode control – input • 4'd10: Reserved • 4'd11: BCK/WS monitor – output • 4'd12: Reserved • 4'd13: Reserved • 4'd14: Reserved • 4'd15: MCLK_128FS – output
[3:0]	GPIO1_CFG	Configure GPIO1 functionality. <ul style="list-style-type: none"> • 4'd0: Analog outputs off – shutdown • 4'd1: Output 0 – output • 4'd2: Output 1 – output • 4'd3: Reserved • 4'd4: PLL locked flag – output • 4'd5: DAC Minimum Volume flag – output • 4'd6: DAC Automute status – output (default) • 4'd7: DAC Soft Ramp Done flag – output • 4'd8: Mute all channels – input • 4'd9: DAC Mode control – input • 4'd10: Reserved • 4'd11: BCK/WS monitor – output • 4'd12: Reserved • 4'd13: Reserved • 4'd14: Reserved • 4'd15: MCLK_128FS – output

ES9020 Product Datasheet

Register 24: GPIO3/4 CONFIG

Bits	[7:4]	[3:0]
Default	4'd0	4'd0

Bits	Mnemonic	Description
[7:4]	GPIO4_CFG	Configure GPIO4 functionality. <ul style="list-style-type: none"> • 4'd0: Analog outputs off – shutdown (default) • 4'd1: Output 0 – output • 4'd2: Output 1 – output • 4'd3: Reserved • 4'd4: PLL locked flag – output • 4'd5: DAC Minimum Volume flag – output • 4'd6: DAC Automute status – output • 4'd7: DAC Soft Ramp Done flag – output • 4'd8: Mute all channels – input • 4'd9: DAC Mode control – input • 4'd10: Reserved • 4'd11: BCK/WS monitor – output • 4'd12: Reserved • 4'd13: Reserved • 4'd14: Reserved • 4'd15: MCLK_128FS – output
[3:0]	GPIO3_CFG	Configure GPIO3 functionality. <ul style="list-style-type: none"> • 4'd0: Analog outputs off – shutdown (default) • 4'd1: Output 0 – output • 4'd2: Output 1 – output • 4'd3: Reserved • 4'd4: PLL locked flag – output • 4'd5: DAC Minimum Volume flag – output • 4'd6: DAC Automute status – output • 4'd7: DAC Soft Ramp Done flag – output • 4'd8: Mute all channels – input • 4'd9: DAC Mode control – input • 4'd10: Reserved • 4'd11: BCK/WS monitor – output • 4'd12: Reserved • 4'd13: Reserved • 4'd14: Reserved • 4'd15: MCLK_128FS – output



Register 25: GPIO INPUT OUTPUT CONTROL

Bits	[7]	[6]	[5]	[4]	[3]	[2]	[1]	[0]
Default	1'b0	1'b0	1'b0	1'b0	1'b0	1'b0	1'b0	1'b1

Bits	Mnemonic	Description
[7]	GPIO4_SDB	<ul style="list-style-type: none"> 1'b0: Disables GPIO4 input (default) 1'b1: Enables GPIO4 input
[6]	GPIO3_SDB	<ul style="list-style-type: none"> 1'b0: Disables GPIO3 input (default) 1'b1: Enables GPIO3 input
[5]	GPIO2_SDB	<ul style="list-style-type: none"> 1'b0: Disables GPIO2 input (default) 1'b1: Enables GPIO2 input
[4]	GPIO1_SDB	<ul style="list-style-type: none"> 1'b0: Disables GPIO1 input (default) 1'b1: Enables GPIO1 input
[3]	GPIO4_OE	<ul style="list-style-type: none"> 1'b0: Tristate GPIO4 (default) 1'b1: GPIO4 Output enabled
[2]	GPIO3_OE	<ul style="list-style-type: none"> 1'b0: Tristate GPIO3 (default) 1'b1: GPIO3 Output enabled
[1]	GPIO2_OE	<ul style="list-style-type: none"> 1'b0: Tristate GPIO2 (default) 1'b1: GPIO2 Output enabled
[0]	GPIO1_OE	<ul style="list-style-type: none"> 1'b0: Tristate GPIO1 (default) 1'b1: GPIO1 Output enabled

ES9020 Product Datasheet

Register 26: GPIO CONTROL

Bits	[7]	[6]	[5]	[4]	[3]	[2]	[1]	[0]
Default	1'b0	1'b0	1'b0	1'b0	1'b0	1'b0	1'b0	1'b0

Bits	Mnemonic	Description
[7]	GPIO4_INV	Invert the GPIO2 input and output. <ul style="list-style-type: none"> 1'b0: Non-inverted (default) 1'b1: Inverted
[6]	GPIO3_INV	Invert the GPIO1 input and output. <ul style="list-style-type: none"> 1'b0: Non-inverted (default) 1'b1: Inverted
[5]	GPIO2_INV	Invert the GPIO2 input and output. <ul style="list-style-type: none"> 1'b0: Non-inverted (default) 1'b1: Inverted
[4]	GPIO1_INV	Invert the GPIO1 input and output. <ul style="list-style-type: none"> 1'b0: Non-inverted (default) 1'b1: Inverted
[3]	GPIO4_WK_EN	<ul style="list-style-type: none"> 1'b0: GPIO4 weak keeper disabled (default) 1'b1: GPIO4 weak keeper enabled
[2]	GPIO3_WK_EN	<ul style="list-style-type: none"> 1'b0: GPIO3 weak keeper disabled (default) 1'b1: GPIO3 weak keeper enabled
[1]	GPIO2_WK_EN	<ul style="list-style-type: none"> 1'b0: GPIO2 weak keeper disabled (default) 1'b1: GPIO2 weak keeper enabled
[0]	GPIO1_WK_EN	<ul style="list-style-type: none"> 1'b0: GPIO1 weak keeper disabled (default) 1'b1: GPIO1 weak keeper enabled

Register 27: GPIO READ CONTROL

Bits	[7:5]	[4]	[3]	[2]	[1]	[0]
Default	3'd0	1'b0	1'b0	1'b0	1'b0	1'b0

Bits	Mnemonic	Description
[7:5]	RESERVED	N/A
[4]	GPIO_DAC_MODE	When any GPIO_CFG is "System mode control": <ul style="list-style-type: none"> 1'b0: Disable datapath when GPIO input is 1'b1 1'b1: Enable datapath when GPIO input is 1'b1 When GPIOx input is 1'b0, system mode is determined by register 0[1] DAC_MODE.
[3]	GPIO4_READ	Enables readback of the GPIO4 input. <ul style="list-style-type: none"> 1'b0: Disabled (default) 1'b1: Enabled
[2]	GPIO3_READ	Enables readback of the GPIO3 input. <ul style="list-style-type: none"> 1'b0: Disabled (default) 1'b1: Enabled
[1]	GPIO2_READ	Enables readback of the GPIO2 input. <ul style="list-style-type: none"> 1'b0: Disabled (default) 1'b1: Enabled
[0]	GPIO1_READ	Enables readback of the GPIO1 input. <ul style="list-style-type: none"> 1'b0: Disabled (default) 1'b1: Enabled

ES9020 Product Datasheet

Register 28: GPIO OUTPUT LOGIC

Bits	[7]	[6]	[5]	[4]	[3]	[2]	[1]	[0]
Default	1'd0	1'b0	1'b0	1'b0	1'b0	1'b1	1'b1	1'b1

Bits	Mnemonic	Description
[7]	RESERVED	N/A
[6]	FLAG_CH_SEL	Outputs a specific channel's flag if the corresponding GPIO_AND and GPIO_OR are not set. <ul style="list-style-type: none"> 1'b0: Outputs status/flag from CH1 1'b1: Outputs status/flag from CH2
[5]	GPIO_OR_SS_RAMP	Sets the GPIO_CFG "Soft Ramp Done" flag output as the bitwise OR of both channel's flags. <ul style="list-style-type: none"> 1'b0: Disabled (default) 1'b1: Enabled, GPIO_CFG output is (ss_full_ramp[CHx])
[4]	GPIO_OR_AUTOMUTE	Sets the GPIO_CFG "Automute Status" output as the bitwise OR of both channel's statuses. <ul style="list-style-type: none"> 1'b0: Disabled (default) 1'b1: Enabled, GPIO_CFG output is (automute[CHx])
[3]	GPIO_OR_VOL_MIN	Sets the GPIO_CFG "Minimum Volume" flag output as the bitwise OR of both channel's flags. <ul style="list-style-type: none"> 1'b0: Disabled (default) 1'b1: Enabled, GPIO_CFG output is (vol_min[CHx])
[2]	GPIO_AND_SS_RAMP	Sets the GPIO_CFG "Soft Ramp Done" flag output as the bitwise AND of both channel's flags. <ul style="list-style-type: none"> 1'b0: Disabled 1'b1: Enabled, GPIO_CFG output is &(ss_full_ramp[CHx]) (default) Note: Overriden by GPIO_OR_SS_RAMP.
[1]	GPIO_AND_AUTOMUTE	Sets the GPIO_CFG "Automute Status" output as the bitwise AND of both channel's statuses. <ul style="list-style-type: none"> 1'b0: Disabled 1'b1: Enabled, GPIO_CFG output is &(automute[CHx]) (default) Note: Overriden by GPIO_OR_AUTOMUTE.
[0]	GPIO_AND_VOL_MIN	Sets the GPIO_CFG "Minimum Volume" flag output as the bitwise AND of both channel's flags. <ul style="list-style-type: none"> 1'b0: Disabled 1'b1: Enabled, GPIO_CFG output is &(vol_min[CHx]) (default) Note: Overriden by GPIO_OR_VOL_MIN.

DAC Registers
Register 29: RESERVED
Register 30: DAC FILTER CONFIG

Bits	[7:6]	[5]	[4:3]	[2:0]
Default	2'd0	1'b0	2'b00	3'd0

Bits	Mnemonic	Description
[7:6]	RESERVED	N/A
[5]	BYPASS_IIR	Bypass the IIR filter. <ul style="list-style-type: none"> 1'b0: Non-bypassed (default) 1'b1: Bypassed
[4:3]	BYPASS_FIR	Bypass the 8X FIR filter. <ul style="list-style-type: none"> 2'b00: Non-bypassed (default) 2'b11: Bypassed Others: Reserved
[2:0]	FILTER_SHAPE	Selects the 8x interpolation FIR filter shape. <ul style="list-style-type: none"> 3'd0: Minimum phase (default) 3'd1: Linear phase fast roll-off apodizing 3'd2: Linear phase fast roll-off 3'd3: Linear phase fast roll-off low ripple 3'd4: Linear phase slow roll-off 3'd5: Minimum phase fast roll-off 3'd6: Minimum phase slow roll-off 3'd7: Minimum phase slow roll-off low dispersion

Register 31: VOLUME CH1

Bits	[7:0]
Default	8'h02

Bits	Mnemonic	Description
[7:0]	VOLUME_CH1	DAC CH1 volume. +1dB to -126dB, 0.5dB steps <ul style="list-style-type: none"> 8'h00: +1dB 8'h02: 0dB (default) 8'hFE: -126dB 8'hFF: Mute

ES9020 Product Datasheet

Register 32: VOLUME CH2

Bits	[7:0]
Default	8'h02

Bits	Mnemonic	Description
[7:0]	VOLUME_CH2	DAC CH2 volume. +1dB to -126dB, 0.5dB steps <ul style="list-style-type: none"> 8'h00: +1dB 8'h02: 0dB (default) 8'hFE: -126dB 8'hFF: Mute

Register 33: MUTE AND VOL PHASE

Bits	[7:4]	[3]	[2]	[1]	[0]
Default	4'd0	1'b0	1'b0	1'b0	1'b0

Bits	Mnemonic	Description
[7:4]	RESERVED	N/A
[3]	MUTE_CH2	Mutes the CH2 datapath. <ul style="list-style-type: none"> 1'b0: Normal CH2 operation (default) 1'b1: Mute CH2
[2]	MUTE_CH1	Mutes the CH1 datapath. <ul style="list-style-type: none"> 1'b0: Normal CH1 operation (default) 1'b1: Mute CH1
[1]	VOL_PHASE_INV_CH2	Inverts the phase of DAC_VOLUME_CH2. <ul style="list-style-type: none"> 1'b0: Non-inverted (default) 1'b1: Inverted
[0]	VOL_PHASE_INV_CH1	Inverts the phase of DAC_VOLUME_CH1. <ul style="list-style-type: none"> 1'b0: Non-inverted (default) 1'b1: Inverted



Register 34: SOFT RAMP CONFIG

Bits	[7]	[6]	[5]	[4:0]
Default	1'b0	1'd0	1'b1	5'd3

Bits	Mnemonic	Description
[7]	MONO_VOLUME	All channel volumes controlled by the CH1 volume control. <ul style="list-style-type: none"> 1'b0: Disabled (default) 1'b1: Enabled
[6]	RESERVED	N/A
[5]	MUTE_RAMP_TO_GROUND	<ul style="list-style-type: none"> 1'b0: When ramped to min volume during normal mute, do not soft ramp to ground 1'b1: When ramped to min volume during normal mute, soft ramp to ground for power saving (default) Normal mute includes: automute, mute by register, mute by GPIO
[4:0]	SOFT_RAMP_TIME	Sets the amount of time that it takes to perform a soft start ramp. This time affects both ramp to ground and ramp to AVCC/2. Valid from 0 to 20 (inclusive). $\text{Time [s]} = \frac{2^{15+\text{SOFT_RAMP_TIME}}}{\text{MCLK} \cdot 2^{\text{MCLK_RATE_SEL}}}$

Register 35: VOLUME UP RAMP RATE

Bits	[7:0]
Default	8'h04

Bits	Mnemonic	Description
[7:0]	VOL_RAMP_RATE_UP	Linear step size from current volume to target volume, represented as a fraction of full-scale. $\text{ramp_step [inc/sample]} = \frac{\text{VOL_RAMP_RATE_UP}}{2^{12}}$ <ul style="list-style-type: none"> 8'h00: Instant change 8'h01: Slowest change 8'h04: Default 8'hFF: Fastest change

ES9020 Product Datasheet

Register 36: VOLUME DOWN RAMP RATE

Bits	[7:0]
Default	8'h04

Bits	Mnemonic	Description
[7:0]	VOL_RAMP_RATE_DOWN	<p>Linear step size from current volume to target volume, represented as a fraction of full-scale.</p> $\text{ramp_step [dec/sample]} = \frac{\text{VOL_RAMP_RATE_DOWN}}{2^{12}}$ <ul style="list-style-type: none"> 8'h00: Instant change 8'h01: Slowest change 8'h04: Default 8'hFF: Fastest change

Register 37: DIGITAL GAIN

Bits	[7]	[6:4]	[3]	[2:0]
Default	1'd0	3'd0	1'd0	3'd0

Bits	Mnemonic	Description
[7]	RESERVED	N/A
[6:4]	DIGITAL_GAIN_CH2	<p>DAC CH2 gain boost. +0dB to +42dB, +6dB steps.</p> <ul style="list-style-type: none"> 3'd0: +0dB (default) 3'd7: +42dB
[3]	RESERVED	N/A
[2:0]	DIGITAL_GAIN_CH1	<p>DAC CH1 gain boost. +0dB to +42dB, +6dB steps.</p> <ul style="list-style-type: none"> 3'd0: +0dB (default) 3'd7: +42dB

Register 38: AUTOMUTE ENABLE

Bits	[7:2]	[1]	[0]
Default	6'd0	1'b1	1'b1

Bits	Mnemonic	Description
[7:2]	RESERVED	
[1]	AUTOMUTE_EN_CH2	<p>Enables CH2 automute.</p> <ul style="list-style-type: none"> 1'b0: Disabled 1'b1: Enabled (default)
[0]	AUTOMUTE_EN_CH1	<p>Enables CH1 automute.</p> <ul style="list-style-type: none"> 1'b0: Disabled 1'b1: Enabled (default)



Register 40-39: AUTOMUTE TIME

Bits	[15]	[14]	[13]	[12:11]	[10:0]
Default	1'b1	1'b0	1'b0	2'd0	11'h0F

Bits	Mnemonic	Description
[15]	DSD_FAULT_DETECT_EN	Sets a channel to a DSD mute pattern (0x96) if the DSD data has no changes in 64 DATA_CLKs. <ul style="list-style-type: none"> 1'b0: Disabled 1'b1: Enabled (default)
[14]	DSD_DC_AM_ENB	Disables the DSD automute condition, if a DC signal is detected. <ul style="list-style-type: none"> 1'b0: Enabled (default) 1'b1: Disabled
[13]	DSD_MUTE_AM_ENB	Disables the DSD automute condition, if a DSD mute pattern is detected. <ul style="list-style-type: none"> 1'b0: Enabled (default) 1'b1: Disabled
[12:11]	RESERVED	N/A
[10:0]	AUTOMUTE_TIME	Configures the amount of time in seconds the audio must remain below AUTOMUTE_LEVEL before an automute condition is flagged. <ul style="list-style-type: none"> 11'h000: Disabled 11'h001: Slowest 11'h00F: Default 11'h7FF: Fastest $\text{Time [s]} = \frac{2^{25}}{\text{AUTOMUTE_TIME} \cdot \text{MCLK_128FS} \cdot 2^{64\text{FS_MODE}}}$

Register 42-41: AUTOMUTE LEVEL

Bits	[15:0]
Default	16'h0008

Bits	Mnemonic	Description
[15:0]	AUTOMUTE_LEVEL	The threshold which the audio must be below before an automute condition is flagged. <ul style="list-style-type: none"> 16'h0001: -138dB 16'h0008: -120dB (default) 16'hFFFF: -42dB $\text{level [dB]} = 20 \cdot \log_{10} \left(\frac{\text{AUTOMUTE_LEVEL}}{(2^{16} - 1) \cdot 2^7} \right)$

ES9020 Product Datasheet

Register 44-43: AUTOMUTE OFF LEVEL

Bits	[15:0]
Default	16'h000A

Bits	Mnemonic	Description
[15:0]	AUTOMUTE_OFF_LEVEL	<p>The threshold which the audio must be above before the automute condition is immediately cleared.</p> <ul style="list-style-type: none"> 16'h0001: -138dB 16'h000A: -118dB (default) 16'hFFFF: -42dB $\text{level [dB]} = 20 \cdot \log_{10} \left(\frac{\text{AUTOMUTE_OFF_LEVEL}}{(2^{16} - 1) \cdot 2^7} \right)$

Register 50-45: RESERVED

Register 51: DBQ COEFF SEL

Bits	[7:5]	[4:0]
Default	3'd0	5'd1

Bits	Mnemonic	Description
[7:5]	RESERVED	N/A
[4:0]	DBQ_COEFF_SEL	<p>Select the filter coefficients used by the DBQ filter.</p> <ul style="list-style-type: none"> 5'd0: Use programmable coeffs 5'd1: Bypass DBQ Filter (default) 5'd2: 48kHz de-emphasis filter 5'd3: 44.1kHz de-emphasis filter 5'd4: 32kHz de-emphasis filter 5'd5: RIAA de-emphasis filter 5'd6: RIAA pre-emphasis filter 5'd7: DC Blocking filter, FS = 48kHz 5'd8: DC Blocking filter, FS = 96kHz 5'd9: DC Blocking filter, FS = 192kHz 5'd10: DC Blocking filter, FS = 384kHz 5'd11: DC Blocking filter, FS = 768kHz 5'd12: DC Blocking filter, FS = 44.1kHz 5'd13: DC Blocking filter, FS = 88.2kHz 5'd14: DC Blocking filter, FS = 176.4kHz 5'd15: DC Blocking filter, FS = 352.8kHz 5'd16: DC Blocking filter, FS = 705.6kHz Others: Reserved

Register 54-52: PROG DBQ A2 COEFF

Bits	[23:0]
Default	24'h000000

Bits	Mnemonic	Description
[23:0]	DBQ_A2	A 24-bit signed value for the programmable DBQ filter a2 coefficient. Note: Assign $-1*a2$ value to the register.

Register 57-55: PROG DBQ A1 COEFF

Bits	[23:0]
Default	24'h000000

Bits	Mnemonic	Description
[23:0]	DBQ_A1	A 24-bit signed value for the programmable DBQ filter a1 coefficient. Note: Assign $-1*a1$ value to the register.

Register 60-58: PROG DBQ B2 COEFF

Bits	[23:0]
Default	24'h000000

Bits	Mnemonic	Description
[23:0]	DBQ_B2	A 24-bit signed value for the programmable DBQ filter b2 coefficient.

Register 63-61: PROG DBQ B1 COEFF

Bits	[23:0]
Default	24'h000000

Bits	Mnemonic	Description
[23:0]	DBQ_B1	A 24-bit signed value for the programmable DBQ filter b1 coefficient.

Register 66-64: PROG DBQ B0 COEFF

Bits	[23:0]
Default	24'h000000

Bits	Mnemonic	Description
[23:0]	DBQ_B0	A 24-bit signed value for the programmable DBQ filter b0 coefficient.

ES9020 Product Datasheet

PLL Registers

Register 67: PLL CLOCK SELECT

Bits	[7]	[6]	[5:4]	[3]	[2:1]	[0]
Default	1'b0	1'b0	2'b10	1'b0	2'b00	1'b1

Bits	Mnemonic	Description
[7]	RESERVED	N/A
[6]	PLL_CLK_PHASE_INV	Digital/analog DAC clock invert phase enable. <ul style="list-style-type: none"> 1'b0: Digital/analog DAC clocks have inverted phase (default) 1'b1: Digital/analog DAC clocks have the same phase
[5:4]	SEL_PLLCLK_IN	Selects PLL input clock source when EN_PLLCLK_IN is set. <ul style="list-style-type: none"> 2'b00: ACLK 2'b10: BCK (default) Others: Reserved
[3]	EN_PLLCLK_IN	Allows SEL_PLLCLK_IN to select PLL input clocks. <ul style="list-style-type: none"> 1'b0: Disables SEL_PLLCLK_IN (default) 1'b1: Enables SEL_PLLCLK_IN
[2:1]	SEL_SYSCLK_IN	Selects digital core clock source when EN_SYSCLK_IN is set. <ul style="list-style-type: none"> 2'b00: ACLK (default) 2'b10: PLL_CLK Others: Reserved
[0]	EN_SYSCLK_IN	Enables clock inputs to the digital core. <ul style="list-style-type: none"> 1'b0: Disabled 1'b1: Enabled (default)



Register 68: PLL VCO & CP

Bits	[7:4]	[3]	[2]	[1]	[0]
Default	4'b0011	1'b0	1'b0	1'b0	1'b0

Bits	Mnemonic	Description
[7:4]	RESERVED	N/A
[3]	PLL_CP_PDB	Enables/disables the PLL charge pump. <ul style="list-style-type: none"> 1'b0: Disabled (default) 1'b1: Enabled
[2]	PLL_VCO_PDB	Enables/disables the PLL voltage-controlled oscillator (VCO). <ul style="list-style-type: none"> 1'b0: Disabled (default) 1'b1: Enabled
[1]	PLL_CLKSMP_PDB	Power Down the PLL circuitry. <ul style="list-style-type: none"> 1'b0: PLL Block disabled (default) 1'b1: PLL Block enabled
[0]	PLL_DIG_PDB	Power Down the Digital core of the PLL. <ul style="list-style-type: none"> 1'b0: PLL digital core is off (default) 1'b1: PLL digital core is on

Register 69: PLL REGULATOR

Bits	[7:4]	[3]	[2:0]
Default	4'd0	1'b0	3'b010

Bits	Mnemonic	Description
[7:4]	RESERVED	N/A
[3]	PLL_REG_PDB	Power down the PLL regulator. <ul style="list-style-type: none"> 1'b0: Disable the PLL regulator (default) 1'b1: Enable the PLL regulator
[2:0]	RESERVED	N/A

Register 72-70: PLL FEEDBACK DIV

Bits	[23:0]
Default	24'h100000

Bits	Mnemonic	Description
[23:0]	PLL_CLK_FB_DIV	Sets the PLL clock feedback divider (Nfb). <ul style="list-style-type: none"> 24'h000000: Reserved 24'h100000: Default 24'hn: Divide by $2^{25/n}$

ES9020 Product Datasheet

Register 75-73: PLL IN & OUT DIV

Bits	[23:16]	[15:12]	[11:10]	[9]	[8:0]
Default	8'b00010000	4'd3	2'd0	1'b1	9'd0

Bits	Mnemonic	Description
[23:16]	RESERVED	N/A
[15:12]	PLL_CLK_OUT_DIV	Sets the PLL clock output divider (No). <ul style="list-style-type: none"> • 4'd0: Reserved • 4'd3: Divide by 4. (default) • 4'dn: Divide by (n + 1).
[11:10]	RESERVED	N/A
[9]	PLL_FB_DIV_LOAD	Needs to be toggled whenever CLK_FB_DIV changes. Write 1'b1 then write 1'b0 to load CLK_FB_DIV.
[8:0]	PLL_CLK_IN_DIV	Sets the PLL clock input divider (Ni). <ul style="list-style-type: none"> • 9'd0: Reserved (default) • 9'dn: Divide by (n + 1).

Register 81-76: RESERVED



Readback Registers

Register 224: INPUT FORMAT READ

Bits	[7:5]	[4]	[3]	[2:1]	[0]
Default					

Bits	Mnemonic	Description
[7:5]	RESERVED	N/A
[4]	DOP_VALID	DoP Valid flags, per channel pair.
[3]	DAC_TDM_VALID	TDM decoder valid flag.
[2:1]	INPUT_SEL_OVERRIDE	Readback of the current input data format. <ul style="list-style-type: none"> 2'd0: PCM (default) 2'd1: DSD 2'd2: DoP 2'd3: Reserved
[0]	PLL_LOCKED	PLL locked flag.

Register 225: CHIP ID

Bits	[7:0]
Default	

Bits	Mnemonic	Description
[7:0]	CHIP_ID	Chip ID. <ul style="list-style-type: none"> 8'h6D: ES9020

ES9020 Product Datasheet

Register 228-226: RESERVED

Register 229: AUTO FS READ

Bits	[7]	[6]	[5:0]
Default			

Bits	Mnemonic	Description
[7]	EN_64FS_MODE_AUTO	Result {Z} of the automatic sample rate detect (reg0[3] AUTO_FS_DETECT) logic, running the device in 64FS mode. <ul style="list-style-type: none"> 1'b0: 64FS disabled 1'b1: 64FS enabled
[6]	MCLK_128FS_HALF_DIV_AUTO	Result {Y} of the automatic sample rate detect (reg0[3] AUTO_FS_DETECT) logic. <ul style="list-style-type: none"> 1'b0: MCLK_128FS is an integer multiple of MCLK, Y = 1. 1'b1: MCLK_128FS is a (X+1)*0.5 multiple of MCLK, Y = 2.
[5:0]	MCLK_128FS_DIV_AUTO	Result {X} of the automatic sample rate detect (reg0[3] AUTO_FS_DETECT) logic. $FS[Hz] = \frac{Y \cdot MCLK}{(X + 1) \cdot \left(\frac{128^Z}{2}\right)}$

Register 230: PCM VALIDITY

Bits	[7]	[6]	[5]	[4:0]
Default				

Bits	Mnemonic	Description
[7]	RATIO_VALID	Validity of the MCLK/MCLK_128FS ratio. ((N + 1)/M)*128 MCLK periods in a WS frame. <ul style="list-style-type: none"> 1'b0: Invalid ratio 1'b1: Valid ratio
[6]	BCK_INVALID	Validity of the BCK signal, requires BCK_MONITOR to be enabled.
[5]	WS_INVALID	Validity of the WS signal, requires WS_MONITOR to be enabled.
[4:0]	AUTO_CH_NUM	Automatic TDM channel number tuning result.



Register 231: GPIO READBACK

Bits	[7:4]	[3]	[2]	[1]	[0]
Default					

Bits	Mnemonic	Description
[7:4]	RESERVED	N/A
[3]	GPIO4_R	GPIO4 input readback.
[2]	GPIO3_R	GPIO3 input readback.
[1]	GPIO2_R	GPIO2 input readback.
[0]	GPIO1_R	GPIO1 input readback.

Register 232: DAC READBACK

Bits	[7]	[6]	[5]	[4]	[3]	[2]	[1]	[0]
Default								

Bits	Mnemonic	Description
[7]	SS_RAMP_DOWN_CH2	CH2 soft ramped down flag.
[6]	SS_RAMP_DOWN_CH1	CH1 soft ramped down flag.
[5]	SS_RAMP_UP_CH2	CH2 soft ramped up flag.
[4]	SS_RAMP_UP_CH1	CH1 soft ramped up flag.
[3]	AUTOMUTE_CH2	CH2 automute status flag.
[2]	AUTOMUTE_CH1	CH1 automute status flag.
[1]	VOL_MIN_CH2	CH2 minimum volume flag.
[0]	VOL_MIN_CH1	CH1 minimum volume flag.

ES9020 Product Datasheet

ES9020 Reference Schematic

Hardware (HW) Mode

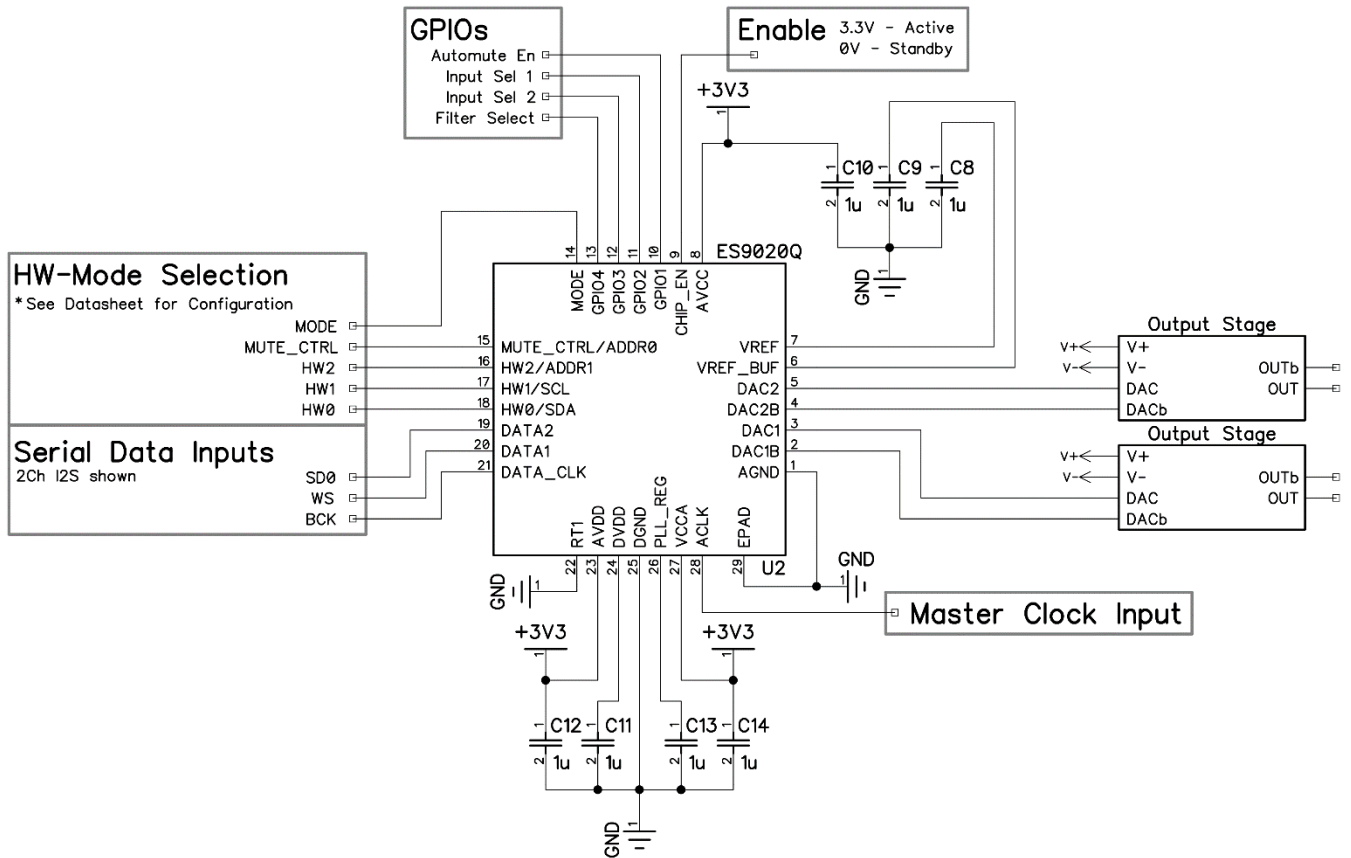


Figure 25 - ES9020 HW Mode Reference Schematic

Note: The ES9020 28QFN package has an exposed pad (Pin 29) that should be connected to ground.

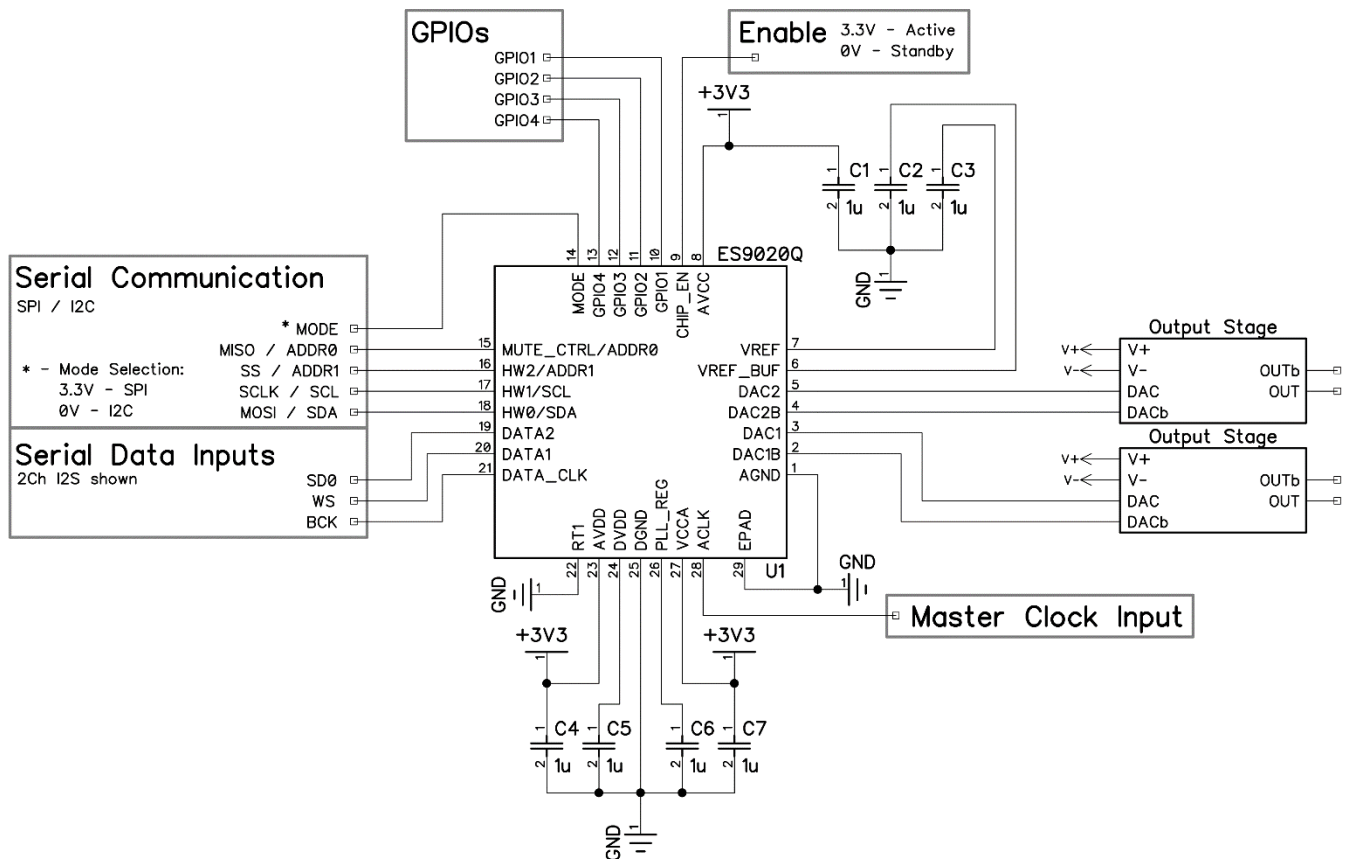
Software (SW) Mode


Figure 26 - ES9020 SW Mode Reference Schematic

Note: The ES9020 28QFN package has an exposed pad (Pin 29) that should be connected to ground.

ES9020 Product Datasheet

Reference Output Stage

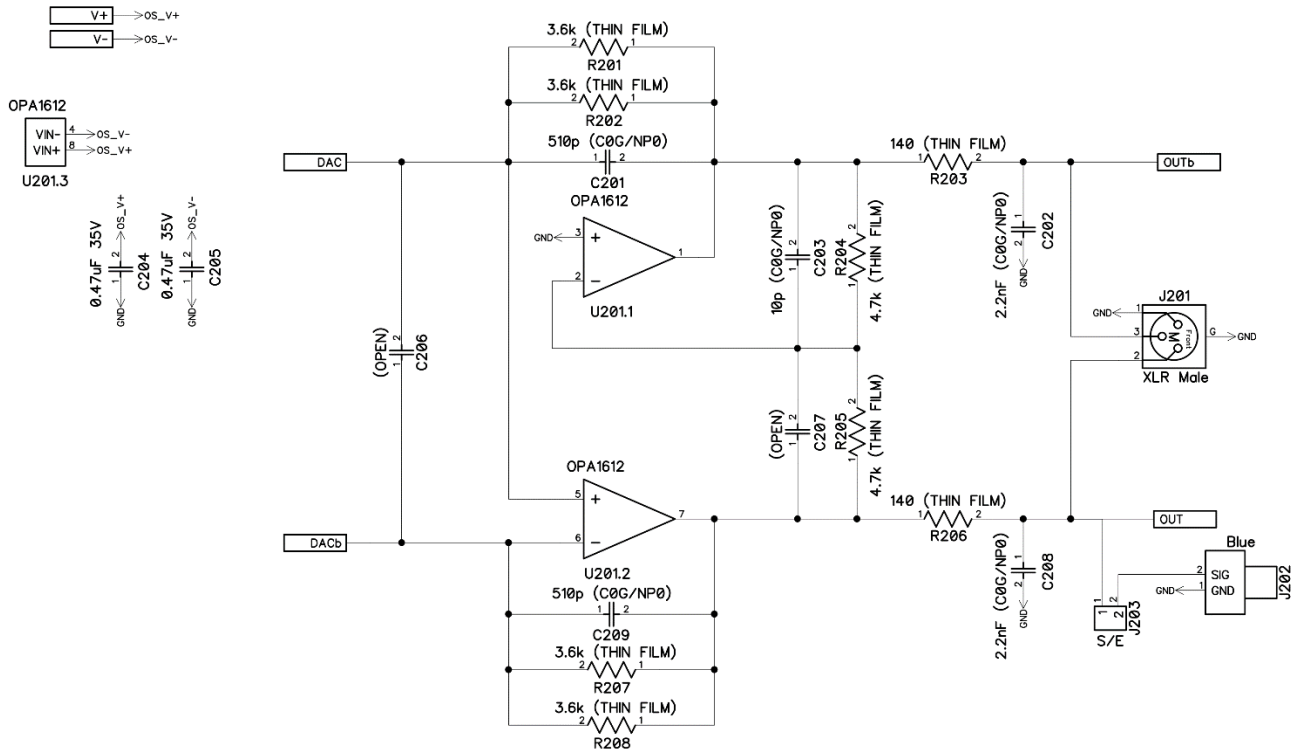


Figure 27 - ES9020 Output Stage Reference Schematic

Internal Pad Circuitry

Pin Name	Pin	Type	Equivalent Circuit
AVCC AVDD VCCA	8 23 27	Power	<p>Power Pad</p>
AGND DGND	1 25	Ground	<p>Ground Pad</p>
CHIP_EN	9	Reset	<p>Digital I</p>
GPIO1 GPIO2 GPIO3 GPIO4 MODE MISO/ADDR0/MUTE_MCLK_CTRL SS/ADDR1/HW2 SCLK/SCL/HW1 MOSI/SDA/HW0 DATA2 DATA1 DATA_CLK RT1	10 11 12 13 14 15 16 17 18 19 20 21 22	Digital I/O	<p>Digital I/O</p>

ES9020 Product Datasheet

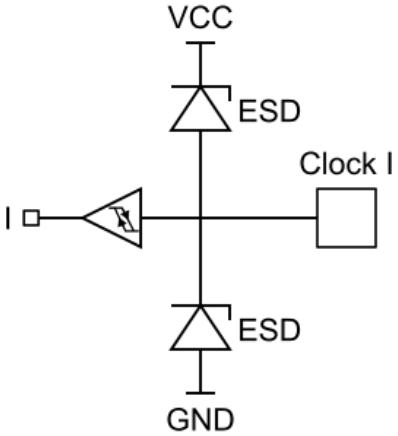
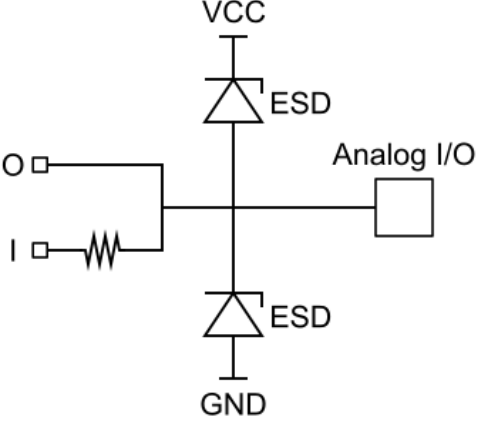
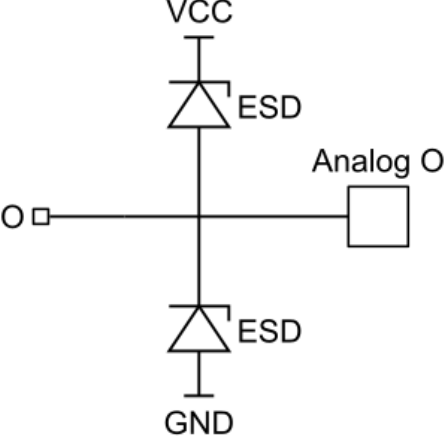
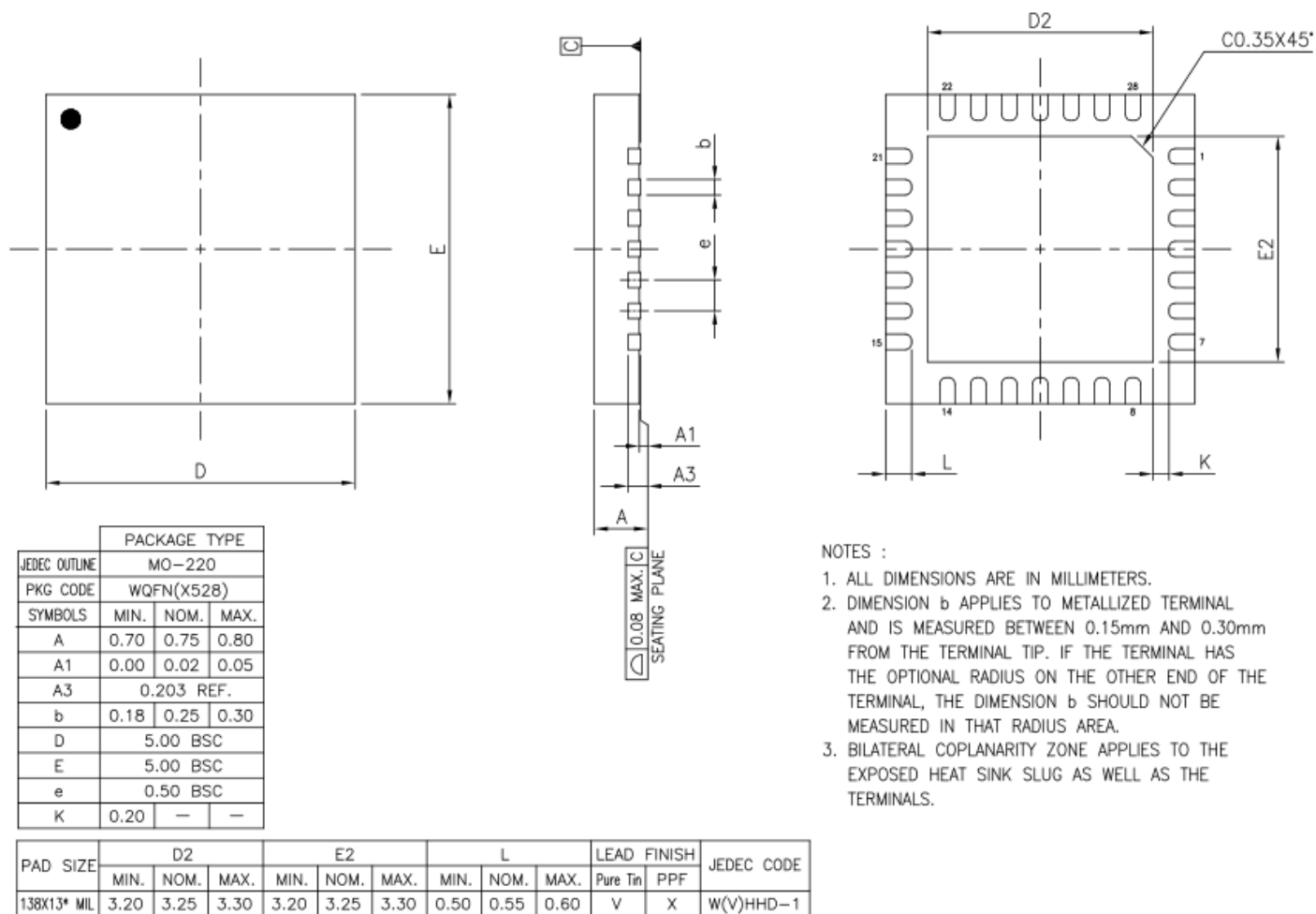
<p>ACLK</p>	<p>28</p>	<p>Clock I</p>	
<p>DAC1B DAC1 DAC2B DAC2</p>	<p>2 3 4 5</p>	<p>Analog I/O</p>	
<p>VREF_BUF VREF DVDD PLL_REG</p>	<p>6 7 24 26</p>	<p>Analog O</p>	

Table 36 - Internal Pad Circuitry



28 QFN Package Dimensions



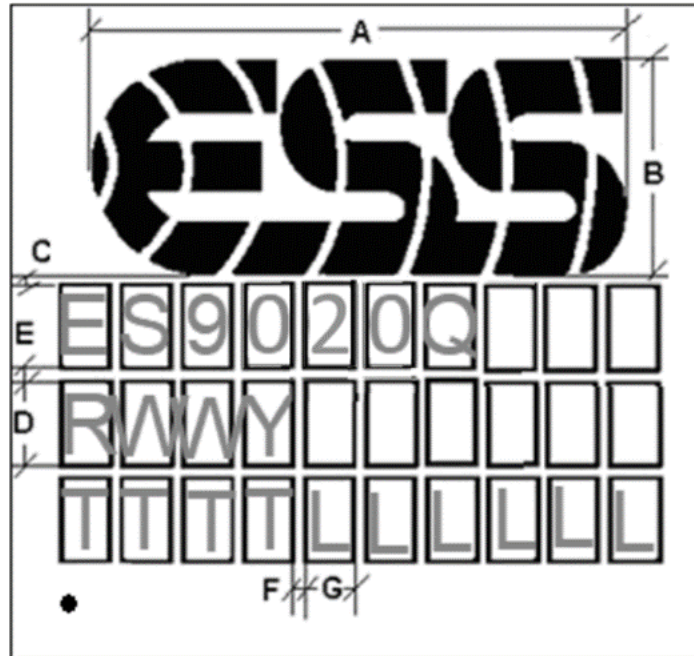
NOTES :

1. ALL DIMENSIONS ARE IN MILLIMETERS.
2. DIMENSION b APPLIES TO METALLIZED TERMINAL AND IS MEASURED BETWEEN 0.15mm AND 0.30mm FROM THE TERMINAL TIP. IF THE TERMINAL HAS THE OPTIONAL RADIUS ON THE OTHER END OF THE TERMINAL, THE DIMENSION b SHOULD NOT BE MEASURED IN THAT RADIUS AREA.
3. BILATERAL COPLANARITY ZONE APPLIES TO THE EXPOSED HEAT SINK SLUG AS WELL AS THE TERMINALS.

Figure 28 - ES9020 QFN Package Dimensions

ES9020 Product Datasheet

28 QFN Top View Marking



Package Type	Dimension in mm						
	A	B	C	D	E	F	G
QFN 5mm x 5mm	4.0	1.6	0.2	0.4	0.2	0.1	0.3

T	Tracking number
W	Work week
Y	Last digit of year
L	Lot number
R	Silicon Revision

Marking is subject to change. This drawing is not to scale.

Figure 29 - ES9020 28 QFN Top View Markings

Reflow Process Considerations

Temperature Controlled

For lead-free soldering, the characterization and optimization of the reflow process is the most important factor to consider.

The lead-free alloy solder has a melting point of 217°C. This alloy requires a minimum reflow temperature of 235°C to ensure good wetting. The maximum reflow temperature is in the 245°C to 260°C range, depending on the package size (RPC-2-Pb-Free Process - Classification Temperatures (T_c)). This narrows the process window for lead-free soldering to 10°C to 20°C.

The increase in peak reflow temperature in combination with the narrow process window makes the development of an optimal reflow profile a critical factor for ensuring a successful lead-free assembly process. The major factors contributing to the development of an optimal thermal profile are the size and weight of the assembly, the density of the components, the mix of large and small components, and the paste chemistry being used.

Reflow profiling needs to be performed by attaching calibrated thermocouples well adhered to the device as well as other critical locations on the board to ensure that all components are heated to temperatures above the minimum reflow temperatures and that smaller components do not exceed the maximum temperature limits (Table RPC-2).

To ensure that all packages can be successfully and reliably assembled, the reflow profiles studied and recommended by ESS are based on the JEDEC/IPC standard J-STD-020 revision D.1.

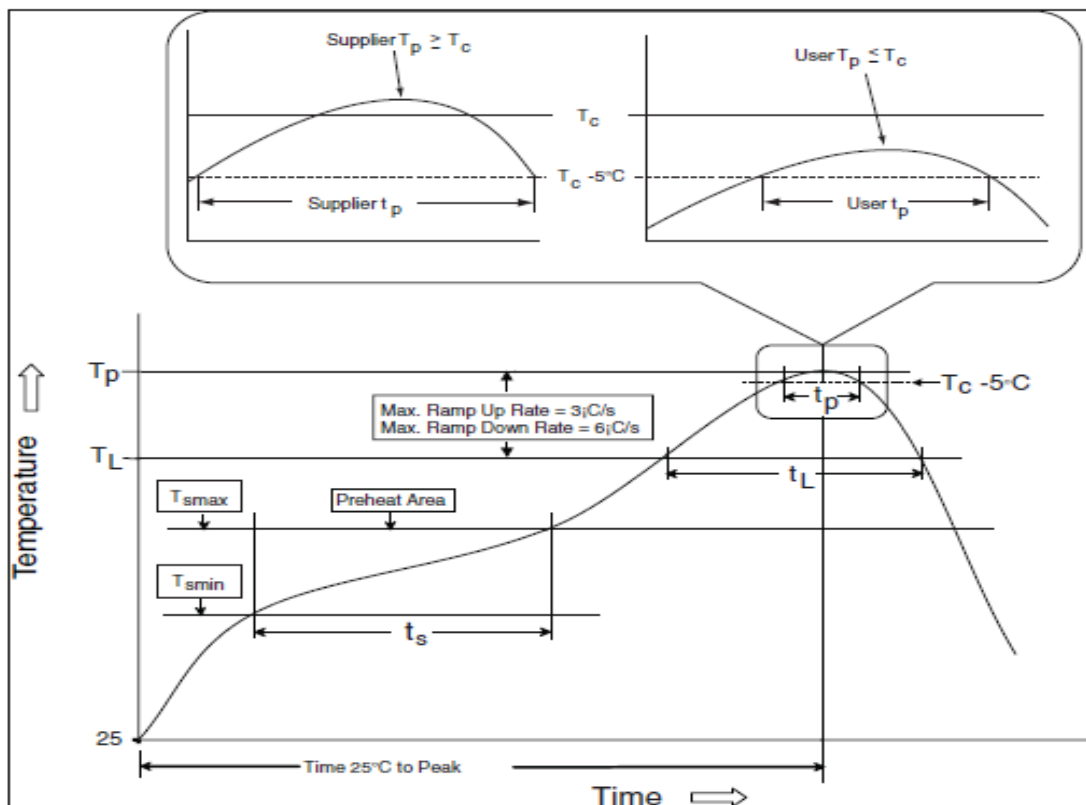


Figure 30 - IR/Convection Reflow Profile (IPC/JEDEC J-STD-020D.1)

ES9020 Product Datasheet

Reflow is allowed 3 times. Caution must be taken to ensure time between re-flow runs does not exceed the allowed time by the moisture sensitivity label. If the time elapsed between the re-flows exceeds the moisture sensitivity time, bake the board according to the moisture sensitivity label instructions.

Manual

Allowed up to 2 times with maximum temperature of 350°C no longer than 3 seconds.

RPC-1 Classification Reflow Profile

Profile Feature	Pb-Free Assembly
Preheat/Soak	
Temperature Min (T _{smin})	150°C
Temperature Max (T _{smax})	200°C
Time (ts) from (T _{smin} to T _{smax})	60-120 seconds
Ramp-up rate (TL to T _p)	3°C / second maximum
Liquidous temperature (TL)	217°C
Time (tL) maintained above TL	60-150 seconds
Peak package body temperature (T _p)	For users T _p must not exceed the classification temp in Table RPC-2. For suppliers T _p must equal or exceed the Classification temp in Table RPC-2.
Time (t _p)* within 5°C of the specified classification temperature (T _c)	30* seconds
Ramp-down rate (T _p to TL)	6°C / second maximum
Time 25°C to peak temperature	8 minutes maximum
* Tolerance for peak profile temperature (T _p) is defined as a supplier minimum and a user maximum.	

Table 37 - RPC-1 Classification Reflow Profile

All temperatures refer to the center of the package, measured on the package body surface that is facing up during assembly reflow (e.g., live-bug). If parts are reflowed in other than the normal live-bug assembly reflow orientation (i.e., dead-bug), T_p shall be within $\pm 2^\circ\text{C}$ of the live-bug T_p and still meet the T_c requirements, otherwise, the profile shall be adjusted to achieve the latter. To accurately measure actual peak package body temperatures, refer to JEP140 for recommended thermocouple use.

Reflow profiles in this document are for classification/preconditioning and are not meant to specify board assembly profiles. Actual board assembly profiles should be developed based on specific process needs and board designs and should not exceed the parameters in Table RPC-1.

For example, if T_c is 260°C and time t_p is 30 seconds, this means the following for the supplier and the user.

For a supplier: The peak temperature must be at least 260°C. The time above 255°C must be at least 30 seconds.

For a user: The peak temperature must not exceed 260°C. The time above 255°C must not exceed 30 seconds.

All components in the test load shall meet the classification profile requirements.



RPC-2 Pb-Free Process - Classification Temperatures (Tc)

Package Thickness	Volume mm ³ , <350	Volume mm ³ , 350 to 2000	Volume mm ³ , >2000
<1.6 mm	260°C	260°C	260°C
1.6 mm – 2.5 mm	260°C	250°C	245°C
>2.5 mm	250°C	245°C	245°C

Table 38 - RPC-2 Pb Free Classification Temperatures

At the discretion of the device manufacturer, but not the board assembler/user, the maximum peak package body temperature (Tp) can exceed the values specified in Table RPC-2. The use of a higher Tp does not change the classification temperature (Tc).

Package volume excludes external terminals (e.g., balls, bumps, lands, leads) and/or nonintegral heat sinks.

The maximum component temperature reached during reflow depends on package thickness and volume. The use of convection reflow processes reduces the thermal gradients between packages. However, thermal gradients due to differences in thermal mass of SMD packages may still exist.

ES9020 Product Datasheet

Ordering Information

Part Number	Description	Package
ES9020Q	SABRE 32-bit high performance 2 Channel DAC	5mm x 5mm 28 QFN

Table 39 - Ordering Information

Revision History

Current Version 0.1

Rev.	Date	Notes
0.1	August, 2024	Initial release

© 2024 ESS Technology, Inc.

ESS ICs are not intended, authorized, or warranted for use as components in military applications, medical devices or life support systems. ESS assumes no liability and disclaims any expressed, implied or statutory warranty for use of ESS ICs in such unsuitable applications.

No part of this publication may be reproduced, stored in a retrieval system, transmitted, or translated in any form or by any means, electronic, mechanical, manual, optical, or otherwise, without the prior written permission of ESS Technology, Inc. ESS Technology, Inc. makes no representations or warranties regarding the content of this document. All specifications are subject to change without prior notice. ESS Technology, Inc. assumes no responsibility for any errors contained herein. U.S. patents pending.

X-ON Electronics

Largest Supplier of Electrical and Electronic Components

Click to view similar products for [Audio D/A Converter ICs](#) category:

Click to view products by [ESS Tech](#) manufacturer:

Other Similar products are found below :

[106100](#) [AD1955ARSZRL](#) [AK4191EQ](#) [AK4332ECB](#) [AK4333ECB](#) [AK4432VT](#) [AK4452VN](#) [AK4458VN](#) [AK4493SEQ](#) [AK4499EXEQ](#)
[BD34301EKV-E2](#) [BD34302EKV-E2](#) [CS43131-CNZ](#) [CS43198-CNZ](#) [CS43198-CNZR](#) [CS4334-KSZ](#) [CS4335-KSZ](#) [CS4338-KSZ](#) [CS4344-](#)
[DZZ](#) [CS4344-DZZR](#) [CS4345-CZZ](#) [CS4345-DZZ](#) [CS4350-CZZR](#) [CS4350-DZZ](#) [CS4353-CNZR](#) [CS4354-CSZ](#) [CS4354-CSZR](#) [CS4361-CZZ](#)
[CS4361-CZZR](#) [CS4362A-CQZ](#) [CS4382A-CQZR](#) [CS4384-CQZ](#) [CS4385-CQZR](#) [CS4398-CZZ](#) [CS4398K-CZZ](#) [CS43L22-CNZR](#)
[DSD1791DB](#) [DSD1793DB](#) [DSD1794ADB](#) [ES9010K2M](#) [ES9016K2M](#) [ES9016S](#) [ES9017S](#) [ES9018K2M](#) [ES9018S](#) [ES9020Q](#) [ES9023P](#)
[ES9026PRO](#) [ES9027SPRO](#) [ES9028PRO](#)