



SABRE PRO

Analog Reinvented

# ES9039MPRO & ES9039PRO 32-bit High-Performance 8-Channel DAC Product Datasheet

The ESS Sabre® ES9039MPRO & ES9039PRO are the fully redesigned flagship 32-bit 8 Channel digital-to-analog converters (DAC) that target high end consumer devices, professional audio applications such as recording systems, mixer consoles and digital audio workstations (DAW), test equipment, instruments, audio processors applications. It was designed to create the new generation of the world's highest performing audio DAC.

The ES9039PRO has 8 integrated DACs which use ESS' patented Hyperstream® IV DAC Architecture. Using the QUAD modulator architecture, it delivers unprecedented audio sound quality and specifications, including a world class +132dB DNR per channel, +140dB DNR and a THD+N of -122dB in mono mode.

The ES9039PRO SABRE® DAC improves on previous designs to include:

- MQA Hardware renderer (ES9039MPRO) to reveal the original master resolution
- TDM & SPI support for more options in connectivity
- Lower power consumption than previous generations, including the Hyperstream IV DAC modulator
- New Hardware mode for simplified programming.

TDM, DSD, DoP, and I2S, LJ, RJ master/slave interfaces as well as synchronous S/PDIF are supported.

The ES9039PRO has 7 built-in pre-programmed and programmable digital filters which allows the most discerning user to tune the SABRE sound to their own personal sound signature.

The ES9039MPRO includes a built-in stereo hardware MQA renderer that helps recreate the natural sound of the recording.

FEATURE	DESCRIPTION
Patented 32-bit HyperStream® IV Architecture DAC Technology	32-bit audio DAC with ultra high dynamic range & ultra-low distortion
+140dB DNR mono mode +132db DNR per channel -122dB THD+N mono	Unprecedented dynamic range and ultra-low distortion
MQA Renderer (ES9039MPRO only)	Stereo MQA Renderer Built-In Easily paired with software MQA core decoder Eliminates the need for complicated DAC filter tuning
High Sample Rates	Up to PCM 768kHz & native DSD1024
Customizable filter characteristics	7 presets of digital optimal filters, with custom filter programmability for each channel to allow for a unique sound signature
Multiple Input formats are available	I2S, LJ, RJ, TDM, DSD, DoP and S/PDIF
I2C, SPI, and Hardware interface control	Configured by microcontroller or other I2C/SPI source, or pins through Hardware Mode
Lower Power Consumption than Previous Gen	Simplifies power supply design
Standardized Packaging	10mm x 10mm, 64 pin eTQFP for reduced PCB board space

## APPLICATIONS

- Professional digital audio workstations (DAW) Audio Playback
- A/V Receivers
- Personal Audio Devices & Media Streamers
- High End Audiophile Equipment
- Any equipment that requires the very best audio digital to analog conversion



## Table of Contents

Table of Contents .....	2
List of Figures .....	4
List of Tables .....	4
Functional Block Diagram.....	5
ES9039MSPRO/ES9039SPRO Pinout.....	6
64 QFP Pin Descriptions .....	7
Feature List.....	9
Configuration Modes.....	9
Software Mode .....	9
I <sup>2</sup> C .....	9
SPI .....	9
Hardware Mode.....	10
Design Information.....	10
Muting .....	10
Hardware Mode Pin Configurations .....	11
Recommended Hardware Mode Setup Sequence .....	13
Hardware Mode Input Datatypes Compatibility.....	14
Hardware Mode Features .....	14
Digital Features.....	15
Digital Signal Path .....	15
Note: Channel Mapping is only available with the TDM/I2S & DoP interface .....	15
GPIO Configuration .....	15
Audio Input Formats .....	16
Time-division multiplexing (TDM).....	16
I2S (subset of TDM interface) .....	16
DSD .....	17
Pre-Programmed Digital Filters .....	17
PCM Filter Latency .....	18
PCM Filter Properties (44.1kHz Sampling) .....	19
PCM Filter Frequency Response .....	20
PCM Filter Impulse Response .....	24
Absolute Maximum Ratings .....	29
IO Electrical Characteristics.....	29
Recommended Operating Conditions.....	30
Power Consumption .....	31
Performance.....	33
Register Overview .....	34
I <sup>2</sup> C Slave Interface (Device Address 0x90, 0x92, 0x94, 0x96).....	34

## ES9039MPRO &amp; ES9039PRO Datasheet



Read/Write Register Addresses.....	34
Read-only Register Addresses .....	34
Multi-Byte Registers .....	34
I <sup>2</sup> C Slave/Synchronous Slave Interface Timing.....	35
SPI Slave Interface.....	36
Register Map .....	37
Register Listings .....	40
System Registers .....	40
GPIO Registers .....	53
DAC Registers.....	63
Readback Registers .....	81
ES9039MPRO/ES9039PRO Reference Schematic .....	86
Hardware (HW) mode .....	86
Software Mode .....	87
Output Stage (for Reference) .....	88
64 eTQFP Package Dimensions .....	89
64 QFP Top View Marking.....	90
Reflow Process Considerations .....	91
Temperature Controlled .....	91
Manual.....	91
RPC-1 Classification reflow profile .....	92
RPC-2 Pb-Free Process – Classification Temperatures (Tc).....	93
Ordering Information.....	94
Revision History.....	94



## List of Figures

Figure 1 - ES9039MPRO & ES9039PRO Block Diagram .....	5
Figure 2 – Hardware mode pin configurations .....	10
Figure 3 – Hardware mode startup sequence .....	13
Figure 4 – Example of using 8 channels of TDM showing both a 50/50 word select mode and a pulse word select mode .....	16
Figure 5 – I2S & LJ Output Format .....	16
Figure 6 – DSD format .....	17
Figure 7 – I2C Slave Control Interface Timing .....	35
Figure 8 – I2C single byte R/W .....	35
Figure 9 – SPI single byte write .....	36
Figure 10 – SPI single byte Read .....	36
Figure 11 – SPI multi-byte read .....	36
Figure 12 – HW mode reference schematic .....	86
Figure 13 – Software mode reference schematic .....	87
Figure 14 – Software mode reference schematic .....	88
Figure 15 – ES9039SPRO/ES9039MSPRO 64 eTQFP package dimensions .....	89
Figure 16 – ES9039SPRO Marking .....	90
Figure 17 – ES9039MSPRO Marking .....	90
Figure 18 – IR/Convection Reflow Profile (IPC/JEDEC J-STD-020D.1) .....	91

## List of Tables

Table 1 – I2C address configurations .....	9
Table 2 – Standard GPIO Functions .....	15
Table 3 – Absolute Maximum Ratings .....	29
Table 4 – IO electrical characteristics .....	29
Table 5 – Recommended operating conditions .....	30
Table 6 – Power consumption with test conditions 1 .....	31
Table 7 – Power consumption with test conditions 2 .....	32
Table 8 – Performance data .....	33
Table 9 – I2C slave/synchronous slave interface timing definitions .....	35
Table 10 – RPC-1 Classification reflow profile .....	92
Table 11 – RPC-2 Pb free classification temperatures .....	93

## Functional Block Diagram

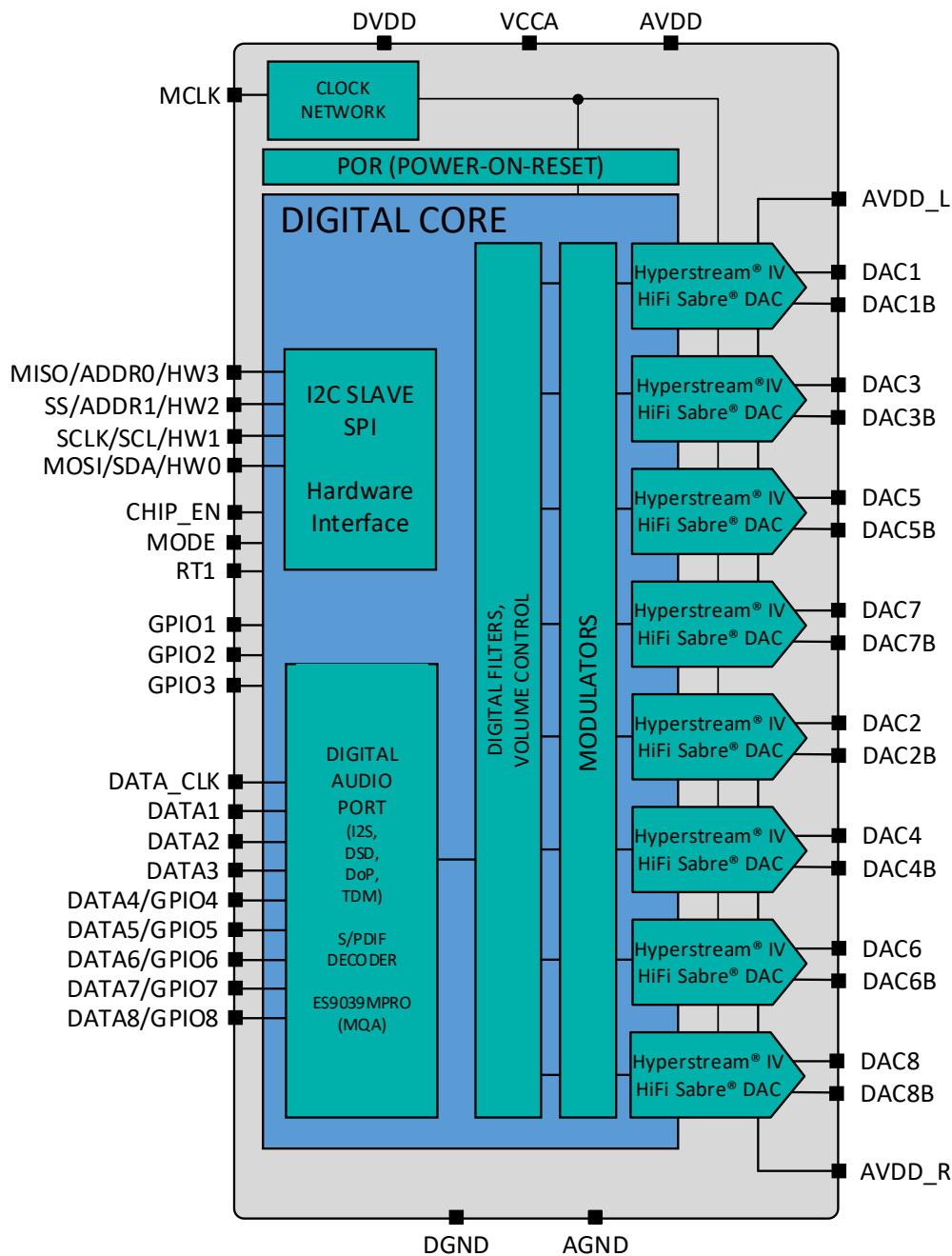


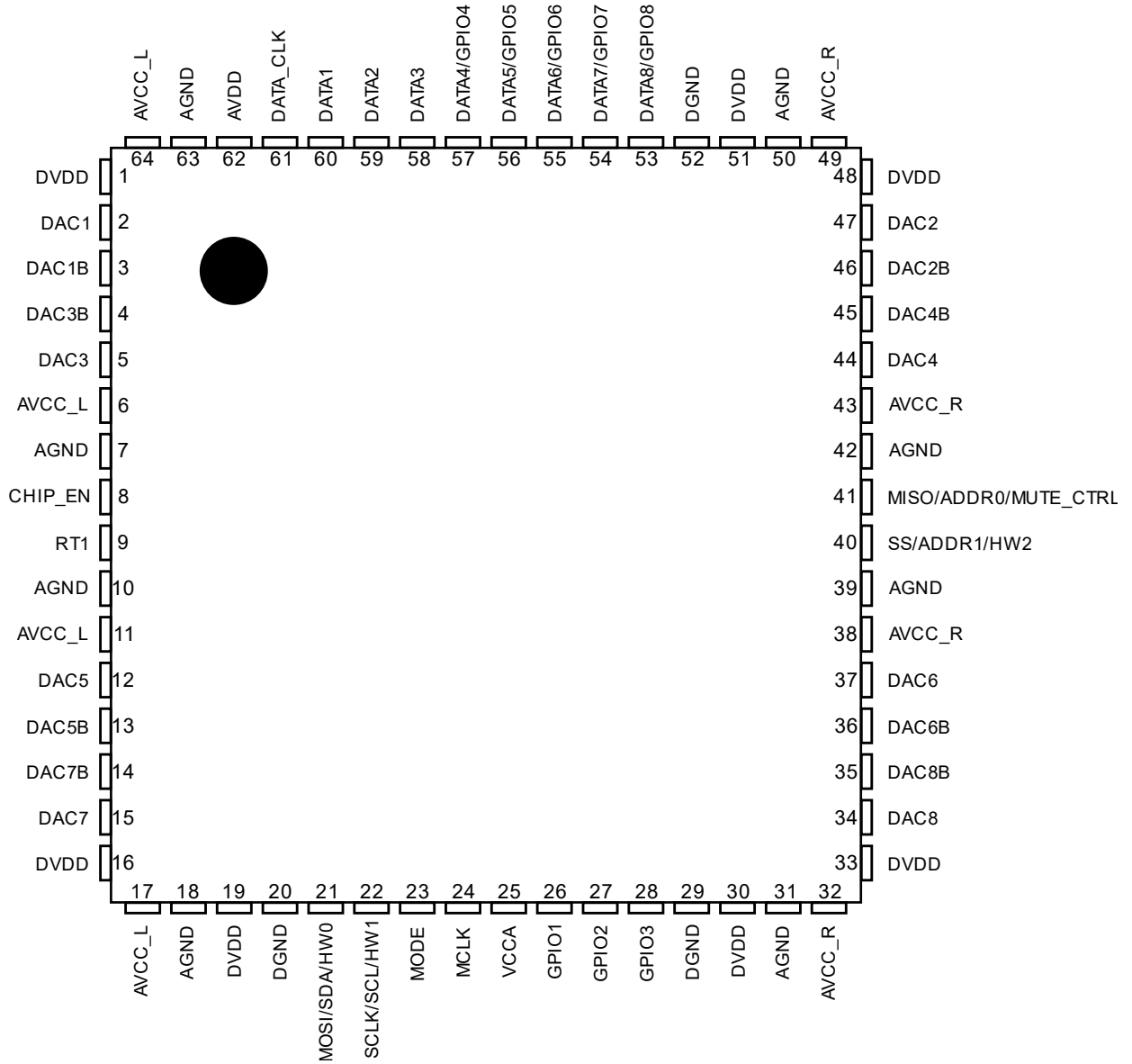
Figure 1 - ES9039MPRO & ES9039PRO Block Diagram



# ES9039MPRO & ES9039PRO Product Brief

## ES9039MSPRO/ES9039SPRO Pinout

### 64 QFP Pinout



ES9039MPRO & ES9039PRO  
(Top View)

Note: Pin 65 is a package pad, used for AGND, and should be connected to Analog Ground



## 64 QFP Pin Descriptions

Pin	Name	Pin Type	Reset State	Pin Description
1	DVDD	Power	Power	Digital Core Supply, 1.2V
2	DAC1	AO	Ground	Differential Positive Output for Channel 1
3	DAC1B	AO	Ground	Differential Negative Output for Channel 1
4	DAC3B	AO	Ground	Differential Negative Output for Channel 3
5	DAC3	AO	Ground	Differential Positive Output for Channel 3
6	AVCC_L	Power	Power	3.3V DAC analog output stage reference supply for the Left side
7	AGND	Ground	Ground	DAC analog output stage ground
8	CHIP_EN	I	HiZ	Active-high Chip Enable
9	RT1	I	HiZ	Reserved. Must be connected to DGND for normal operation.
10	AGND	Ground	Ground	DAC analog output stage ground
11	AVCC_L	Power	Power	3.3V DAC analog output stage reference supply for the Left side
12	DAC5	AO	Ground	Differential Positive Output for Channel 5
13	DAC5B	AO	Ground	Differential Negative Output for Channel 5
14	DAC7B	AO	Ground	Differential Negative Output for Channel 7
15	DAC7	AO	Ground	Differential Positive Output for Channel 7
16	DVDD	Power	Power	Digital Core Supply, 1.2V
17	AVCC_L	Power	Power	3.3V DAC analog output stage reference supply for the Left side
18	AGND	Ground	Ground	DAC analog output stage ground
19	DVDD	Power	Power	Digital Core Supply, 1.2V
20	DGND	Ground	Ground	Digital Ground
21	MOSI/SDA/HW0	I	HiZ	Serial communication for SPI/I2C & HW0 interface pin, controlled by MODE
22	SCLK/SCL/HW1	I	HiZ	Serial Clock for SCLK (SPI), SCL (I2C), also HW1 controlled by MODE pin
23	MODE	I	HiZ	I2C/SPI Control selection or HW mode
24	MCLK	I	HiZ	Oscillator input
25	VCCA	Power	Power	Analog Supply, 3.3V
26	GPIO1	I/O	HiZ	General I/O w/extended functions
27	GPIO2	I/O	HiZ	General I/O w/extended functions
28	GPIO3	I/O	HiZ	General I/O w/extended functions
29	DGND	Ground	Ground	Digital Ground
30	DVDD	Power	Power	Digital Supply, 1.2V
31	AGND	Ground	Ground	DAC analog output stage ground
32	AVCC_R	Power	Power	3.3V DAC analog output stage reference supply for the Right side
33	DVDD	Power	Power	Digital Supply, 1.2V
34	DAC8	AO	Ground	Differential Positive Output for Channel 8
35	DAC8B	AO	Ground	Differential Negative Output for Channel 8
36	DAC6B	AO	Ground	Differential Negative Output for Channel 6
37	DAC6	AO	Ground	Differential Positive Output for Channel 6
38	AVCC_R	Power	Power	3.3V DAC analog output stage reference supply for the Right side
39	AGND	Ground	Ground	DAC analog output stage ground
40	SS/ADDR1/HW2	I	HiZ	Serial communication for SPI/I2C & HW2 interface pin, controlled by MODE pin
41	MISO/ADDR0/ MUTE_CTRL	I	HiZ	Serial communication for SPI/I2C & HW (MUTE_CTRL) interface pin, controlled by MODE pin
42	AGND_R	Ground	Ground	DAC analog output stage ground for the Right Side
43	AVCC_R	Power	Power	3.3V DAC analog output stage reference supply for the Right side
44	DAC4	AO	Ground	Differential Positive Output for Channel 4
45	DAC4B	AO	Ground	Differential Negative Output for Channel 4
46	DAC2B	AO	Ground	Differential Negative Output for Channel 2
47	DAC2	AO	Ground	Differential Positive Output for Channel 2
48	DVDD	Power	Power	Digital Supply, 1.2V
49	AVCC_R	Power	Power	3.3V DAC analog output stage reference supply for the Right side
50	AGND	Ground	Ground	DAC analog output stage ground



## ES9039MPRO & ES9039PRO Product Brief

51	DVDD	Power	Power	Digital Supply, 1.2V
52	DGND	Ground	Ground	Digital Core Ground
53	DATA8/GPIO8	I/O	HiZ	Serial DATA8, General I/O 8
54	DATA7/GPIO7	I/O	HiZ	Serial DATA7, General I/O 7
55	DATA6/GPIO6	I/O	HiZ	Serial DATA6, General I/O 6
56	DATA5/GPIO5	I/O	HiZ	Serial DATA5, General I/O 5
57	DATA4/GPIO4	I/O	HiZ	Serial DATA4, General I/O 4
58	DATA3	I	HiZ	Serial DATA3 pin
59	DATA2	I	HiZ	Serial DATA2 pin
60	DATA1	I	HiZ	Serial DATA1 pin
61	DATA_CLK	I	HiZ	Serial Data Clock pin
62	AVDD	Power	Power	3.3V I/O Supply
63	AGND	Ground	Ground	DAC analog output stage ground
64	AVCC_L	Power	Power	3.3V DAC analog output stage reference supply for the Left side
65*	Package Pad	AGND	AGND	Must be connected to AGND

\* Note: Pin 65 is the package pad and should be connected to AGND, AO = Analog Output, I = Digital Input, I/O = Digital Input/Output, AGND = Analog Ground, DGND = Digital Ground





## Feature List

The ES9039(M)PRO are SABRE 8 channel Flagship performance digital to analog converters (DAC) with features and performance including the new Hyperstream IV modulator that produces a device that is well suited for all Audiophile and PRO Audio applications.

These features include TDM & SPI support as well as a Hardware (HW) mode for simplifying configuration of the ES9039PRO. The ES9039MPRO includes a built in MQA renderer.

TDM / I2S / LJ / RJ / DSD / DoP interfaces are supported.

Sample rates up to 768kHz with PCM data and 7 selectable build-in digital filters as well as programmable filters. DSD rates up to DSD1024 are supported as well.

## Configuration Modes

The ES9039PRO/ES9039MPRO have 4 control programming modes. They are controlled by the state of the MODE (pin 23):

MODE PIN	Configuration
0	I <sup>2</sup> C interface
Pull Low	HW control mode (see Hardware Mode Table)
Pull High	HW control mode (see Hardware Mode Table)
1	SPI interface

## Software Mode

To configure the ES9039MPRO & ES9039PRO registers manually over I<sup>2</sup>C or SPI, connect the following pins:

### I<sup>2</sup>C

- MODE (Pin 23) – **GND**
- Connect per I<sup>2</sup>C standard
  - SDA (Pin 21)
  - SCL (Pin 22)
  - ADDR0 (Pin 41)
  - ADDR1 (Pin 40)

Available I2C Addresses for the ES9039(M)PRO:

I2C Address	ADDR1	ADDR0
0x90	<b>GND</b>	<b>GND</b>
0x92	<b>GND</b>	<b>AVDD</b>
0x94	<b>AVDD</b>	<b>GND</b>
0x96	<b>AVDD</b>	<b>AVDD</b>

Table 1 – I2C address configurations

### SPI

- Mode (Pin 23) – **AVDD**
- Connect per SPI standard
  - MOSI (Pin 21)
  - SCLK (Pin 22)
  - SS (Pin 40)
  - MISO (Pin 41)



## Hardware Mode

The ES9039MPRO & ES9039PRO has 32 pre-configured modes that can be set with external pin configuration. These modes configure the DAC for different input serial data rates and set the DAC muting.

These modes are set with pins:

- MODE (Pin 23)
- HW0 (Pin 21)
- HW1 (Pin 22)
- HW2 (Pin 40)
- MUTE\_CTRL (Pin 41)

Each hardware mode pin has 4 states:

- 0 – Pin directly connected to GND
- 1 – Pin directly connected to AVDD
- Pull 0 – Pin pulled to GND through 47kΩ resistor
- Pull 1 – Pin pulled to AVDD through 47kΩ resistor

### Design Information

Each hardware mode pin can be configured with either a pull-up or pull-down resistor. Therefore, it is important that the pin is configured to allow for the desired hardware modes. Some guidelines include the following:

- The HW0 and HW1 pins never require a pull up or pull-down resistor.

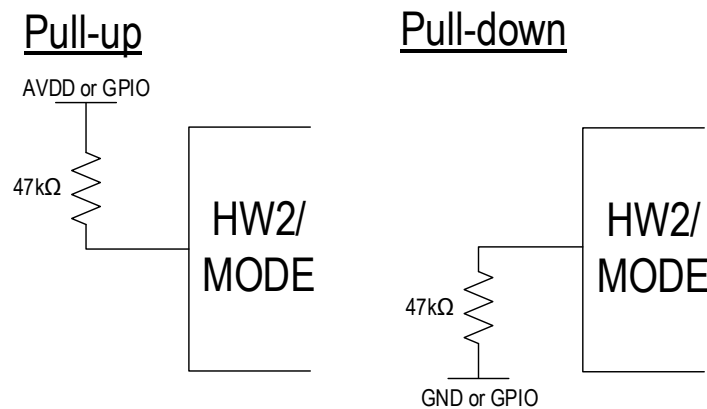


Figure 2 – Hardware mode pin configurations

## Muting

MUTE\_CTRL (Pin 41) is used to control the muting of the output and enabling of the Automute feature while in Hardware Mode:

- 0 – Output Muted, No Automute
- 1 – Output Unmuted, No Automute
- Pull 0 – Output Muted, Automute Enabled
- Pull 1 – Output Unmuted, Automute Enabled

## Hardware Mode Pin Configurations

HW Mode	FS (kHz)	BCK (MHz)	MCLK (MHz)	BCK/Channel	MODE	HW2	HW1	HW0
<b>I2S Master Mode</b>								
0	MCLK / 128	MCLK / 2	5 < MCLK < 50	32	Pull 0	0	0	0
1	MCLK / 256	MCLK / 4	5 < MCLK < 50	32	Pull 0	0	0	1
2	MCLK / 512	MCLK / 8	5 < MCLK < 50	32	Pull 0	0	1	0
3	MCLK / 1024	MCLK / 16	5 < MCLK < 50	32	Pull 0	0	1	1
<b>IJ Master Mode</b>								
4	MCLK / 128	MCLK / 2	5 < MCLK < 50	32	Pull 0	Pull 0	0	0
5	MCLK / 256	MCLK / 4	5 < MCLK < 50	32	Pull 0	Pull 0	0	1
6	MCLK / 512	MCLK / 8	5 < MCLK < 50	32	Pull 0	Pull 0	1	0
7	MCLK / 1024	MCLK / 16	5 < MCLK < 50	32	Pull 0	Pull 0	1	1
<b>I2S Slave SYNC, Auto Detect FS &amp; BCK, MCLK/1</b>								
8	Auto (8 < FS < 384)	64FS	128FS < MCLK < 50	32	Pull 0	Pull 1	0	0
<b>I2S Slave SYNC, Auto Detect FS &amp; BCK, MCLK/2</b>								
9	Auto (8 < FS < 192)	64FS	128FS < MCLK < 50	32	Pull 0	Pull 1	0	1
<b>I2S Slave SYNC, Auto Detect FS &amp; BCK, MCLK/4</b>								
10	Auto (8 < FS < 96)	64FS	128FS < MCLK < 50	32	Pull 0	Pull 1	1	0
<b>I2S Slave SYNC, Auto Clock Gear (128FS), Auto Detect FS &amp; BCK</b>								
11	Auto (8 < FS < 384)	64FS	128FS < MCLK < 50	32	Pull 0	Pull 1	1	1
<b>IJ Slave SYNC, Auto Detect FS &amp; BCK, MCLK/1</b>								
12	Auto (8 < FS < 384)	64FS	128FS < MCLK < 50	32	Pull 0	1	0	0
<b>IJ Slave SYNC, Auto Detect FS &amp; BCK, MCLK/2</b>								
13	Auto (8 < FS < 192)	64FS	128FS < MCLK < 50	32	Pull 0	1	0	1
<b>IJ Slave SYNC, Auto Detect FS &amp; BCK, MCLK/4</b>								
14	Auto (8 < FS < 96)	64FS	128FS < MCLK < 50	32	Pull 0	1	1	0
<b>IJ Slave SYNC, Auto Clock Gear (128FS), Auto Detect FS &amp; BCK</b>								
15	Auto (8 < FS < 384)	64FS	128FS < MCLK < 50	32	Pull 0	1	1	1
<b>S/PDIF, DoP, or I2S Slave ASYNC, Auto Detect, MCLK/1</b>								
16**	Auto (8 < FS < 384)	64FS	130FS < MCLK < 50	32	Pull 1	0	0	0
<b>S/PDIF, DoP, or I2S Slave ASYNC, Auto Detect, MCLK/2</b>								
17**	Auto (8 < FS < 192)	64FS	130FS < MCLK < 50	32	Pull 1	0	0	1
<b>S/PDIF, DoP, or I2S Slave ASYNC, Auto Detect, MCLK/4</b>								
18**	Auto (8 < FS < 96)	64FS	130FS < MCLK < 50	32	Pull 1	0	1	0
<b>I2S Slave ASYNC, Auto Clock Gear (&gt;130FS), Auto Detect</b>								
19	Auto (8 < FS < 384)	64FS	130FS < MCLK < 50	32	Pull 1	0	1	1



## ES9039MPRO &amp; ES9039PRO Product Brief

LJ Slave ASYNC, Auto Detect, MCLK/1								
20	Auto (8 < FS < 384)	64FS	130FS < MCLK < 50	32	Pull 1	Pull 0	0	0
LJ Slave ASYNC, Auto Detect, MCLK/2								
21	Auto (8 < FS < 192)	64FS	130FS < MCLK < 50	32	Pull 1	Pull 0	0	1
LJ Slave ASYNC, Auto Detect, MCLK/4								
22	Auto (8 < FS < 96)	64FS	130FS < MCLK < 50	32	Pull 1	Pull 0	1	0
LJ Slave ASYNC, Auto Clock Gear, Auto Detect								
23	Auto (8 < FS < 384)	64FS	130FS < MCLK < 50	32	Pull 1	Pull 0	1	1
DSD Slave, SYNC, Auto Detect								
24	64FS	64FS	128FS < MCLK < 50	--	Pull 1	Pull 1	0	0
DSD Slave, SYNC, Auto Clock Gear, Auto Detect								
25	64FS	64FS	128FS < MCLK < 50	--	Pull 1	Pull 1	0	1
DSD Slave, ASYNC, Auto FS								
26	64FS	64FS	130FS < MCLK < 50	--	Pull 1	Pull 1	1	0
DSD Slave, ASYNC, Auto Clock Gear, Auto FS								
27	64FS	64FS	130FS < MCLK < 50	--	Pull 1	Pull 1	1	1
TDM MSB Justified, Slave, SYNC, Auto Detect								
28*	Auto (8 < FS < 192)	Auto (256FS,512FS, 1024FS)	128FS < MCLK < 50	32	Pull 1	1	0	0
29*	Auto (8 < FS < 96)	Auto (512FS, 1024FS)	128FS < MCLK < 50	32	Pull 1	1	0	1
30*	Auto (8 < FS < 48)	Auto (1024FS)	128FS < MCLK < 50	32	Pull 1	1	1	0
31*	Auto (8 < FS < 48)	Auto (1024FS)	128FS < MCLK < 50	32	Pull 1	1	1	1

\*Note 1: Mode 28 = Channel Slots 1 to 8, Mode 29 = Channel Slots 9 to 16, Mode 30 = Channel slots 17 to 24, Mode 31 = Channel slots 25 to 32.

\*\* Note 2 If DoP is required, HW modes 16-18 must be used

## Recommended Hardware Mode Setup Sequence

The hardware mode setup sequence is shown below with all hardware pins being defined after CHIP\_EN is asserted.

*Note: It is recommended that MUTE\_CTRL is set low until the HW mode is finalized, then asserted last.*

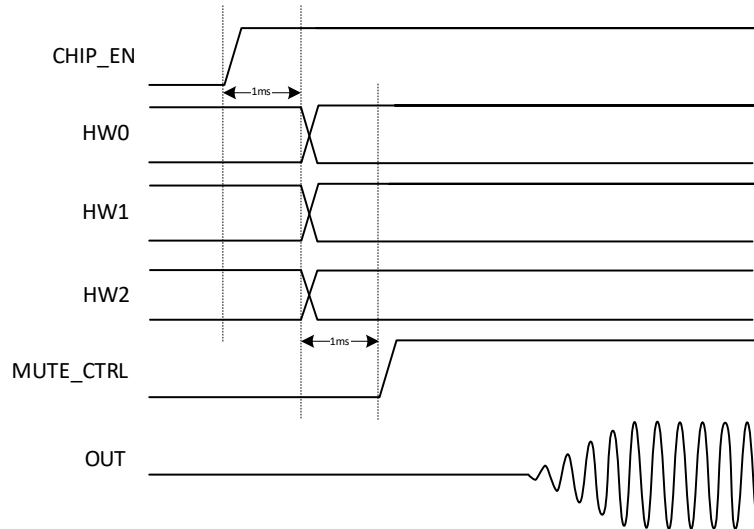


Figure 3 – Hardware mode startup sequence



## ES9039MPRO & ES9039PRO Product Brief

### Hardware Mode Audio Input Format Compatibility

Hardware Modes	Input Datatype						
	I2S	LJ	RJ	TDM	DOP	DSD	S/PDIF
Equivalent Software Mode	✓	✓	✓	✓	✓	✓	✓
HW 0-3	✓						
HW 4-7		✓					
HW 8-11	✓						
HW 12-15		✓					
HW 16-18	✓				✓ <sub>1</sub>		✓ <sub>2</sub>
HW 19	✓						
HW 20-23		✓					
HW 24-27						✓	
HW 28-31				✓			

Note 1. For hardware modes 16-18, DoP is enabled by pulling DATA8/GPIO8 high

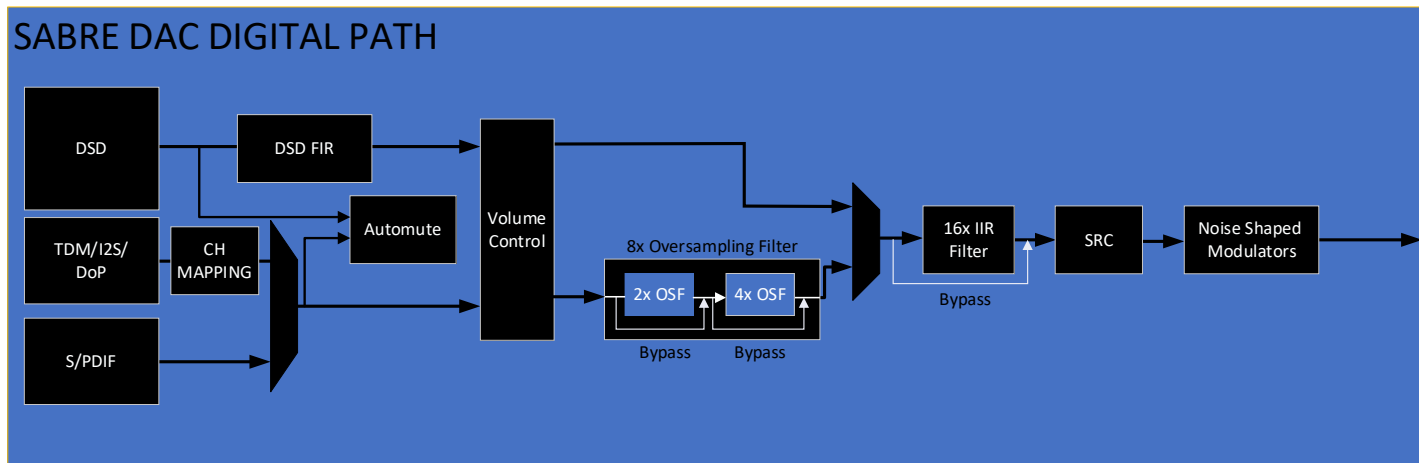
Note 2. For hardware modes 16-18, SPDIF stream is input through DATA7/GPIO7

### Hardware Mode Features

Hardware Modes	Input HW Mode Features				
	AUTO_FS_DETECT	AUTO_CH_NUM	AUTO_INPUT_SEL	SYNC mode	ASYNc mode
Equivalent Software Mode	Reg 3[7]	Reg 57[7]	Reg57[0]	Reg1[6]	Reg1[6]
HW 0-15	✓			✓	
HW 16-18			✓		✓
HW 19-23					✓
HW 24-25	✓			✓	
HW 26-27					✓
HW 28-31	✓	✓		✓	

## Digital Features

### Digital Signal Path



Note: Channel Mapping is only available with the TDM/I2S & DoP interface.

### GPIO Configuration

GPIO_CONFIG	Function	I/O Direction
0	Analog Shutdown*	N/A
1	1'b0	Output
2	1'b1	Output
3	CLK_IDAC	Output
4	Interrupt	Output
5	Mute all channel	Input
6	Input Selection	Input
7	Lock_status	Output
8	CLK_VALID flag	Output
9	PWM1	Output
10	PWM2	Output
11	PWM3	Output
12	Volume min	Output
13	Automute status	Output
14	Soft Ramp finished	Output
15	MQA_Auth_True**	Output

Table 2 – Standard GPIO Functions

For GPIO\_CONFIG 0:

\*Analog Shutdown is input disabled, output is tri-stated

For GPIO\_CONFIG 15:

\*\*MQA\_Auth\_True is for ES9039MPRO only. Determines if the incoming stream is an MQA stream or not.

GPIOx Default states:

GPIO1: Automute Status

GPIO3-8: Analog Shutdown

GPIO2: Lock Status



## Audio Input Formats

For configuring TDM, I2S, DSD, use Registers 57-71

### Time-division multiplexing (TDM)

The ES9039(M)PRO supports up to 32 channel TDM modes. Application Note regarding setup for TDM will be available soon.

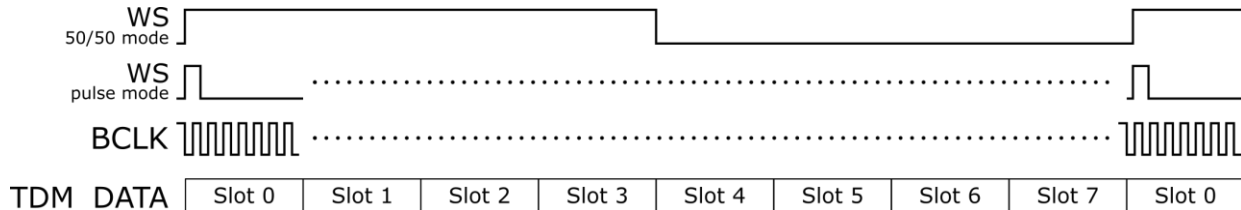


Figure 4 – Example of using 8 channels of TDM showing both a 50/50 word select mode and a pulse word select mode

### PCM (subset of TDM interface)

Data is latched on the positive edge of BCK

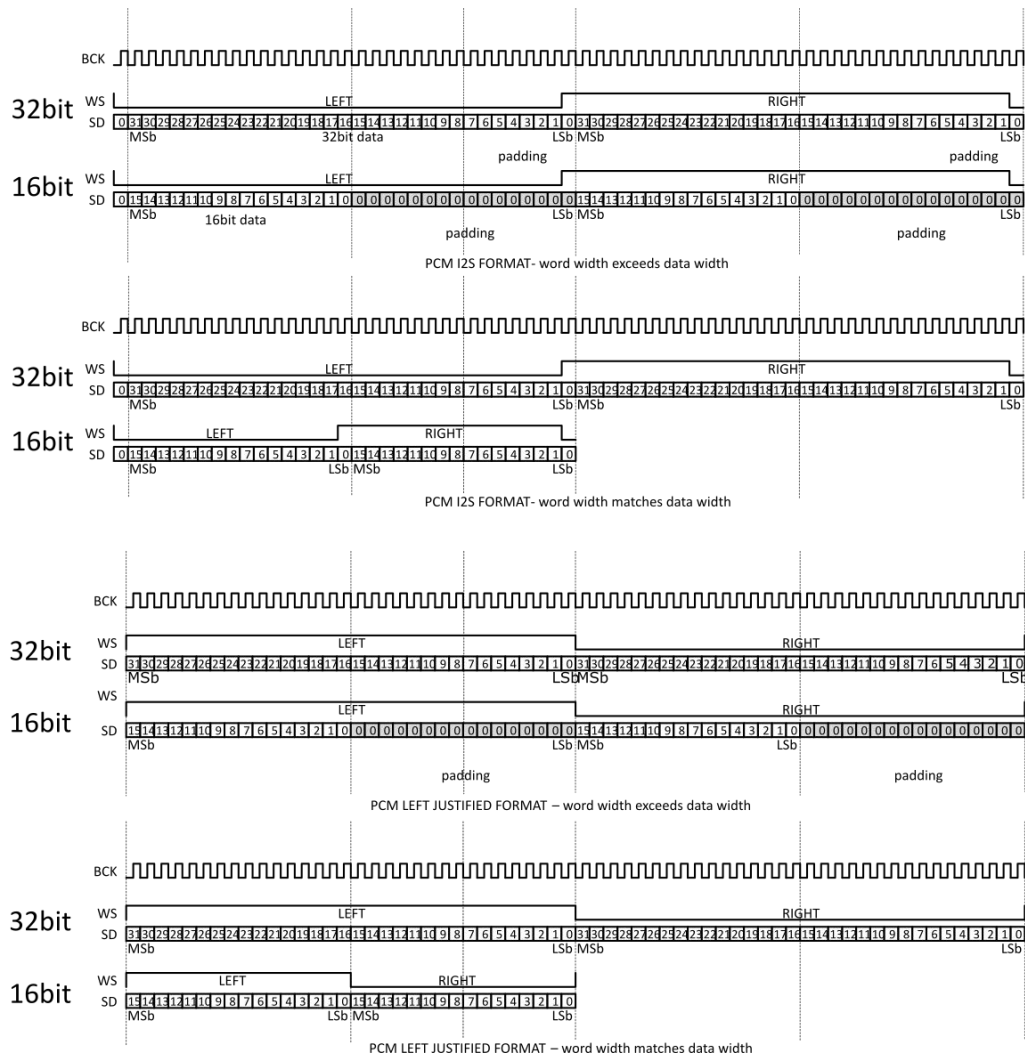


Figure 5 – I2S & LJ Output Format





**DSD**

Data is latched on the positive edge of DCLK.

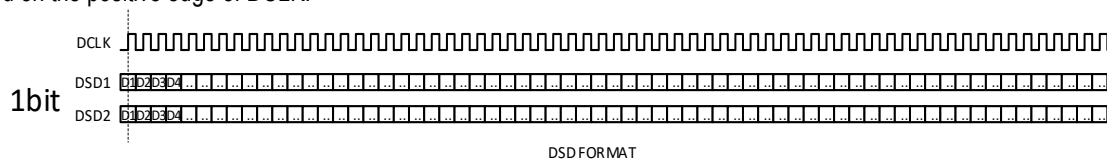


Figure 6 – DSD format

Note: There is no internal DSD channel mapping, DSD data must be physically connected to each pin DATA1-DATA8.



## Pre-Programmed Digital Filters

The ES9039MPRO & ES9039PRO has 7 pre-programmed digital filters. The latency for each filter reduces (scales) with increasing sample rates. (See Register 88[2:0])

- Minimum Phase (default)
- Linear Phase Apodizing
- Linear Phase Fast Roll-off
- Linear Phase Slow Roll-off
- Minimum Phase Fast Roll-off
- Minimum Phase Slow Roll-off
- Minimum Phase Slow Roll-off Low Dispersion

## PCM Filter Latency

The following table shows the simulated latency of each filter at 48kHz sampling rate. Latency delay will reduce (scale) with sampling rate.

Digital Filter	Delay(us) @ fs=48kHz
Minimum phase (default)	158us
Linear Phase Apodizing	760us
Linear Phase Fast Roll-Off	771us
Linear Phase Slow Roll-Off	208us
Minimum Phase fast roll-off	158us
Minimum Phase slow roll-off	137us
Minimum Phase Slow roll-off low dispersion	282us

## ES9039MPRO &amp; ES9039PRO Datasheet



## PCM Filter Properties (44.1kHz Sampling)

Minimum Phase					
Parameter	Conditions	MIN	TYP	MAX	UNIT
Pass band	-3dB			0.49 x fs	Hz
Stop band	-97dB	0.64 x fs			Hz
Group Delay		3.29/fs		9.37/fs	s
Flatness (ripple)	0.0004				dB

Linear Phase Apodizing					
Parameter	Conditions	MIN	TYP	MAX	UNIT
Pass band	-3dB			0.44 x fs	Hz
Stop band	-107dB	3.68 x fs			Hz
Group Delay			33.2/fs		s
Flatness (ripple)	0.0017				dB

Linear Phase Fast Roll-off					
Parameter	Conditions	MIN	TYP	MAX	UNIT
Pass band	-3dB			0.48 x fs	Hz
Stop band	-118dB	1.99 x fs			Hz
Group Delay			33.8/fs		s
Flatness (ripple)	0.0023				dB

Linear Phase Slow Roll-off					
Parameter	Conditions	MIN	TYP	MAX	UNIT
Pass band	-3dB			0.43 x fs	Hz
Stop band	-84dB	0.74 x fs			Hz
Group Delay			5.62/fs		s
Flatness (ripple)	0.002				dB

Minimum Phase Fast Roll-off					
Parameter	Conditions	MIN	TYP	MAX	UNIT
Pass band	-3dB			0.48 x fs	Hz
Stop band	-99dB	0.60 x fs			Hz
Group Delay		3.29/fs		9.51/fs	s
Flatness (ripple)	0.0016				dB

Minimum Phase Slow Roll-off					
Parameter	Conditions	MIN	TYP	MAX	UNIT
Pass band	-3dB			0.43 x fs	Hz
Stop band	-84dB	0.79 x fs			Hz
Group Delay		2.5/fs		3/fs	s
Flatness (ripple)	0.0035				dB

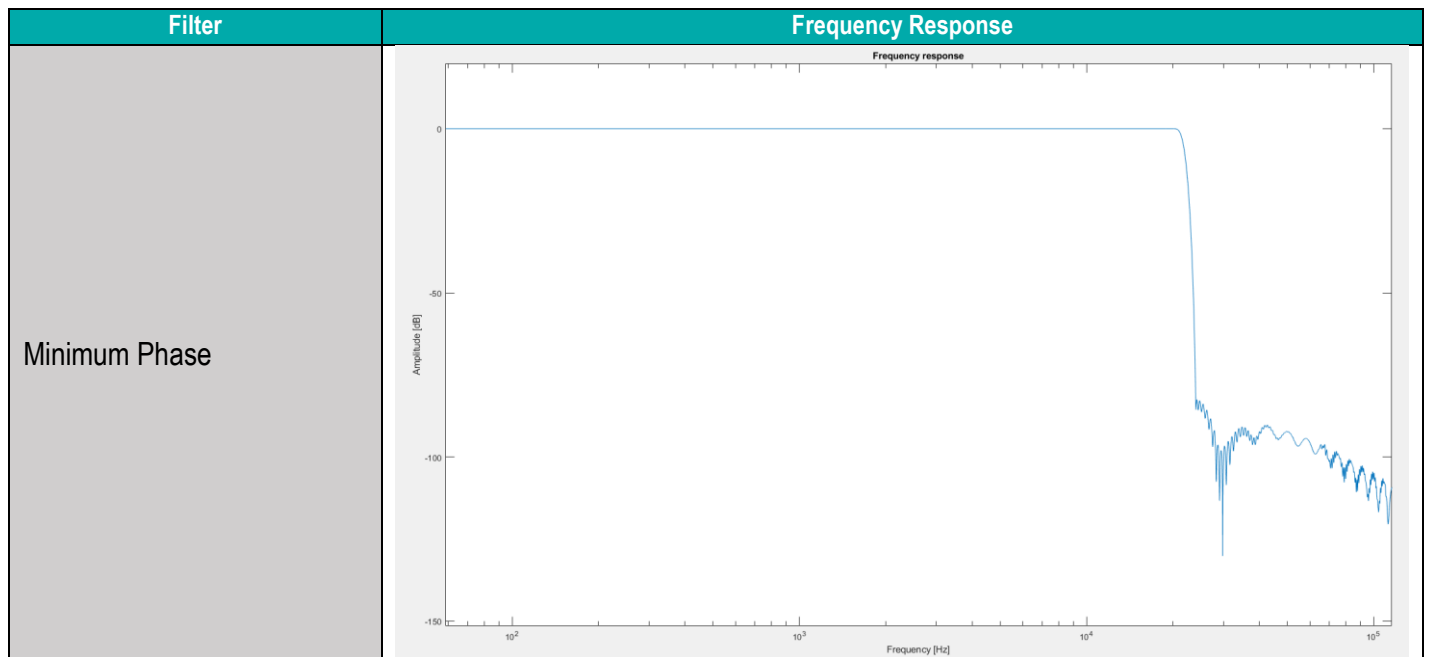


## ES9039MPRO & ES9039PRO Product Brief

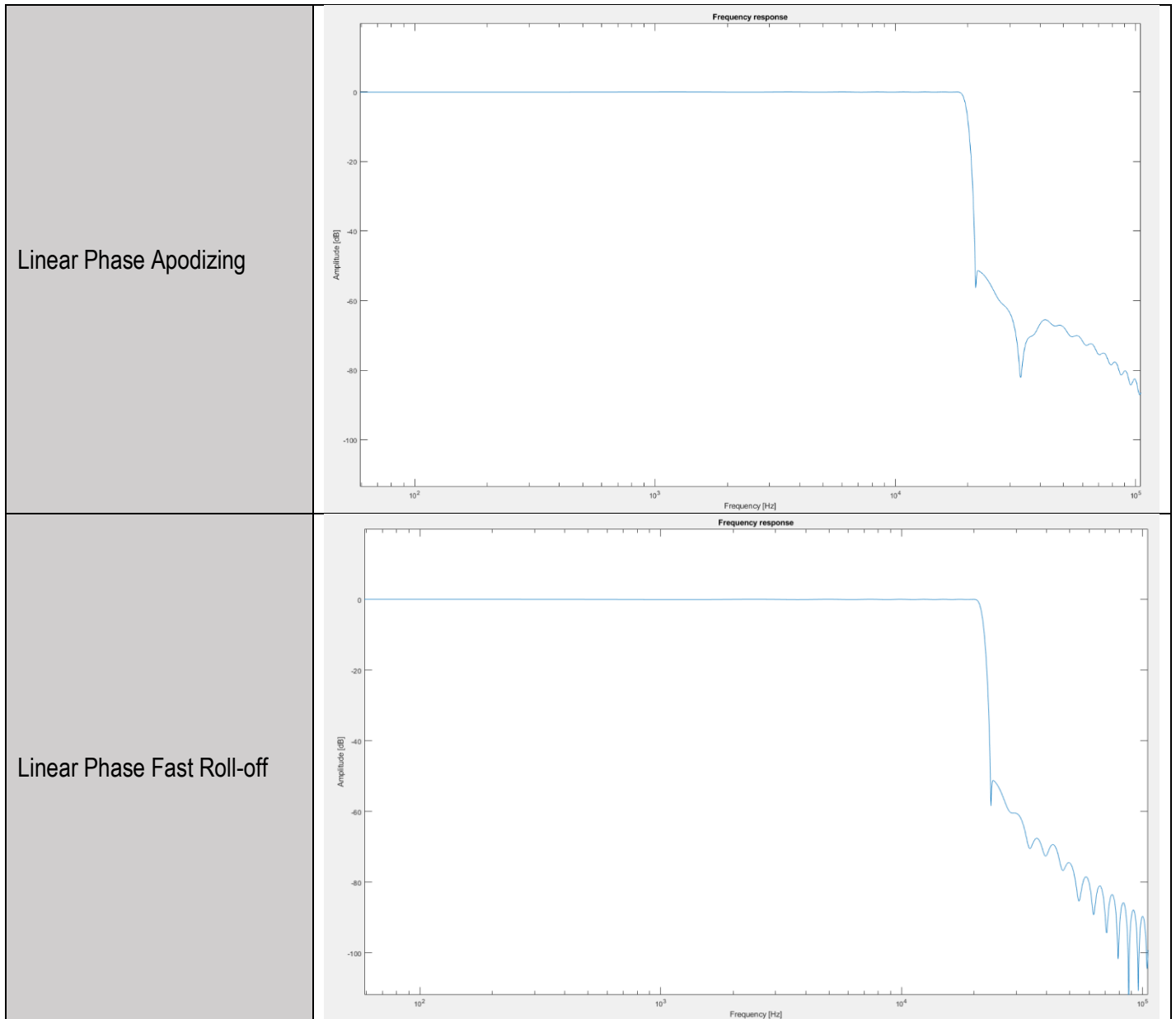
Minimum Phase Slow Roll-off Low Dispersion					
Parameter	Conditions	MIN	TYP	MAX	UNIT
Pass band	-3dB			0.43 x fs	Hz
Stop band	-84dB	0.79 x fs			Hz
Group Delay		9.7/fs		9.9/fs	s
Flatness (ripple)	0.0053				dB

### PCM Filter Frequency Response

The following frequency responses were obtained from software simulations of these filters. Simulation sample rate is 44.1kHz.



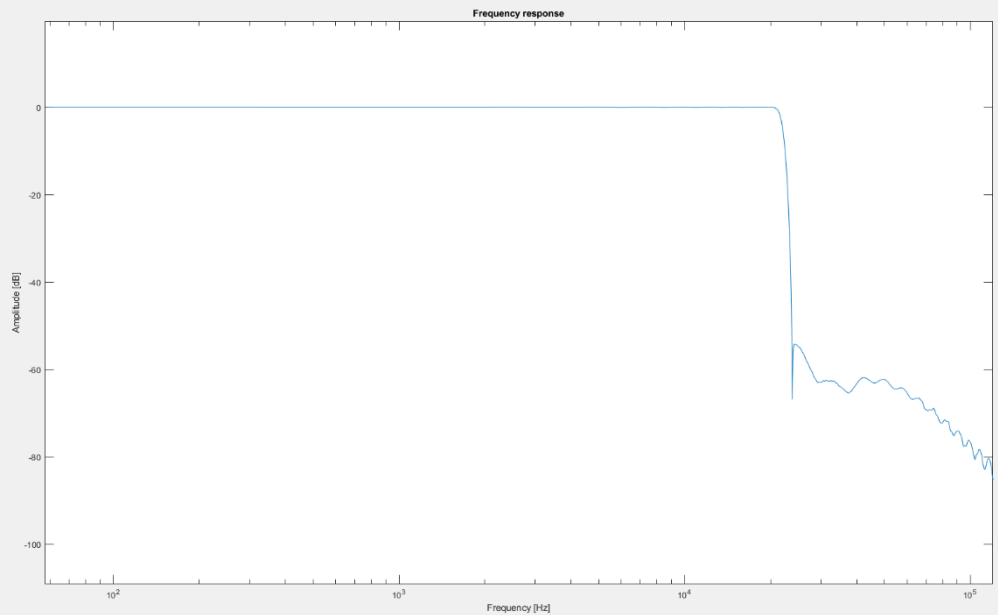
# ES9039MPRO & ES9039PRO Datasheet



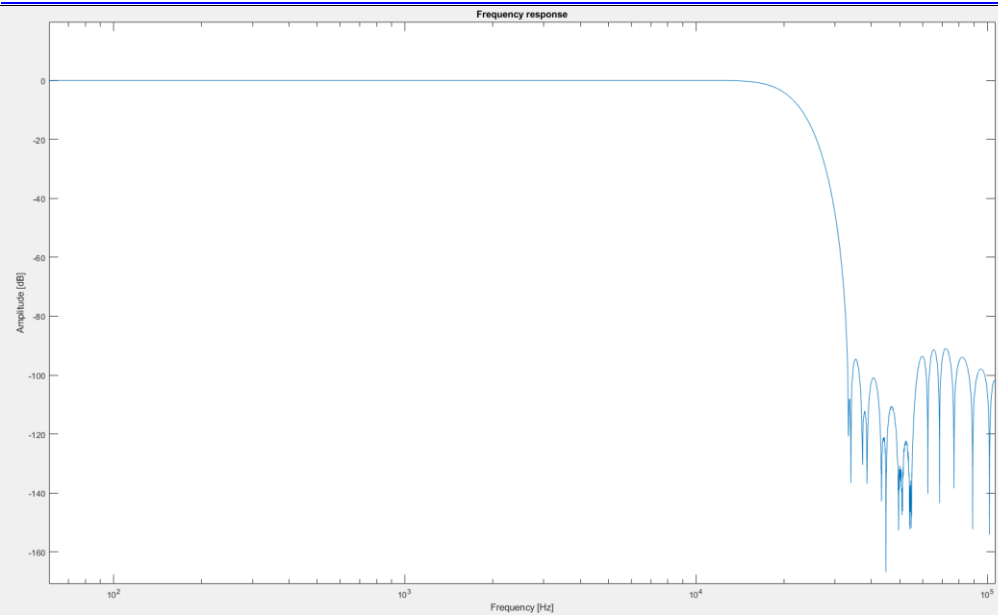


# ES9039MPRO & ES9039PRO Product Brief

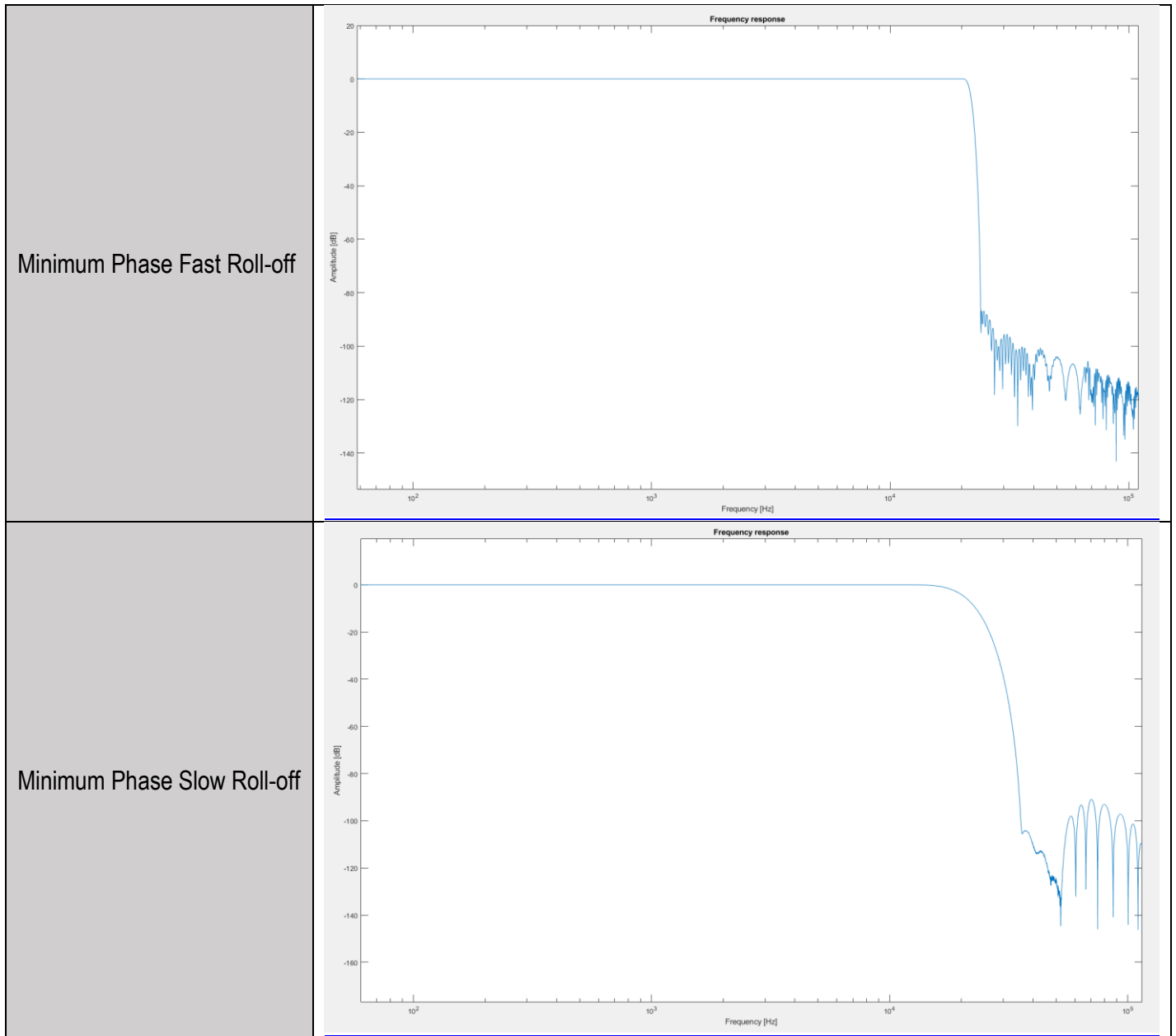
Linear Phase Fast Roll-off  
Low Ripple



Linear Phase Slow Roll-off

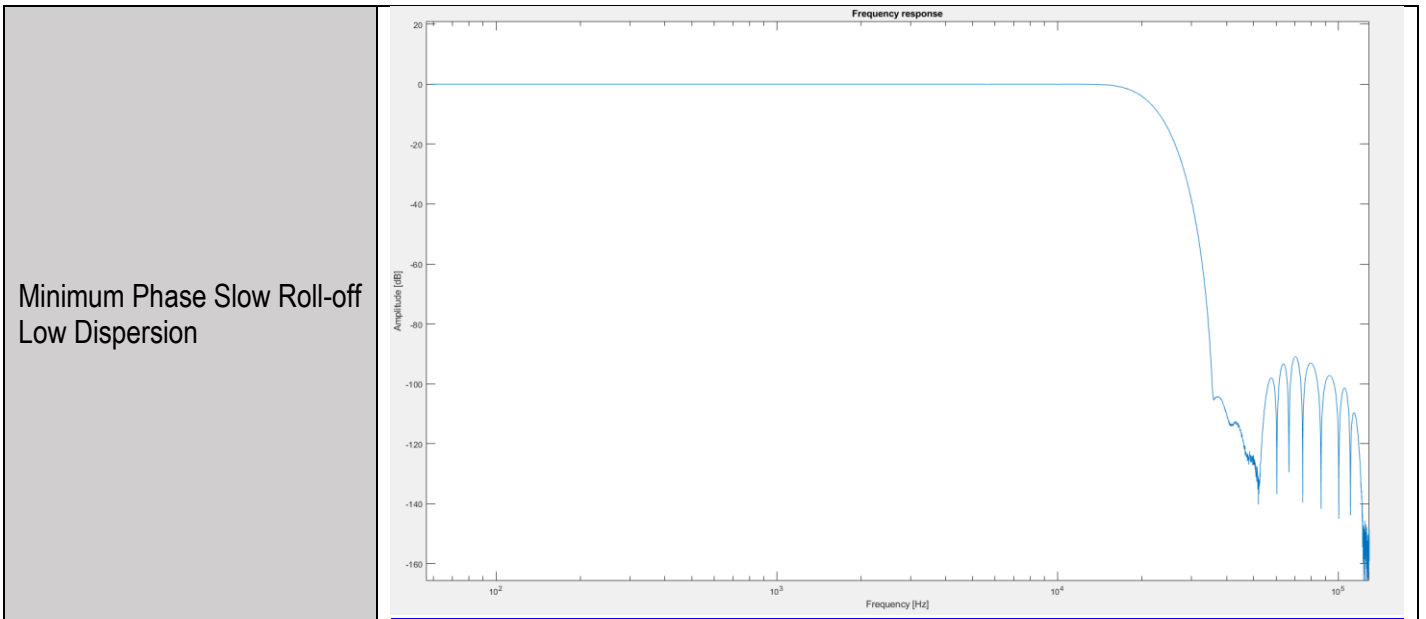


# ES9039MPRO & ES9039PRO Datasheet



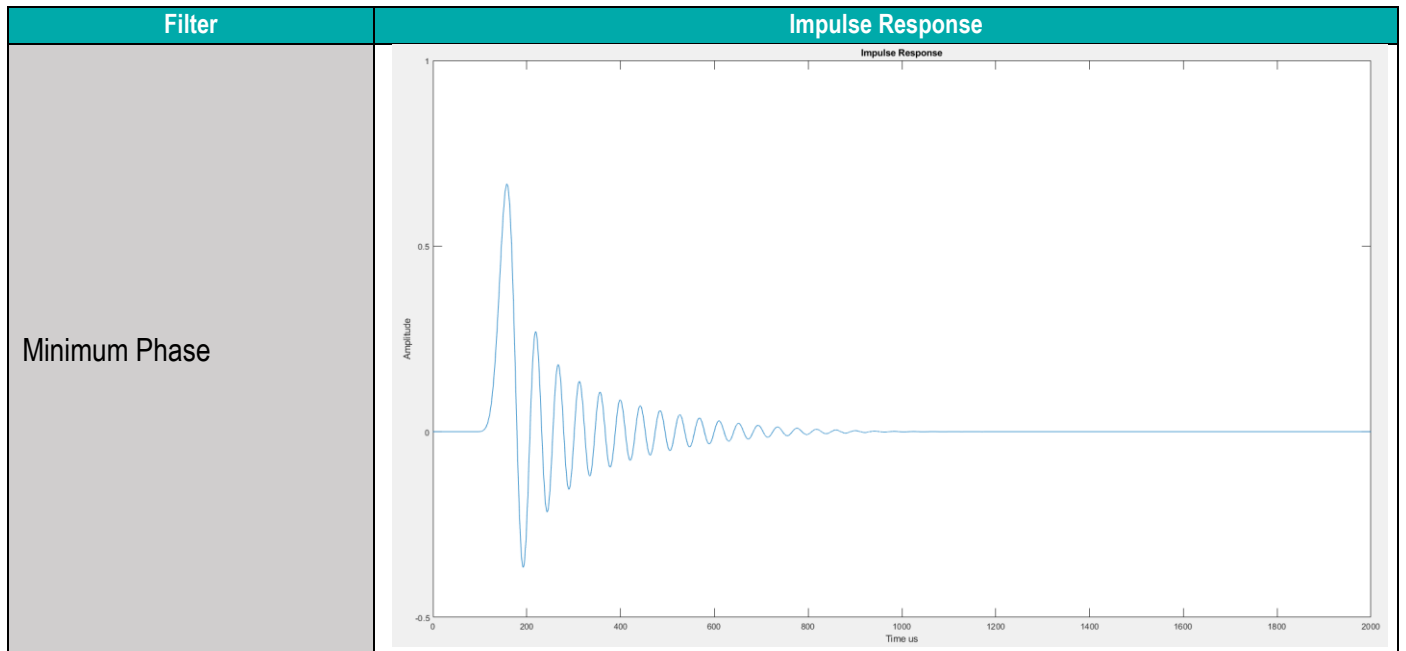


# ES9039MPRO & ES9039PRO Product Brief



### PCM Filter Impulse Response

The following impulse responses were obtained from software simulations of these filters. Simulation sample rate is 44.1kHz.

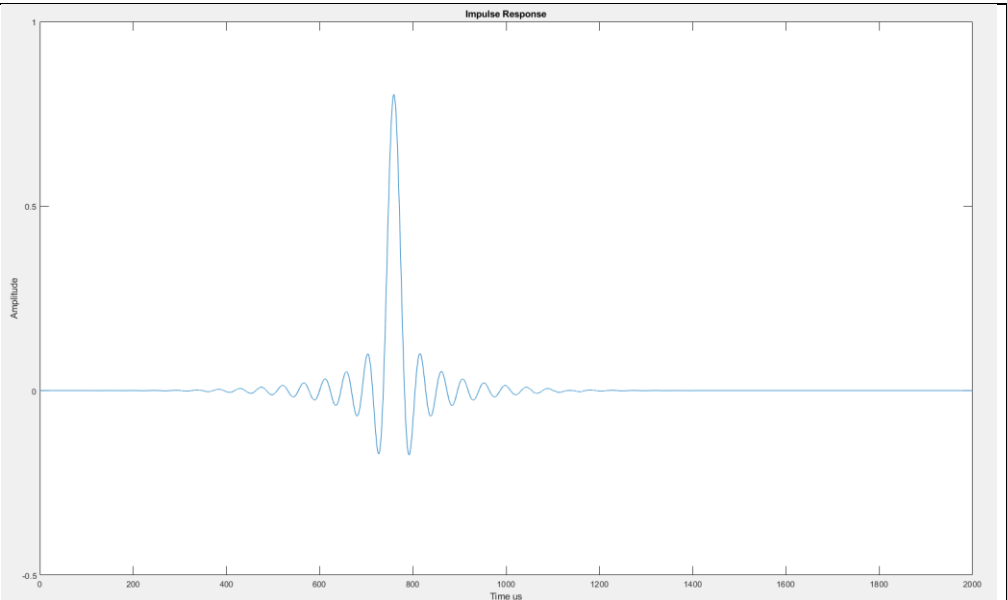




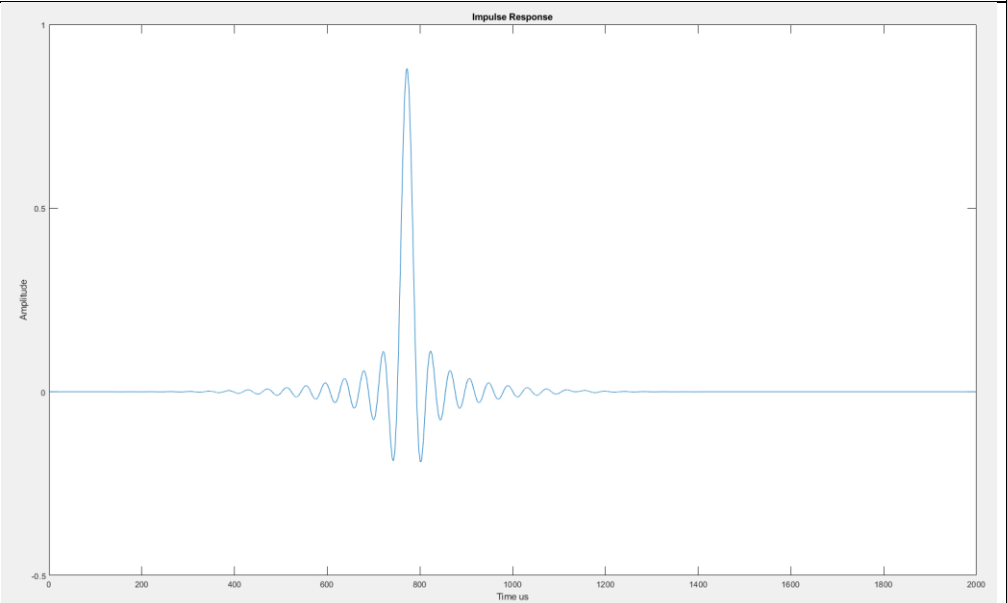
# ES9039MPRO & ES9039PRO Datasheet



Linear Phase Apodizing



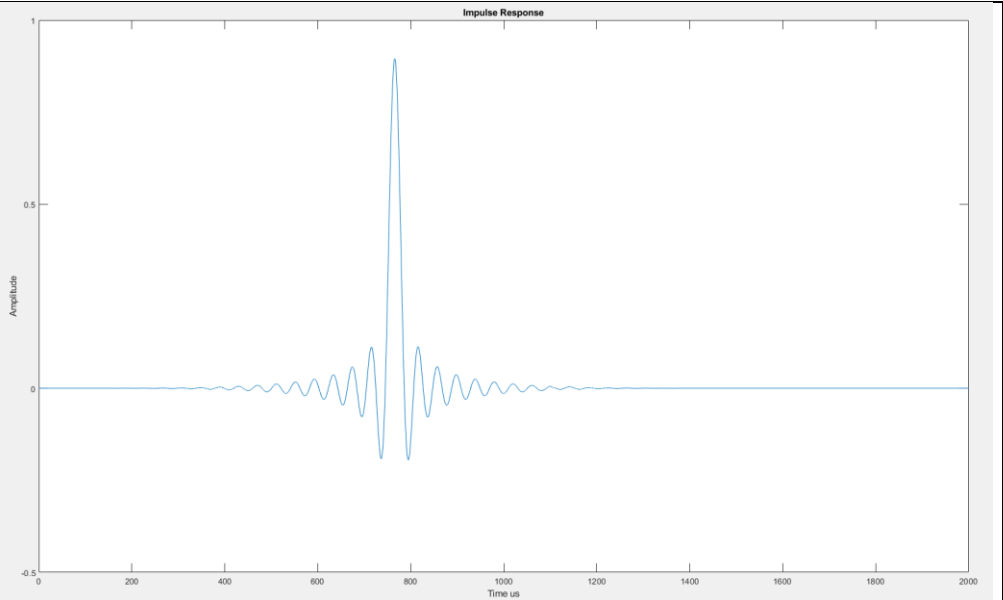
Linear Phase Fast Roll-off



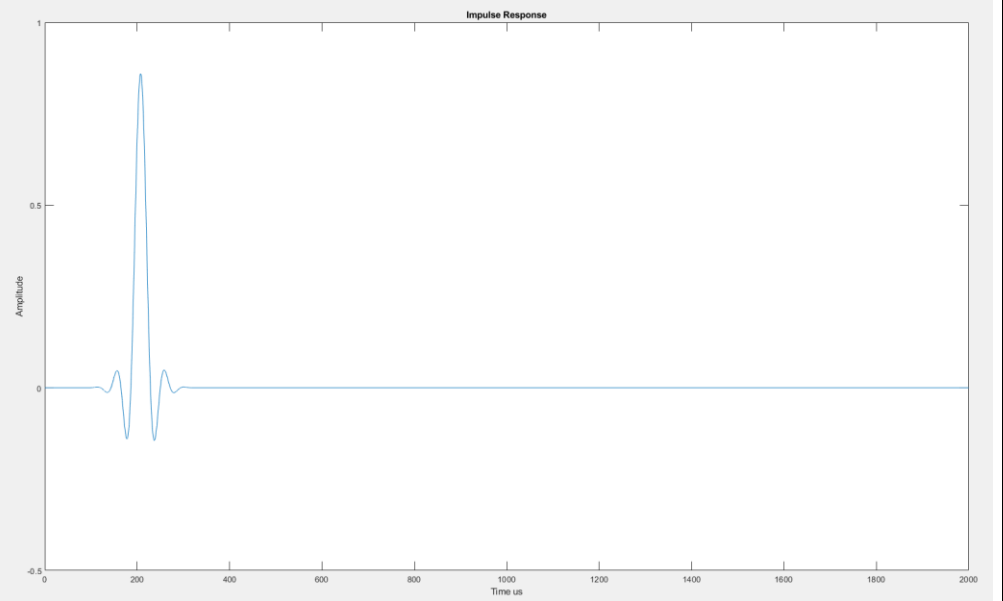


# ES9039MPRO & ES9039PRO Product Brief

Linear Phase Fast Roll-off  
Low Ripple



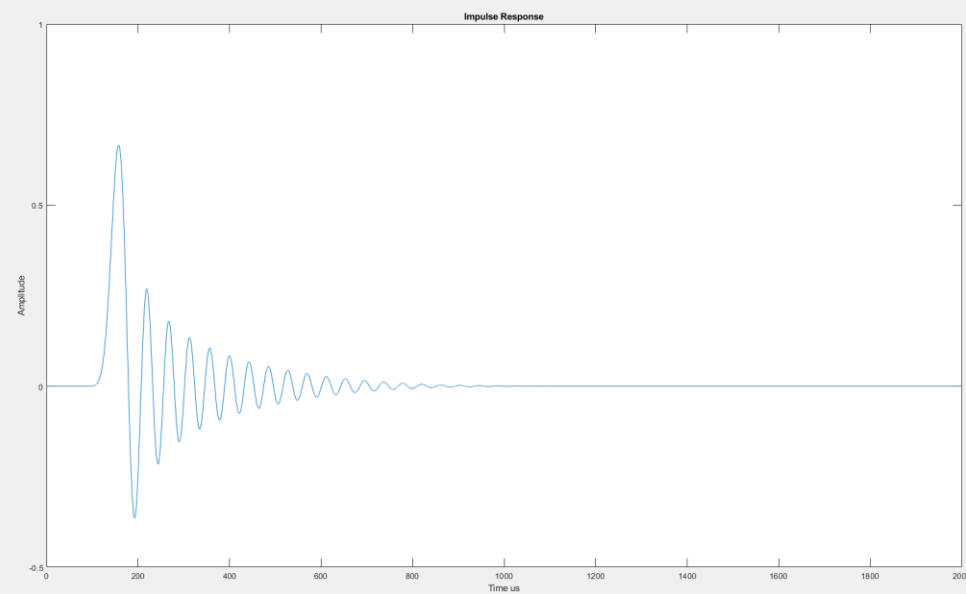
Linear Phase slow roll-off



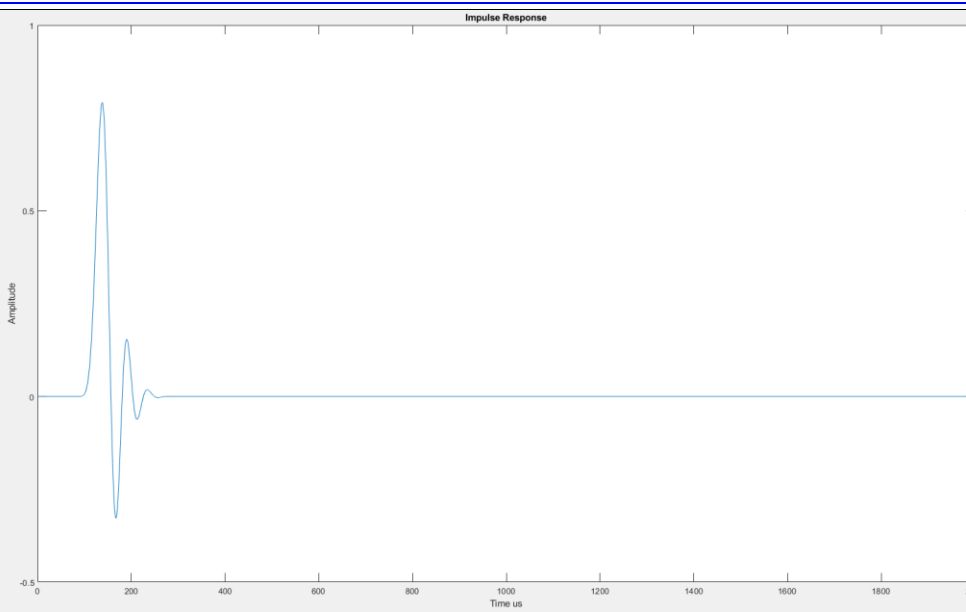
# ES9039MPRO & ES9039PRO Datasheet



Minimum phase fast roll-off



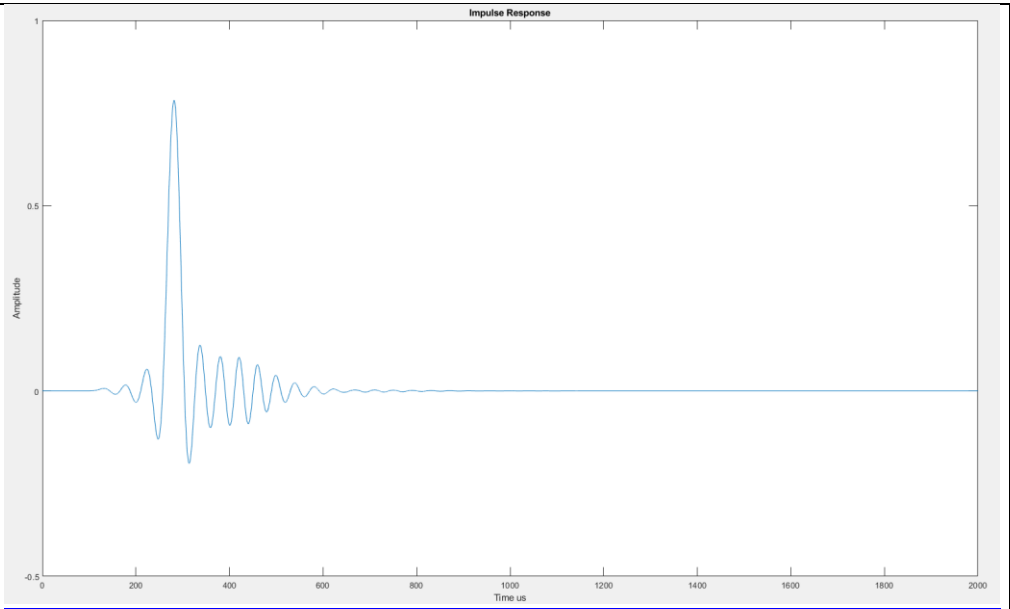
Minimum phase slow roll-off





## ES9039MPRO &amp; ES9039PRO Product Brief

Minimum phase slow roll-off  
low dispersion





## Absolute Maximum Ratings

PARAMETER	RATING
Positive Supply Voltage <ul style="list-style-type: none"> <li>• AVCC_L</li> <li>• AVCC_R</li> <li>• AVDD</li> <li>• VCCA</li> <li>• DVDD</li> </ul>	<ul style="list-style-type: none"> <li>• +3.7V with respect to Ground</li> <li>• +3.7V with respect to Ground</li> <li>• +3.7V with respect to Ground</li> <li>• +3.7V with respect to Ground</li> <li>• +1.4V with respect to Ground</li> </ul>
Storage temperature	-65°C to +150°C
Operating Junction Temperature	+125°C
Voltage range for digital input pins	-0.3V to AVDD(nom)+0.3V
ESD Protection	
Human Body Model (HBM)	TBD
Charge Device Model (CDM)	TBD

Table 3 – Absolute Maximum Ratings

**WARNING:** Stresses beyond those listed under here may cause permanent damage to the device. These are stress ratings only and functional operation of the device at these or any other conditions beyond those indicated under Recommended Operating Conditions is not implied.

**WARNING:** Electrostatic Discharge (ESD) can damage this device. Proper procedures must be followed to avoid ESD when handling this device.

## IO Electrical Characteristics

PARAMETER	SYMBOL	MINIMUM	MAXIMUM	UNIT	COMMENTS
High-level input voltage	VIH	$(AVDD / 2) + 0.4$		V	
Low-level input voltage	VIL		0.4	V	
High-level output voltage	VOH	$AVDD - 0.2$		V	
Low-level output voltage	VOL		0.2	V	

Table 4 – IO electrical characteristics



## Recommended Operating Conditions

There are the recommended operating conditions for the ES9039MPRO/ES9039PRO

PARAMETER	SYMBOL	CONDITIONS
Operating temperature	T <sub>A</sub>	-20°C to +85°C
AVCC_L		3.3V
AVCC_R		3.3V
AVDD		3.3V
VCCA		3.3V
DVDD		1.2V

Table 5 – Recommended operating conditions

## ES9039MPRO &amp; ES9039PRO Datasheet



## Power Consumption

Power numbers are given when the device is in slave mode.

Test Condition 0 Standby

Standby (CHIP_EN = 0)					
AVCC			<60		uA
AVDD			3		uA
VCCA			1		uA
DVDD			1.4		mA

Test Conditions 1 (unless otherwise noted)

T<sub>A</sub> = 25°C, AVCC\_R = AVCC\_L = VCCA = AVDD = +3.3V, DVDD = +1.2V, fs = 48kHz, DAC enabled, 1kHz sine full scale

Parameter	Min	Typ	Max	Unit
<b>Hardware Mode: 3 (MCLK = 49.152MHz) Master Mode 1024*fs</b>				
AVCC_R		57.0		mA
AVCC_L		57.0		mA
VCCA		1.1		mA
AVDD		2.4		mA
DVDD		69.4		mA
<b>Hardware Mode: 2 (MCLK = 24.576MHz)</b>				
AVCC_R		50.5		mA
AVCC_L		50.5		mA
VCCA		0.6		mA
AVDD		2.4		mA
DVDD		36.0		mA
<b>Hardware Mode: 18 (MCLK = 50MHz)</b>				
AVCC_R		45.3		mA
AVCC_L		45.3		mA
VCCA		0.42		mA
AVDD		0.4		mA
DVDD		41.6		mA

Table 6 – Power consumption with test conditions 1



## ES9039MPRO & ES9039PRO Product Brief

Test Conditions 2 (unless otherwise noted)

T<sub>A</sub> = 25°C, AVCC\_R = AVCC\_L = VCCA = AVDD = +3.3V, DVDD = +1.2V, fs = 48kHz, DAC enabled, streaming zeros

Parameter	Min	Typ	Max	Unit
<b>Hardware Mode: 3 (MCLK = 49.152MHz)</b>				
AVCC_R		13.7		mA
AVCC_L		13.7		mA
VCCA		1.0		mA
AVDD		2.3		mA
DVDD		42.3		mA
<b>Hardware Mode: 2 (MCLK = 24.576MHz)</b>				
AVCC_R		7.6		mA
AVCC_L		7.6		mA
VCCA		0.6		mA
AVDD		2.4		mA
DVDD		17.1		mA
<b>Hardware Mode: 18 (MCLK = 50MHz)</b>				
AVCC_R		4.0		mA
AVCC_L		4.0		mA
VCCA		0.5		mA
AVDD		0.4		mA
DVDD		29.3		mA

Table 7 – Power consumption with test conditions 2



## ES9039MPRO &amp; ES9039PRO Datasheet



## Performance

Test Conditions 1 (unless otherwise noted)

T<sub>A</sub> = 25°C, AVCC\_R = AVCC\_L = VCCA = AVDD = +3.3V, DVDD = +1.2V, fs = 48kHz, HW mode 3

Parameter	Min	Typ	Max	Unit
Resolution		32		Bit
Max MCLK frequency			50	MHz
THD+N Ratio @ fs=48kHz, BW=20Hz-20kHz (differential) 8 Channel		-120		dB
THD+N Ratio @ fs=48kHz, BW=20Hz-20kHz (differential) Mono		-122		dB
DNR (A-weighted) 8 Channel mode – Single channel diff	-60dBFS	132		dB
DNR (A-weighted) (Stereo mode – 4 channel sum diff)		137		dB
DNR (A-weighted) (Mono mode – 8 channel sum diff)		140		dB
Voltage output amplitude	Full-scale out	0.889 x AVCC		V <sub>pp</sub>
Voltage output offset	Bipolar zero out	AVCC/2		V
Current output amplitude	Full-scale out	1000 x 0.889 x AVCC / Rdac		mApp
Current output offsets	Bipolar zero out	1000 x (AVCC/2 – V <sub>g</sub> ) / Rdac		mA
Output impedance (Per + or – pin of each differential DAC output pair)	Rdac	195±15%		Ω

Table 8 – Performance data



## Register Overview

### I<sup>2</sup>C Slave Interface (Device Address 0x90, 0x92, 0x94, 0x96)

*This interface contains Read/Write and Read-only registers. A system clock must be present.*

Multi-byte registers must be written from LSB to MSB. Data is latched when MSB is written.

Multi-byte registers must be read from LSB to MSB. Data is latched when LSB is read.

MSB is always stored in the highest register address.

#### **Read/Write Register Addresses**

*Registers 0-130 (0x00 – 0x82) are read/write registers*

#### **Read-only Register Addresses**

*Registers 224 – 249 (0xE0 – 0xF9) are read only registers.*

## Multi-Byte Registers

Multi-byte registers must be written from LSB to MSB. Data is latched when MSB is written.

MSB is always stored in the highest register address.

## I<sup>2</sup>C Slave/Synchronous Slave Interface Timing

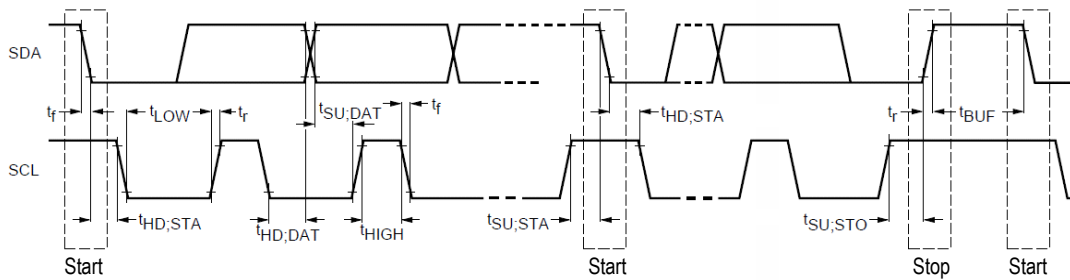


Figure 7 – I2C Slave Control Interface Timing

Parameter	Symbol	CLK Constraint	Standard-Mode		Fast-Mode		Unit
			MIN	MAX	MIN	MAX	
SCL Clock Frequency	$f_{SCL}$	$< CLK/20$	0	100	0	400	kHz
START condition hold time	$t_{HD,STA}$		4.0	-	0.6	-	$\mu s$
LOW period of SCL	$t_{LOW}$	$>10/CLK$	4.7	-	1.3	-	$\mu s$
HIGH period of SCL ( $>10/CLK$ )	$t_{HIGH}$	$>10/CLK$	4.0	-	0.6	-	$\mu s$
START condition setup time (repeat)	$t_{SU,STA}$		4.7	-	0.6	-	$\mu s$
SDA hold time from SCL falling - All except NACK read - NACK read only	$t_{HD,DAT}$		0 2/CLK	-	0 2/CLK	-	$\mu s$ s
SDA setup time from SCL rising	$t_{SU,DAT}$		250	-	100	-	ns
Rise time of SDA and SCL	$t_r$		-	1000		300	ns
Fall time of SDA and SCL	$t_f$		-	300		300	ns
STOP condition setup time	$t_{SU,STO}$		4	-	0.6	-	$\mu s$
Bus free time between transmissions	$t_{BUF}$		4.7	-	1.3	-	$\mu s$
Capacitive load for each bus line	$C_b$		-	400	-	400	pF

Table 9 – I2C slave/synchronous slave interface timing definitions

## Single Byte R/W

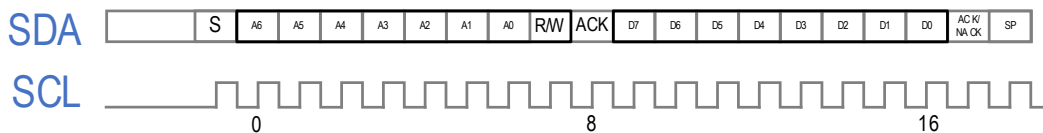


Figure 8 – I2C single byte R/W



### SPI Slave Interface

The SPI slave interface is used when the MODE pin (pin 23) is pulled high.

- The SPI Slave interface can be accessed using the Pins 21,16,30,31
  - Pin 21 MOSI
  - Pin 22 SCLK
  - Pin 40 SS
  - Pin 41 MISO

The 4-wire SPI data format is: Command (1 byte) + Address (1 byte) + Data

#### Single byte Write

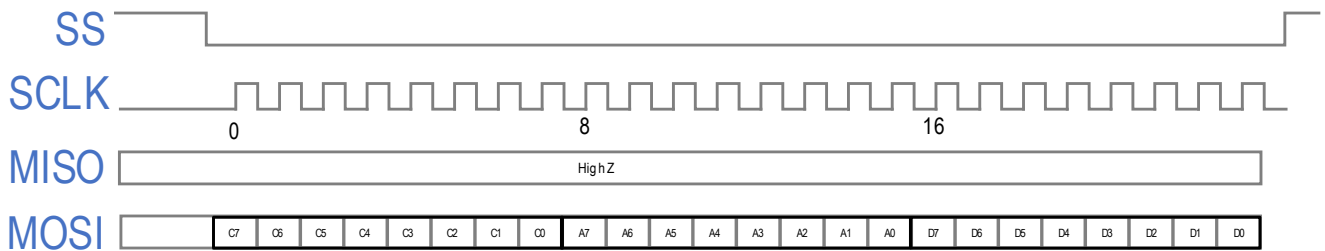


Figure 9 – SPI single byte write

#### Single byte Read

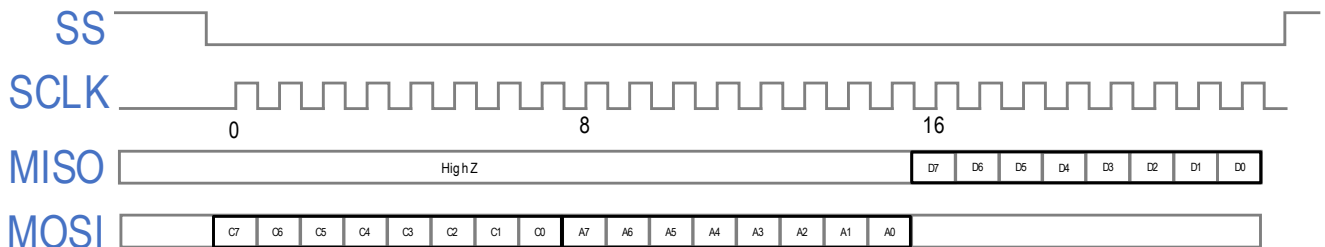


Figure 10 – SPI single byte Read

#### Multi-byte Read

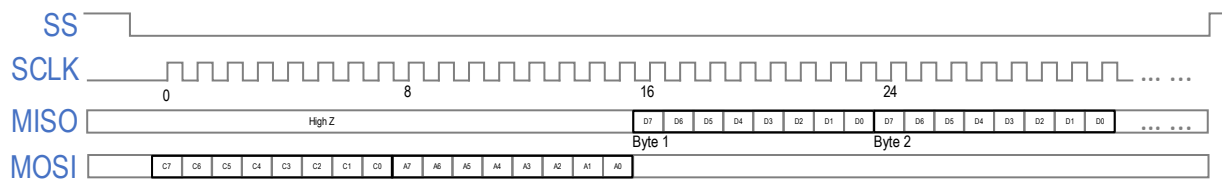


Figure 11 – SPI multi-byte read

# ES9039MPRO & ES9039PRO Datasheet



## Register Map

Addr (Hex)	Addr (Dec)	Register	7	6	5	4	3	2	1	0		
0x00	0	SYSTEM CONFIG	SOFT_RESET	ENABLE_2X_MODE	CH78_SEL		CH56_SEL	CH34_SEL	DAC_MODE_REG	RESERVED		
0x01	1	SYS MODE CONFIG	ENABLE_DAC	SYNC_MODE	RESERVED		ENABLE_SPDIF_DECODE	ENABLE_DOP_DECODE	ENABLE_DSD_DECODE	ENABLE_TDM_DECODE		
0x02	2	RESERVED	RESERVED									
0x03	3	DAC CLOCK CONFIG	AUTO_FS_DETECT	SELECT_IDAC_HALF	SELECT_IDAC_NUM							
0x04	4	CLOCK CONFIG	MASTER_BCK_DIV									
0x05	5	CLK GEAR SELECT	RESERVED		SEL_CLK_GEAR		RESERVED	AUTO_CLK_GEAR	RESERVED			
0x06 - 0x09	6 - 9	RESERVED	RESERVED									
0x0A	10	INTERRUPT VOL MIN MASK P	VOL_MIN_CH8_MASKP	VOL_MIN_CH7_MASKP	VOL_MIN_CH6_MASKP	VOL_MIN_CH5_MASKP	VOL_MIN_CH4_MASKP	VOL_MIN_CH3_MASKP	VOL_MIN_CH2_MASKP	VOL_MIN_CH1_MASKP		
0x0B	11	INTERRUPT AUTOMUTE MASKP	AUTOMUTE_FLAG_CH8_MASKP	AUTOMUTE_FLAG_CH7_MASKP	AUTOMUTE_FLAG_CH6_MASKP	AUTOMUTE_FLAG_CH5_MASKP	AUTOMUTE_FLAG_CH4_MASKP	AUTOMUTE_FLAG_CH3_MASKP	AUTOMUTE_FLAG_CH2_MASKP	AUTOMUTE_FLAG_CH1_MASKP		
0x0C	12	SS FULL RAMP MASKP	SS_FULL_RAMP_CH8_MASKP	SS_FULL_RAMP_CH7_MASKP	SS_FULL_RAMP_CH6_MASKP	SS_FULL_RAMP_CH5_MASKP	SS_FULL_RAMP_CH4_MASKP	SS_FULL_RAMP_CH3_MASKP	SS_FULL_RAMP_CH2_MASKP	SS_FULL_RAMP_CH1_MASKP		
0x0D	13	INTERRUPT MASKP	INPUT_SELECT_OVERRIDE_MASKP		TDM_VALID_EDGE_MASKP	RESERVED			BCK_WS_FAIL_MASKP	DOP_VALID_MASKP		
0x0E	14	INTERRUPT MASKP	RESERVED									
0x0F	15	INTERRUPT VOL MIN MASKN	VOL_MIN_CH8_MASKN	VOL_MIN_CH7_MASKN	VOL_MIN_CH6_MASKN	VOL_MIN_CH5_MASKN	VOL_MIN_CH4_MASKN	VOL_MIN_CH3_MASKN	VOL_MIN_CH2_MASKN	VOL_MIN_CH1_MASKN		
0x10	16	INTERRUPT AUTOMUTE MASKN	AUTOMUTE_FLAG_CH8_MASKN	AUTOMUTE_FLAG_CH7_MASKN	AUTOMUTE_FLAG_CH6_MASKN	AUTOMUTE_FLAG_CH5_MASKN	AUTOMUTE_FLAG_CH4_MASKN	AUTOMUTE_FLAG_CH3_MASKN	AUTOMUTE_FLAG_CH2_MASKN	AUTOMUTE_FLAG_CH1_MASKN		
0x11	17	INTERRUPT SS FULL RAMP MASKN	SS_FULL_RAMP_CH8_MASKN	SS_FULL_RAMP_CH7_MASKN	SS_FULL_RAMP_CH6_MASKN	SS_FULL_RAMP_CH5_MASKN	SS_FULL_RAMP_CH4_MASKN	SS_FULL_RAMP_CH3_MASKN	SS_FULL_RAMP_CH2_MASKN	SS_FULL_RAMP_CH1_MASKN		
0x12	18	INTERRUPT MASKN	INPUT_SELECT_OVERRIDE_MASKN		TDM_VALID_EDGE_MASKN	RESERVED			BCK_WS_FAIL_MASKN	DOP_VALID_MASKN		
0x13	19	INTERRUPT MASKN	RESERVED									
0x14	20	INTERRUPT VOL MIN CLEAR	VOL_MIN_CH8_CLEAR	VOL_MIN_CH7_CLEAR	VOL_MIN_CH6_CLEAR	VOL_MIN_CH5_CLEAR	VOL_MIN_CH4_CLEAR	VOL_MIN_CH3_CLEAR	VOL_MIN_CH2_CLEAR	VOL_MIN_CH1_CLEAR		
0x15	21	INTERRUPT AUTOMUTE CLEAR	AUTOMUTE_FLAG_CH8_CLEAR	AUTOMUTE_FLAG_CH7_CLEAR	AUTOMUTE_FLAG_CH6_CLEAR	AUTOMUTE_FLAG_CH5_CLEAR	AUTOMUTE_FLAG_CH4_CLEAR	AUTOMUTE_FLAG_CH3_CLEAR	AUTOMUTE_FLAG_CH2_CLEAR	AUTOMUTE_FLAG_CH1_CLEAR		
0x16	22	INTERRUPT SS FULL RAMP CLEAR	SS_FULL_RAMP_CH8_CLEAR	SS_FULL_RAMP_CH7_CLEAR	SS_FULL_RAMP_CH6_CLEAR	SS_FULL_RAMP_CH5_CLEAR	SS_FULL_RAMP_CH4_CLEAR	SS_FULL_RAMP_CH3_CLEAR	SS_FULL_RAMP_CH2_CLEAR	SS_FULL_RAMP_CH1_CLEAR		
0x17	23	INTERRUPT CLEAR	INPUT_SELECT_OVERRIDE_CLEAR		TDM_VALID_EDGE_CLEAR	RESERVED			BCK_WS_FAIL_CLEAR	DOP_VALID_CLEAR		
0x18	24	INTERRUPT CLEAR	RESERVED									
0x19	25	RESERVED	RESERVED									
0x1A	26	DPLL BW	RESERVED									
0x1B	27	DPLL BW	RESERVED									
0x1C	28	DPLL BW	RESERVED									
0x1D	29	DPLL BW	DPLL_BW				RESERVED					
0x1E - 0x24	30 - 36	RESERVED	RESERVED									
0x25	37	GPIO1/2 CONFIG	GPIO2_CFG				GPIO1_CFG					
0x26	38	GPIO3/4 CONFIG	GPIO4_CFG				GPIO3_CFG					
0x27	39	GPIO5/6 CONFIG	GPIO6_CFG				GPIO5_CFG					
0x28	40	GPIO7/8 CONFIG	GPIO8_CFG				GPIO7_CFG					
0x29	41	GPIO OUTPUT ENABLE	GPIO8_OE	GPIO7_OE	GPIO6_OE	GPIO5_OE	GPIO4_OE	GPIO3_OE	GPIO2_OE	GPIO1_OE		
0x2A	42	GPIO INPUT	GPIO8_SDB	GPIO7_SDB	GPIO6_SDB	GPIO5_SDB	GPIO4_SDB	GPIO3_SDB	GPIO2_SDB	GPIO1_SDB		
0x2B	43	GPIO WK EN	GPIO8_WK_EN	GPIO7_WK_EN	GPIO6_WK_EN	GPIO5_WK_EN	GPIO4_WK_EN	GPIO3_WK_EN	GPIO2_WK_EN	GPIO1_WK_EN		
0x2C	44	INVERT GPIO	INVERT_GPIO8	INVERT_GPIO7	INVERT_GPIO6	INVERT_GPIO5	INVERT_GPIO4	INVERT_GPIO3	INVERT_GPIO2	INVERT_GPIO1		
0x2D	45	GPIO READ	GPIO8_READ	GPIO7_READ	GPIO6_READ	GPIO5_READ	GPIO4_READ	GPIO3_READ	GPIO2_READ	GPIO1_READ		
0x2E	46	GPIO OUTPUT LOGIC	GPIO_SEL		GPIO_OR_SS_RAMP	GPIO_OR_VOL_MIN	GPIO_OR_AUTOMUTE	GPIO_AND_SS_RAMP	GPIO_AND_VOL_MIN	GPIO_AND_AUTOMUTE		
0x2F	47	GPIO OUTPUT LOGIC	GPIO_DAC_MODE	RESERVED						GPIO_SEL		
0x30	48	PWM1 COUNT	PWM1_COUNT									
0x31	49	PWM1 FREQUENCY	PWM1_FREQ									
0x32	50	PWM1 FREQUENCY	PWM1_FREQ									
0x33	51	PWM2 COUNT	PWM2_COUNT									
0x34	52	PWM2 FREQUENCY	PWM2_FREQ									
0x35	53	PWM2 FREQUENCY	PWM2_FREQ									
0x36	54	PWM3 COUNT	PWM3_COUNT									
0x37	55	PWM3 FREQUENCY	PWM3_FREQ									
0x38	56	PWM3 FREQUENCY	PWM3_FREQ									
0x39	57	INPUT SELECTION	AUTO_CH_DETECT	ENABLE_DSD_FAULT_DETECTION	DSD_MASTER_MODE	PCM_MASTER_MODE	RESERVED	INPUT_SEL		AUTO_INPUT_SEL		
0x3A	58	SERIAL MASTER ENCODER CONFIG	TDM_RESYNC	BCK_INV	RESERVED	MASTER_FRAME_LENGTH		MASTER_WS_PULSE_MODE	MASTER_WS_INVERT	MASTER_BCK_INVERT		
0x3B	59	TDM CONFIG	RESERVED				TDM_CH_NUM					
0x3C	60	TDM CONFIG1	TDM_LJ_MODE	TDM_VALID_EDGE	RESERVED							
0x3D	61	TDM CONFIG2	RESERVED	TDM_BIT_WIDTH			TDM_DATA_LATCH_ADJ					



# ES9039MPRO & ES9039PRO Product Brief

0x3E	62	BCK/WS MONITOR CONFIG	DISABLE_DSD_DC	DISABLE_DSD_MUTE	ENABLE_WS_MONITOR	ENABLE_BCK_MONITOR	DISABLE_PCM_DC	RESERVED					
0x3F	63	RESERVED	RESERVED										
0x40	64	TDM CH1 CONFIG	RESERVED	TDM_CH1_LINE_SEL				TDM_CH1_SLOT_SEL					
0x41	65	TDM CH2 CONFIG	RESERVED	TDM_CH2_LINE_SEL				TDM_CH2_SLOT_SEL					
0x42	66	TDM CH3 CONFIG	RESERVED	TDM_CH3_LINE_SEL				TDM_CH3_SLOT_SEL					
0x43	67	TDM CH4 CONFIG	RESERVED	TDM_CH4_LINE_SEL				TDM_CH4_SLOT_SEL					
0x44	68	TDM CH5 CONFIG	RESERVED	TDM_CH5_LINE_SEL				TDM_CH5_SLOT_SEL					
0x45	69	TDM CH6 CONFIG	RESERVED	TDM_CH6_LINE_SEL				TDM_CH6_SLOT_SEL					
0x46	70	TDM CH7 CONFIG	RESERVED	TDM_CH7_LINE_SEL				TDM_CH7_SLOT_SEL					
0x47	71	TDM CH8 CONFIG	RESERVED	TDM_CH8_LINE_SEL				TDM_CH8_SLOT_SEL					
0x48 - 0x49	72 - 73	RESERVED	RESERVED										
0x4A	74	VOLUME1	VOLUME1										
0x4B	75	VOLUME2	VOLUME2										
0x4C	76	VOLUME3	VOLUME3										
0x4D	77	VOLUME4	VOLUME4										
0x4E	78	VOLUME5	VOLUME5										
0x4F	79	VOLUME6	VOLUME6										
0x50	80	VOLUME7	VOLUME7										
0x51	81	VOLUME8	VOLUME8										
0x52	82	DAC VOL UP RATE	DAC_VOL_RATE_UP										
0x53	83	DAC VOL DOWN RATE	DAC_VOL_RATE_DOWN										
0x54	84	DAC VOL DOWN RATE FAST	DAC_VOL_RATE_FAST										
0x55	85	RESERVED	RESERVED										
0x56	86	DAC MUTE	DAC_MUTE_CH8	DAC_MUTE_CH7	DAC_MUTE_CH6	DAC_MUTE_CH5	DAC_MUTE_CH4	DAC_MUTE_CH3	DAC_MUTE_CH2	DAC_MUTE_CH1			
0x57	87	DAC INVERT	DAC_INVERT_CH8	DAC_INVERT_CH7	DAC_INVERT_CH6	DAC_INVERT_CH5	DAC_INVERT_CH4	DAC_INVERT_CH3	DAC_INVERT_CH2	DAC_INVERT_CH1			
0x58	88	FILTER SHAPE	RESERVED				FILTER SHAPE						
0x59	89	S/PDIF PIN SELECT	SPDIF_SEL				VOLUME_HOLD		IIR_BW				
0x5A	90	DAC PATH CONFIG	RESERVED								BYPASS_IIR	BYPASS_FIR4X	BYPASS_FIR2X
0x5B	91	THD_C2_L									THD_C2_0		
0x5C	92	THD_C2_L									THD_C2_0		
0x5D	93	THD_C2_L									THD_C2_1		
0x5E	94	THD_C2_L									THD_C2_1		
0x5F	95	THD_C2_L									THD_C2_2		
0x60	96	THD_C2_L									THD_C2_2		
0x61	97	THD_C2_L									THD_C2_3		
0x62	98	THD_C2_L									THD_C2_3		
0x63	99	THD_C2_H									THD_C2_4		
0x64	100	THD_C2_H									THD_C2_4		
0x65	101	THD_C2_H									THD_C2_5		
0x66	102	THD_C2_H									THD_C2_5		
0x67	103	THD_C2_H									THD_C2_6		
0x68	104	THD_C2_H									THD_C2_6		
0x69	105	THD_C2_H									THD_C2_7		
0x6A	106	THD_C2_H									THD_C2_7		
0x6B	107	THD_C3_L									THD_C3_0		
0x6C	108	THD_C3_L									THD_C3_0		
0x6D	109	THD_C3_L									THD_C3_1		
0x6E	110	THD_C3_L									THD_C3_1		
0x6F	111	THD_C3_L									THD_C3_2		
0x70	112	THD_C3_L									THD_C3_2		
0x71	113	THD_C3_L									THD_C3_3		
0x72	114	THD_C3_L									THD_C3_3		
0x73	115	THD_C3_H									THD_C3_4		
0x74	116	THD_C3_H									THD_C3_4		
0x75	117	THD_C3_H									THD_C3_5		
0x76	118	THD_C3_H									THD_C3_5		
0x77	119	THD_C3_H									THD_C3_6		
0x78	120	THD_C3_H									THD_C3_6		
0x79	121	THD_C3_H									THD_C3_7		
0x7A	122	THD_C3_H									THD_C3_7		
0x7B	123	AUTOMUTE ENABLE	AUTOMUTE_EN_CH8	AUTOMUTE_EN_CH7	AUTOMUTE_EN_CH6	AUTOMUTE_EN_CH5	AUTOMUTE_EN_CH4	AUTOMUTE_EN_CH3	AUTOMUTE_EN_CH2	AUTOMUTE_EN_CH1			
0x7C	124	AUTOMUTE TIME	AUTOMUTE_TIME										
0x7D	125	AUTOMUTE TIME	RESERVED				AUTOMUTE_RAMP_TO_GROUND		AUTOMUTE_TIME				
0x7E	126	AUTOMUTE LEVEL	AUTOMUTE_LEVEL										
0x7F	127	AUTOMUTE LEVEL	AUTOMUTE_LEVEL										
0x80	128	AUTOMUTE OFF LEVEL	AUTOMUTE_OFF_LEVEL										
0x81	129	AUTOMUTE OFF LEVEL	AUTOMUTE_OFF_LEVEL										
0x82	130	SOFT RAMP CONFIG	RESERVED				SOFT_RAMP_TIME						
0x83 - 0x86	131 - 134	RESERVED	RESERVED										
0x87	135	PROGRAM RAM CONTROL	RESERVED						PROG_ICOEFF_WE	PROG_COEFF_EN			
0x88	136	RESERVED	RESERVED										
0x89	137	PROGRAM RAM ADDRESS	PROG_COEFF_STAGE	PROG_COEFF_ADDR									
0x8A	138	PROGRAM RAM DATA	PROG_COEFF_IN										
0x8B	139	PROGRAM RAM DATA	PROG_COEFF_IN										
0x8C	140	PROGRAM RAM DATA	PROG_COEFF_IN										
0x8D	141	MQA CONFIG (ES9039MPRO only)	RESERVED					MQB_READER_ENABLE		MQA_RENDERING_ENABLE			

# ES9039MPRO & ES9039PRO Datasheet



0x8E - 0x91	142 - 145	RESERVED	RESERVED							
0xE0	224	SYS READ	RESERVED				MODES	ADDR1	ADDR0	
0xE1	225	CHIP ID READ	CHIP_ID							
0xE2 - 0xE4	226 - 228	RESERVED	RESERVED							
0xE5	229	INTERRUPT STATE	VOL_MIN_STATE							
0xE6	230	INTERRUPT STATE	AUTOMUTE_STATE							
0xE7	231	INTERRUPT STATE	SS_FULL_RAMP_STATE							
0xE8	232	INTERRUPT STATE	INPUT_SELECT_OVERRIDE_STATE	TDM_DATA_VALID_STATE	RESERVED			BCK_WS_FAIL_STATE	DOP_VALID_STATE	
0xE9	233	INTERRUPT STATE	RESERVED							
0xEA	234	INTERRUPT SOURCE	VOL_MIN_SOURCE							
0xEB	235	INTERRUPT SOURCE	AUTOMUTE_SOURCE							
0xEC	236	INTERRUPT SOURCE	SS_FULL_RAMP_SOURCE							
0xED	237	INTERRUPT SOURCE	INPUT_SELECT_OVERRIDE_SOURCE	TDM_DATA_VALID_SOURCE	RESERVED			BCK_WS_FAIL_SOURCE	DOP_VALID_SOURCE	
0xEE	238	INTERRUPT SOURCE	RESERVED							
0xEF	239	RATIO VALID READ	RATIO_VALID	RESERVED						
0xF0	240	GPIO READ	GPIO8_I_READ	GPIO7_I_READ	GPIO6_I_READ	GPIO5_I_READ	GPIO4_I_READ	GPIO3_I_READ	GPIO2_I_READ	GPIO1_I_READ
0xF1	241	VOL MIN READ	VOL_MIN_CH8	VOL_MIN_CH7	VOL_MIN_CH6	VOL_MIN_CH5	VOL_MIN_CH4	VOL_MIN_CH3	VOL_MIN_CH2	VOL_MIN_CH1
0xF2	242	AUTOMUTE READ	AUTOMUTE_CH8	AUTOMUTE_CH7	AUTOMUTE_CH6	AUTOMUTE_CH5	AUTOMUTE_CH4	AUTOMUTE_CH3	AUTOMUTE_CH2	AUTOMUTE_CH1
0xF3	243	SOFT RAMP UP READ	SS_RAMP_UP_CH8	SS_RAMP_UP_CH7	SS_RAMP_UP_CH6	SS_RAMP_UP_CH5	SS_RAMP_UP_CH4	SS_RAMP_UP_CH3	SS_RAMP_UP_CH2	SS_RAMP_UP_CH1
0xF4	244	SOFT RAMP DOWN READ	SS_RAMP_DOWN_CH8	SS_RAMP_DOWN_CH7	SS_RAMP_DOWN_CH6	SS_RAMP_DOWN_CH5	SS_RAMP_DOWN_CH4	SS_RAMP_DOWN_CH3	SS_RAMP_DOWN_CH2	SS_RAMP_DOWN_CH1
0xF5	245	SPDIF, TDM, DOP, AND INPUT READBACK	SPDIF_VALID	TDM_DATA_VALID	DOP_VALID			INPUT_SELECT_OVERRIDE		
0xF6	246	PROG COEFF OUT READ	PROG_COEFF_OUT							
0xF7	247	PROG COEFF OUT READ	PROG_COEFF_OUT							
0xF8	248	PROG COEFF OUT READ	PROG_COEFF_OUT							
0xF9 - 0xFB	249 - 251	RESERVED	RESERVED							



## Register Listings

Some reserved registers values might be asserted in default mode. This is normal and does not need to be changed.

### System Registers

#### Register 0: SYSTEM CONFIG

Bits	[7]	[6]	[5:4]	[3]	[2]	[1]	[0]
Default	1'b0	1'b0	2'b00	1'b0	1'b0	1'b0	1'b0

Bits	Mnemonic	Description
[7]	SOFT_RESET	Performs soft reset to digital core. <ul style="list-style-type: none"> <li>1'b0: Normal operation</li> <li>1'b1: Reset digital core (all settings are set to default)</li> </ul>
[6]	ENABLE_64FS_MODE	Enables 64FS mode to run the DAC interpolation path at 64FS. <ul style="list-style-type: none"> <li>1'b0: 64FS mode disabled (default)</li> <li>1'b1: 64FS mode enabled</li> </ul> Note: This mode should be used for high sample rate (i.e., 705.6/768kHz)
[5:4]	CH78_SEL	Selects ch7/8 nsmod input. <ul style="list-style-type: none"> <li>2'b00: Input from ch7/8 interpolation path (default)</li> <li>2'b01: Input from ch5/6 interpolation path</li> <li>2'b10: Input from ch1/2 interpolation path</li> <li>2'b11: Reserved</li> </ul>
[3]	CH56_SEL	Selects ch5/6 nsmod input. <ul style="list-style-type: none"> <li>1'b0: Input from ch5/6 interpolation path (default)</li> <li>1'b1: Input from ch1/2 interpolation path</li> </ul>
[2]	CH34_SEL	Selects ch3/4 nsmod input. <ul style="list-style-type: none"> <li>1'b0: Input from ch3/4 interpolation path (default)</li> <li>1'b1: Input from ch1/2 interpolation path</li> </ul>
[1]	DAC_MODE_REG	Enables DAC data path <ul style="list-style-type: none"> <li>1'b0: DAC disabled</li> <li>1'b1: DAC enabled</li> </ul>
[0]	RESERVED	NA



## ES9039MPRO &amp; ES9039PRO Datasheet



## Register 1: SYS MODE CONFIG

Bits	[7]	[6]	[5:4]	[3]	[2]	[1]	[0]
Default	1'b1	1'b0	2'b11	1'b0	1'b0	1'b0	1'b1

Bits	Mnemonic	Description
[7]	ENABLE_DAC_CLK	Enables DAC interpolation path clock. <ul style="list-style-type: none"> <li>1'b0: Clock disabled</li> <li>1'b1: Clock enabled (default)</li> </ul>
[6]	SYNC_MODE	Enables SYNC mode <ul style="list-style-type: none"> <li>1'b0: ASYNC mode enabled (default)</li> <li>1'b1: SYNC mode enabled</li> </ul>
[5:4]	RESERVED	NA
[3]	ENABLE_SPDIF_DECODE	Enables S/PDIF decoding. <ul style="list-style-type: none"> <li>1'b0: Disabled (default)</li> <li>1'b1: Enabled</li> </ul>
[2]	ENABLE_DOP_DECODE	Enables DoP decoding. <ul style="list-style-type: none"> <li>1'b0: Disabled (default)</li> <li>1'b1: Enabled</li> </ul>
[1]	ENABLE_DSD_DECODE	Enables DSD decoding. <ul style="list-style-type: none"> <li>1'b0: Disabled (default)</li> <li>1'b1: Enabled</li> </ul>
[0]	ENABLE_TDM_DECODE	Enables TDM decoding. <ul style="list-style-type: none"> <li>1'b0: Disabled (default)</li> <li>1'b1: Enabled</li> </ul>

## Register 2: RESERVED

## Register 3: DAC CLOCK CONFIG

Bits	[7]	[6]	[5:0]
Default	1'b1	1'b0	6'd0

Bits	Mnemonic	Description
[7]	AUTO_FS_DETECT	<ul style="list-style-type: none"> <li>1'b0: Disabled</li> <li>1'b1: Auto tune CLK_DAC/CLK_IDAC ratio according to detected FS (default)</li> </ul> <p>Note: Cannot be used in ASYNC mode</p>
[6]	SELECT_IDAC_HALF	<ul style="list-style-type: none"> <li>1'b0: Divide by SELECT_IDAC_NUM + 1 (default)</li> <li>1'b1: Divide by half of SELECT_IDAC_NUM + 1</li> </ul> <p>Note: Can only produce half of an odd number divide</p>
[5:0]	SELECT_IDAC_NUM	CLK_IDAC divider. Whole number divide value + 1 for CLK_IDAC (SYS_CLK/divide_value). <ul style="list-style-type: none"> <li>6'd0: Whole number divide value + 1 = 1</li> <li>6'd1: Whole number divide value + 1 = 2</li> <li>6'd63: Whole number divide value + 1 = 64</li> </ul>



## ES9039MPRO & ES9039PRO Product Brief

### Register 4: CLOCK CONFIG

Bits	[7:0]
Default	8'd7

Bits	Mnemonic	Description
[7:0]	MASTER_BCK_DIV	Master mode clock divider. Whole number divide value + 1 for CLK_Master (SYS_CLK/divide_value).

### Register 5: CLK GEAR SELECT

Bits	[7:6]	[5:4]	[3]	[2]	[1:0]
Default	2'b00	2'd0	1'b0	1'b0	2'b00

Bits	Mnemonic	Description
[7:6]	RESERVED	NA
[5:4]	SEL_CLK_GEAR	Clock Gearing <ul style="list-style-type: none"> <li>• 2'd0: SYS_CLK/1</li> <li>• 2'd1: SYS_CLK/2</li> <li>• 2'd2: SYS_CLK/4</li> <li>• 2'd3: SYS_CLK/8</li> </ul>
[3]	RESERVED	NA
[2]	AUTO_CLK_GEAR	<ul style="list-style-type: none"> <li>• 1'b0: Disable automatic clock gearing. SYS_CLK = SEL_CLK_GEAR</li> <li>• 1'b1: Enable automatic clock gearing. SYS_CLK will increase up to SEL_CLK_GEAR</li> </ul>
[1:0]	RESERVED	NA

### Register 9-7: RESERVED

## ES9039MPRO &amp; ES9039PRO Datasheet



Register 10: INTERRUPT VOL MIN MASK P

Bits	[7]	[6]	[5]	[4]	[3]	[2]	[1]	[0]
Default	1'b0	1'b0	1'b0	1'b0	1'b0	1'b0	1'b0	1'b0

Bits	Mnemonic	Description
[7]	VOL_MIN_CH8_MASKP	Masks negative to positive interrupt toggling. <ul style="list-style-type: none"> <li>1'b0: Ignore interrupt if toggled from negative to positive</li> <li>1'b1: Service interrupt if toggled from negative to positive</li> </ul>
[6]	VOL_MIN_CH7_MASKP	Masks negative to positive interrupt toggling. <ul style="list-style-type: none"> <li>1'b0: Ignore interrupt if toggled from negative to positive</li> <li>1'b1: Service interrupt if toggled from negative to positive</li> </ul>
[5]	VOL_MIN_CH6_MASKP	Masks negative to positive interrupt toggling. <ul style="list-style-type: none"> <li>1'b0: Ignore interrupt if toggled from negative to positive</li> <li>1'b1: Service interrupt if toggled from negative to positive</li> </ul>
[4]	VOL_MIN_CH5_MASKP	Masks negative to positive interrupt toggling. <ul style="list-style-type: none"> <li>1'b0: Ignore interrupt if toggled from negative to positive</li> <li>1'b1: Service interrupt if toggled from negative to positive</li> </ul>
[3]	VOL_MIN_CH4_MASKP	Masks negative to positive interrupt toggling. <ul style="list-style-type: none"> <li>1'b0: Ignore interrupt if toggled from negative to positive</li> <li>1'b1: Service interrupt if toggled from negative to positive</li> </ul>
[2]	VOL_MIN_CH3_MASKP	Masks negative to positive interrupt toggling. <ul style="list-style-type: none"> <li>1'b0: Ignore interrupt if toggled from negative to positive</li> <li>1'b1: Service interrupt if toggled from negative to positive</li> </ul>
[1]	VOL_MIN_CH2_MASKP	Masks negative to positive interrupt toggling. <ul style="list-style-type: none"> <li>1'b0: Ignore interrupt if toggled from negative to positive</li> <li>1'b1: Service interrupt if toggled from negative to positive</li> </ul>
[0]	VOL_MIN_CH1_MASKP	Masks negative to positive interrupt toggling. <ul style="list-style-type: none"> <li>1'b0: Ignore interrupt if toggled from negative to positive</li> <li>1'b1: Service interrupt if toggled from negative to positive</li> </ul>



## ES9039MPRO & ES9039PRO Product Brief

**Register 11: INTERRUPT AUTOMUTE MASKP**

Bits	[7]	[6]	[5]	[4]	[3]	[2]	[1]	[0]
Default	1'b0	1'b0	1'b0	1'b0	1'b0	1'b0	1'b0	1'b0

Bits	Mnemonic	Description
[7]	AUTOMUTE_FLAG_CH8_MASKP	Masks negative to positive interrupt toggling. <ul style="list-style-type: none"> <li>• 1'b0: Ignore interrupt if toggled from negative to positive</li> <li>• 1'b1: Service interrupt if toggled from negative to positive</li> </ul>
[6]	AUTOMUTE_FLAG_CH7_MASKP	Masks negative to positive interrupt toggling. <ul style="list-style-type: none"> <li>• 1'b0: Ignore interrupt if toggled from negative to positive</li> <li>• 1'b1: Service interrupt if toggled from negative to positive</li> </ul>
[5]	AUTOMUTE_FLAG_CH6_MASKP	Masks negative to positive interrupt toggling. <ul style="list-style-type: none"> <li>• 1'b0: Ignore interrupt if toggled from negative to positive</li> <li>• 1'b1: Service interrupt if toggled from negative to positive</li> </ul>
[4]	AUTOMUTE_FLAG_CH5_MASKP	Masks negative to positive interrupt toggling. <ul style="list-style-type: none"> <li>• 1'b0: Ignore interrupt if toggled from negative to positive</li> <li>• 1'b1: Service interrupt if toggled from negative to positive</li> </ul>
[3]	AUTOMUTE_FLAG_CH4_MASKP	Masks negative to positive interrupt toggling. <ul style="list-style-type: none"> <li>• 1'b0: Ignore interrupt if toggled from negative to positive</li> <li>• 1'b1: Service interrupt if toggled from negative to positive</li> </ul>
[2]	AUTOMUTE_FLAG_CH3_MASKP	Masks negative to positive interrupt toggling. <ul style="list-style-type: none"> <li>• 1'b0: Ignore interrupt if toggled from negative to positive</li> <li>• 1'b1: Service interrupt if toggled from negative to positive</li> </ul>
[1]	AUTOMUTE_FLAG_CH2_MASKP	Masks negative to positive interrupt toggling. <ul style="list-style-type: none"> <li>• 1'b0: Ignore interrupt if toggled from negative to positive</li> <li>• 1'b1: Service interrupt if toggled from negative to positive</li> </ul>
[0]	AUTOMUTE_FLAG_CH1_MASKP	Masks negative to positive interrupt toggling. <ul style="list-style-type: none"> <li>• 1'b0: Ignore interrupt if toggled from negative to positive</li> <li>• 1'b1: Service interrupt if toggled from negative to positive</li> </ul>

## ES9039MPRO &amp; ES9039PRO Datasheet



## Register 12: SS FULL RAMP MASKP

Bits	[7]	[6]	[5]	[4]	[3]	[2]	[1]	[0]
Default	1'b0	1'b0	1'b0	1'b0	1'b0	1'b0	1'b0	1'b0

Bits	Mnemonic	Description
[7]	SS_FULL_RAMP_CH8_MASKP	Masks negative to positive interrupt toggling. <ul style="list-style-type: none"> <li>1'b0: Ignore interrupt if toggled from negative to positive</li> <li>1'b1: Service interrupt if toggled from negative to positive</li> </ul>
[6]	SS_FULL_RAMP_CH7_MASKP	Masks negative to positive interrupt toggling. <ul style="list-style-type: none"> <li>1'b0: Ignore interrupt if toggled from negative to positive</li> <li>1'b1: Service interrupt if toggled from negative to positive</li> </ul>
[5]	SS_FULL_RAMP_CH6_MASKP	Masks negative to positive interrupt toggling. <ul style="list-style-type: none"> <li>1'b0: Ignore interrupt if toggled from negative to positive</li> <li>1'b1: Service interrupt if toggled from negative to positive</li> </ul>
[4]	SS_FULL_RAMP_CH5_MASKP	Masks negative to positive interrupt toggling. <ul style="list-style-type: none"> <li>1'b0: Ignore interrupt if toggled from negative to positive</li> <li>1'b1: Service interrupt if toggled from negative to positive</li> </ul>
[3]	SS_FULL_RAMP_CH4_MASKP	Masks negative to positive interrupt toggling. <ul style="list-style-type: none"> <li>1'b0: Ignore interrupt if toggled from negative to positive</li> <li>1'b1: Service interrupt if toggled from negative to positive</li> </ul>
[2]	SS_FULL_RAMP_CH3_MASKP	Masks negative to positive interrupt toggling. <ul style="list-style-type: none"> <li>1'b0: Ignore interrupt if toggled from negative to positive</li> <li>1'b1: Service interrupt if toggled from negative to positive</li> </ul>
[1]	SS_FULL_RAMP_CH2_MASKP	Masks negative to positive interrupt toggling. <ul style="list-style-type: none"> <li>1'b0: Ignore interrupt if toggled from negative to positive</li> <li>1'b1: Service interrupt if toggled from negative to positive</li> </ul>
[0]	SS_FULL_RAMP_CH1_MASKP	Masks negative to positive interrupt toggling. <ul style="list-style-type: none"> <li>1'b0: Ignore interrupt if toggled from negative to positive</li> <li>1'b1: Service interrupt if toggled from negative to positive</li> </ul>



## ES9039MPRO & ES9039PRO Product Brief

### Register 14-13: INTERRUPT MASKP

Bits	[15:8]	[7:6]	[5]	[4:2]	[1]	[0]
Default	8'd0	2'b00	1'b0	3'b000	1'b0	1'b0

Bits	Mnemonic	Description
[15:8]	RESERVED	NA
[7:6]	INPUT_SELECT_OVERRIDE_MASKP	Masks negative to positive interrupt toggling. <ul style="list-style-type: none"> <li>1'b0: Ignore interrupt if toggled from negative to positive</li> <li>1'b1: Service interrupt if toggled from negative to positive</li> </ul>
[5]	TDM_VALID_EDGE_MASKP	Masks negative to positive interrupt toggling. <ul style="list-style-type: none"> <li>1'b0: Ignore interrupt if toggled from negative to positive</li> <li>1'b1: Service interrupt if toggled from negative to positive</li> </ul>
[4:2]	RESERVED	NA
[1]	BCK_WS_FAIL_MASKP	Masks negative to positive interrupt toggling. <ul style="list-style-type: none"> <li>1'b0: Ignore interrupt if toggled from negative to positive</li> <li>1'b1: Service interrupt if toggled from negative to positive</li> </ul>
[0]	DOP_VALID_MASKP	Masks negative to positive interrupt toggling. <ul style="list-style-type: none"> <li>1'b0: Ignore interrupt if toggled from negative to positive</li> <li>1'b1: Service interrupt if toggled from negative to positive</li> </ul>

## ES9039MPRO &amp; ES9039PRO Datasheet



Register 15: INTERRUPT VOL MIN MASKN

Bits	[7]	[6]	[5]	[4]	[3]	[2]	[1]	[0]
Default	1'b0	1'b0	1'b0	1'b0	1'b0	1'b0	1'b0	1'b0

Bits	Mnemonic	Description
[7]	VOL_MIN_CH8_MASKN	Masks positive to negative interrupt toggling. <ul style="list-style-type: none"> <li>1'b0: Ignore interrupt if toggled from positive to negative</li> <li>1'b1: Service interrupt if toggled from positive to negative</li> </ul>
[6]	VOL_MIN_CH7_MASKN	Masks positive to negative interrupt toggling. <ul style="list-style-type: none"> <li>1'b0: Ignore interrupt if toggled from positive to negative</li> <li>1'b1: Service interrupt if toggled from positive to negative</li> </ul>
[5]	VOL_MIN_CH6_MASKN	Masks positive to negative interrupt toggling. <ul style="list-style-type: none"> <li>1'b0: Ignore interrupt if toggled from positive to negative</li> <li>1'b1: Service interrupt if toggled from positive to negative</li> </ul>
[4]	VOL_MIN_CH5_MASKN	Masks positive to negative interrupt toggling. <ul style="list-style-type: none"> <li>1'b0: Ignore interrupt if toggled from positive to negative</li> <li>1'b1: Service interrupt if toggled from positive to negative</li> </ul>
[3]	VOL_MIN_CH4_MASKN	Masks positive to negative interrupt toggling. <ul style="list-style-type: none"> <li>1'b0: Ignore interrupt if toggled from positive to negative</li> <li>1'b1: Service interrupt if toggled from positive to negative</li> </ul>
[2]	VOL_MIN_CH3_MASKN	Masks positive to negative interrupt toggling. <ul style="list-style-type: none"> <li>1'b0: Ignore interrupt if toggled from positive to negative</li> <li>1'b1: Service interrupt if toggled from positive to negative</li> </ul>
[1]	VOL_MIN_CH2_MASKN	Masks positive to negative interrupt toggling. <ul style="list-style-type: none"> <li>1'b0: Ignore interrupt if toggled from positive to negative</li> <li>1'b1: Service interrupt if toggled from positive to negative</li> </ul>
[0]	VOL_MIN_CH1_MASKN	Masks positive to negative interrupt toggling. <ul style="list-style-type: none"> <li>1'b0: Ignore interrupt if toggled from positive to negative</li> <li>1'b1: Service interrupt if toggled from positive to negative</li> </ul>



## ES9039MPRO & ES9039PRO Product Brief

**Register 16: INTERRUPT AUTOMUTE MASKN**

Bits	[7]	[6]	[5]	[4]	[3]	[2]	[1]	[0]
Default	1'b0	1'b0	1'b0	1'b0	1'b0	1'b0	1'b0	1'b0

Bits	Mnemonic	Description
[7]	AUTOMUTE_FLAG_CH8_MASKN	Masks positive to negative interrupt toggling. <ul style="list-style-type: none"> <li>1'b0: Ignore interrupt if toggled from positive to negative</li> <li>1'b1: Service interrupt if toggled from positive to negative</li> </ul>
[6]	AUTOMUTE_FLAG_CH7_MASKN	Masks positive to negative interrupt toggling. <ul style="list-style-type: none"> <li>1'b0: Ignore interrupt if toggled from positive to negative</li> <li>1'b1: Service interrupt if toggled from positive to negative</li> </ul>
[5]	AUTOMUTE_FLAG_CH6_MASKN	Masks positive to negative interrupt toggling. <ul style="list-style-type: none"> <li>1'b0: Ignore interrupt if toggled from positive to negative</li> <li>1'b1: Service interrupt if toggled from positive to negative</li> </ul>
[4]	AUTOMUTE_FLAG_CH5_MASKN	Masks positive to negative interrupt toggling. <ul style="list-style-type: none"> <li>1'b0: Ignore interrupt if toggled from positive to negative</li> <li>1'b1: Service interrupt if toggled from positive to negative</li> </ul>
[3]	AUTOMUTE_FLAG_CH4_MASKN	Masks positive to negative interrupt toggling. <ul style="list-style-type: none"> <li>1'b0: Ignore interrupt if toggled from positive to negative</li> <li>1'b1: Service interrupt if toggled from positive to negative</li> </ul>
[2]	AUTOMUTE_FLAG_CH3_MASKN	Masks positive to negative interrupt toggling. <ul style="list-style-type: none"> <li>1'b0: Ignore interrupt if toggled from positive to negative</li> <li>1'b1: Service interrupt if toggled from positive to negative</li> </ul>
[1]	AUTOMUTE_FLAG_CH2_MASKN	Masks positive to negative interrupt toggling. <ul style="list-style-type: none"> <li>1'b0: Ignore interrupt if toggled from positive to negative</li> <li>1'b1: Service interrupt if toggled from positive to negative</li> </ul>
[0]	AUTOMUTE_FLAG_CH1_MASKN	Masks positive to negative interrupt toggling. <ul style="list-style-type: none"> <li>1'b0: Ignore interrupt if toggled from positive to negative</li> <li>1'b1: Service interrupt if toggled from positive to negative</li> </ul>



## ES9039MPRO &amp; ES9039PRO Datasheet



## Register 17: INTERRUPT SS FULL RAMP MASKN

Bits	[7]	[6]	[5]	[4]	[3]	[2]	[1]	[0]
Default	1'b0	1'b0	1'b0	1'b0	1'b0	1'b0	1'b0	1'b0

Bits	Mnemonic	Description
[7]	SS_FULL_RAMP_CH8_MASKN	Masks positive to negative interrupt toggling. <ul style="list-style-type: none"> <li>1'b0: Ignore interrupt if toggled from positive to negative</li> <li>1'b1: Service interrupt if toggled from positive to negative</li> </ul>
[6]	SS_FULL_RAMP_CH7_MASKN	Masks positive to negative interrupt toggling. <ul style="list-style-type: none"> <li>1'b0: Ignore interrupt if toggled from positive to negative</li> <li>1'b1: Service interrupt if toggled from positive to negative</li> </ul>
[5]	SS_FULL_RAMP_CH6_MASKN	Masks positive to negative interrupt toggling. <ul style="list-style-type: none"> <li>1'b0: Ignore interrupt if toggled from positive to negative</li> <li>1'b1: Service interrupt if toggled from positive to negative</li> </ul>
[4]	SS_FULL_RAMP_CH5_MASKN	Masks positive to negative interrupt toggling. <ul style="list-style-type: none"> <li>1'b0: Ignore interrupt if toggled from positive to negative</li> <li>1'b1: Service interrupt if toggled from positive to negative</li> </ul>
[3]	SS_FULL_RAMP_CH4_MASKN	Masks positive to negative interrupt toggling. <ul style="list-style-type: none"> <li>1'b0: Ignore interrupt if toggled from positive to negative</li> <li>1'b1: Service interrupt if toggled from positive to negative</li> </ul>
[2]	SS_FULL_RAMP_CH3_MASKN	Masks positive to negative interrupt toggling. <ul style="list-style-type: none"> <li>1'b0: Ignore interrupt if toggled from positive to negative</li> <li>1'b1: Service interrupt if toggled from positive to negative</li> </ul>
[1]	SS_FULL_RAMP_CH2_MASKN	Masks positive to negative interrupt toggling. <ul style="list-style-type: none"> <li>1'b0: Ignore interrupt if toggled from positive to negative</li> <li>1'b1: Service interrupt if toggled from positive to negative</li> </ul>
[0]	SS_FULL_RAMP_CH1_MASKN	Masks positive to negative interrupt toggling. <ul style="list-style-type: none"> <li>1'b0: Ignore interrupt if toggled from positive to negative</li> <li>1'b1: Service interrupt if toggled from positive to negative</li> </ul>



## ES9039MPRO &amp; ES9039PRO Product Brief

## Register 19-18: INTERRUPT MASKN

Bits	[15:8]	[7:6]	[5]	[4:2]	[1]	[0]
Default	8'd0	2'b00	1'b0	3'b000	1'b0	1'b0

Bits	Mnemonic	Description
[15:8]	RESERVED	NA
[7:6]	INPUT_SELECT_OVERRIDE_MASKN	Masks positive to negative interrupt toggling. <ul style="list-style-type: none"> <li>1'b0: Ignore interrupt if toggled from positive to negative</li> <li>1'b1: Service interrupt if toggled from positive to negative</li> </ul>
[5]	TDM_VALID_EDGE_MASKN	Masks positive to negative interrupt toggling. <ul style="list-style-type: none"> <li>1'b0: Ignore interrupt if toggled from positive to negative</li> <li>1'b1: Service interrupt if toggled from positive to negative</li> </ul>
[4:2]	RESERVED	NA
[1]	BCK_WS_FAIL_MASKN	Masks positive to negative interrupt toggling. <ul style="list-style-type: none"> <li>1'b0: Ignore interrupt if toggled from positive to negative</li> <li>1'b1: Service interrupt if toggled from positive to negative</li> </ul>
[0]	DOP_VALID_MASKN	Masks positive to negative interrupt toggling. <ul style="list-style-type: none"> <li>1'b0: Ignore interrupt if toggled from positive to negative</li> <li>1'b1: Service interrupt if toggled from positive to negative</li> </ul>

## Register 20: INTERRUPT VOL MIN CLEAR

Bits	[7]	[6]	[5]	[4]	[3]	[2]	[1]	[0]
Default	1'b0	1'b0	1'b0	1'b0	1'b0	1'b0	1'b0	1'b0

Bits	Mnemonic	Description
[7]	VOL_MIN_CH8_CLEAR	Write a 1'b1 to clear the interrupt
[6]	VOL_MIN_CH7_CLEAR	Write a 1'b1 to clear the interrupt
[5]	VOL_MIN_CH6_CLEAR	Write a 1'b1 to clear the interrupt
[4]	VOL_MIN_CH5_CLEAR	Write a 1'b1 to clear the interrupt
[3]	VOL_MIN_CH4_CLEAR	Write a 1'b1 to clear the interrupt
[2]	VOL_MIN_CH3_CLEAR	Write a 1'b1 to clear the interrupt
[1]	VOL_MIN_CH2_CLEAR	Write a 1'b1 to clear the interrupt
[0]	VOL_MIN_CH1_CLEAR	Write a 1'b1 to clear the interrupt

## Register 21: INTERRUPT AUTOMUTE CLEAR

Bits	[7]	[6]	[5]	[4]	[3]	[2]	[1]	[0]
Default	1'b0	1'b0	1'b0	1'b0	1'b0	1'b0	1'b0	1'b0

Bits	Mnemonic	Description
[7]	AUTOMUTE_FLAG_CH8_CLEAR	Write a 1'b1 to clear the interrupt
[6]	AUTOMUTE_FLAG_CH7_CLEAR	Write a 1'b1 to clear the interrupt
[5]	AUTOMUTE_FLAG_CH6_CLEAR	Write a 1'b1 to clear the interrupt
[4]	AUTOMUTE_FLAG_CH5_CLEAR	Write a 1'b1 to clear the interrupt
[3]	AUTOMUTE_FLAG_CH4_CLEAR	Write a 1'b1 to clear the interrupt
[2]	AUTOMUTE_FLAG_CH3_CLEAR	Write a 1'b1 to clear the interrupt
[1]	AUTOMUTE_FLAG_CH2_CLEAR	Write a 1'b1 to clear the interrupt
[0]	AUTOMUTE_FLAG_CH1_CLEAR	Write a 1'b1 to clear the interrupt

## Register 22: INTERRUPT SS FULL RAMP CLEAR

Bits	[7]	[6]	[5]	[4]	[3]	[2]	[1]	[0]
Default	1'b0	1'b0	1'b0	1'b0	1'b0	1'b0	1'b0	1'b0

Bits	Mnemonic	Description
[7]	SS_FULL_RAMP_CH8_CLEAR	Write a 1'b1 to clear the interrupt
[6]	SS_FULL_RAMP_CH7_CLEAR	Write a 1'b1 to clear the interrupt
[5]	SS_FULL_RAMP_CH6_CLEAR	Write a 1'b1 to clear the interrupt
[4]	SS_FULL_RAMP_CH5_CLEAR	Write a 1'b1 to clear the interrupt
[3]	SS_FULL_RAMP_CH4_CLEAR	Write a 1'b1 to clear the interrupt
[2]	SS_FULL_RAMP_CH3_CLEAR	Write a 1'b1 to clear the interrupt
[1]	SS_FULL_RAMP_CH2_CLEAR	Write a 1'b1 to clear the interrupt
[0]	SS_FULL_RAMP_CH1_CLEAR	Write a 1'b1 to clear the interrupt

## Register 24-23: INTERRUPT CLEAR

Bits	[15:8]	[7:6]	[5]	[4:2]	[1]	[0]
Default	8'd0	2'b00	1'b0	3'b000	1'b0	1'b0

Bits	Mnemonic	Description
[15:8]	RESERVED	NA
[7:6]	INPUT_SELECT_OVERRIDE_CLEAR	Write a 1'b1 to clear the interrupt
[5]	TDM_VALID_EDGE_CLEAR	Write a 1'b1 to clear the interrupt
[4:2]	RESERVED	NA
[1]	BCK_WS_FAIL_CLEAR	Write a 1'b1 to clear the interrupt
[0]	DOP_VALID_CLEAR	Write a 1'b1 to clear the interrupt

## Register 25: RESERVED



## ES9039MPRO & ES9039PRO Product Brief

### Register 29-26: SSRC N AND DPLL BW

Bits	[31:28]	[27:0]
Default	4'd4	28'd0

Bits	Mnemonic	Description
[31:28]	DPLL_BW	Sets the bandwidth of the DPLL. <ul style="list-style-type: none"> <li>• 4'd0: Reserved</li> <li>• 4'd1: Lowest Bandwidth</li> <li>• 4'd15: Highest Bandwidth</li> </ul>
[27:0]	RESERVED	NA

### Register 36-30: RESERVED

## GPIO Registers

Register 37: GPIO1/2 CONFIG

Bits	[7:4]	[3:0]
Default	4'd7	4'd13

Bits	Mnemonic	Description
[7:4]	GPIO2_CFG	Configures GPIO2 <ul style="list-style-type: none"> <li>• 4'd0: analog shutdown – shutdown</li> <li>• 4'd1: output 0 – output</li> <li>• 4'd2: output 1 – output</li> <li>• 4'd3: CLK_IDAC – output</li> <li>• 4'd4: interrupt – output</li> <li>• 4'd5: mute all channel – input</li> <li>• 4'd6: input selection – input</li> <li>• 4'd7: lock_status – output (default)</li> <li>• 4'd8: clk_avalid – output</li> <li>• 4'd9: output PWM1 – output</li> <li>• 4'd10: output PWM2 – output</li> <li>• 4'd11: output PWM3 – output</li> <li>• 4'd12: volume minimum – output</li> <li>• 4'd13: automute status – output</li> <li>• 4'd14: soft ramp done – output</li> <li>• 4'd15: MQA_AUTH_TRUE – output</li> </ul>
[3:0]	GPIO1_CFG	Configures GPIO1 <ul style="list-style-type: none"> <li>• 4'd0: analog shutdown – shutdown</li> <li>• 4'd1: output 0 – output</li> <li>• 4'd2: output 1 – output</li> <li>• 4'd3: CLK_IDAC – output</li> <li>• 4'd4: interrupt – output</li> <li>• 4'd5: mute all channel – input</li> <li>• 4'd6: input selection – input</li> <li>• 4'd7: lock_status – output</li> <li>• 4'd8: clk_avalid – output</li> <li>• 4'd9: output PWM1 – output</li> <li>• 4'd10: output PWM2 – output</li> <li>• 4'd11: output PWM3 – output</li> <li>• 4'd12: volume minimum – output</li> <li>• 4'd13: automute status – output (default)</li> <li>• 4'd14: soft ramp done – output</li> <li>• 4'd15: MQA_AUTH_TRUE – output</li> </ul>



## ES9039MPRO & ES9039PRO Product Brief

### Register 38: GPIO3/4 CONFIG

<b>Bits</b>	<b>[7:4]</b>	<b>[3:0]</b>
<b>Default</b>	4'd0	4'd0

Bits	Mnemonic	Description
[7:4]	GPIO4_CFG	Configures GPIO4 <ul style="list-style-type: none"> <li>• 4'd0: analog shutdown - shutdown</li> <li>• 4'd1: output 0 - output</li> <li>• 4'd2: output 1 - output</li> <li>• 4'd3: CLK_IDAC - output</li> <li>• 4'd4: interrupt - output</li> <li>• 4'd5: mute all channel - input</li> <li>• 4'd6: input selection - input</li> <li>• 4'd7: lock_status - output</li> <li>• 4'd8: clk_avalid - output</li> <li>• 4'd9: output PWM1 - output</li> <li>• 4'd10: output PWM2 - output</li> <li>• 4'd11: output PWM3 - output</li> <li>• 4'd12: volume minimum - output</li> <li>• 4'd13: automute status - output</li> <li>• 4'd14: soft ramp done - output</li> <li>• 4'd15: MQA_AUTH_TRUE - output</li> </ul>
[3:0]	GPIO3_CFG	Configures GPIO3 <ul style="list-style-type: none"> <li>• 4'd0: analog shutdown - shutdown</li> <li>• 4'd1: output 0 - output</li> <li>• 4'd2: output 1 - output</li> <li>• 4'd3: CLK_IDAC - output</li> <li>• 4'd4: interrupt - output</li> <li>• 4'd5: mute all channel - input</li> <li>• 4'd6: input selection - input</li> <li>• 4'd7: lock_status - output</li> <li>• 4'd8: clk_avalid - output</li> <li>• 4'd9: output PWM1 - output</li> <li>• 4'd10: output PWM2 - output</li> <li>• 4'd11: output PWM3 - output</li> <li>• 4'd12: volume minimum - output</li> <li>• 4'd13: automute status - output</li> <li>• 4'd14: soft ramp done - output</li> <li>• 4'd15: MQA_AUTH_TRUE - output</li> </ul>

## Register 39: GPIO5/6 CONFIG

Bits	[7:4]	[3:0]
Default	4'd0	4'd0

Bits	Mnemonic	Description
[7:4]	GPIO6_CFG	Configures GPIO6 <ul style="list-style-type: none"> <li>• 4'd0: analog shutdown - shutdown</li> <li>• 4'd1: output 0 - output</li> <li>• 4'd2: output 1 - output</li> <li>• 4'd3: CLK_IDAC - output</li> <li>• 4'd4: interrupt - output</li> <li>• 4'd5: mute all channel - input</li> <li>• 4'd6: input selection - input</li> <li>• 4'd7: lock_status - output</li> <li>• 4'd8: clk_avalid - output</li> <li>• 4'd9: output PWM1 - output</li> <li>• 4'd10: output PWM2 - output</li> <li>• 4'd11: output PWM3 - output</li> <li>• 4'd12: volume minimum - output</li> <li>• 4'd13: automute status - output</li> <li>• 4'd14: soft ramp done - output</li> <li>• 4'd15: MQA_AUTH_TRUE - output</li> </ul>
[3:0]	GPIO5_CFG	Configures GPIO5 <ul style="list-style-type: none"> <li>• 4'd0: analog shutdown - shutdown</li> <li>• 4'd1: output 0 - output</li> <li>• 4'd2: output 1 - output</li> <li>• 4'd3: CLK_IDAC - output</li> <li>• 4'd4: interrupt - output</li> <li>• 4'd5: mute all channel - input</li> <li>• 4'd6: input selection - input</li> <li>• 4'd7: lock_status - output</li> <li>• 4'd8: clk_avalid - output</li> <li>• 4'd9: output PWM1 - output</li> <li>• 4'd10: output PWM2 - output</li> <li>• 4'd11: output PWM3 - output</li> <li>• 4'd12: volume minimum - output</li> <li>• 4'd13: automute status - output</li> <li>• 4'd14: soft ramp done - output</li> <li>• 4'd15: MQA_AUTH_TRUE - output</li> </ul>



## ES9039MPRO & ES9039PRO Product Brief

### Register 40: GPIO7/8 CONFIG

<b>Bits</b>	<b>[7:4]</b>	<b>[3:0]</b>
<b>Default</b>	4'd0	4'd0

Bits	Mnemonic	Description
[7:4]	GPIO8_CFG	Configures GPIO8 <ul style="list-style-type: none"> <li>• 4'd0: analog shutdown - shutdown</li> <li>• 4'd1: output 0 - output</li> <li>• 4'd2: output 1 - output</li> <li>• 4'd3: CLK_IDAC - output</li> <li>• 4'd4: interrupt - output</li> <li>• 4'd5: mute all channel - input</li> <li>• 4'd6: input selection - input</li> <li>• 4'd7: lock_status - output</li> <li>• 4'd8: clk_avalid - output</li> <li>• 4'd9: output PWM1 - output</li> <li>• 4'd10: output PWM2 - output</li> <li>• 4'd11: output PWM3 - output</li> <li>• 4'd12: volume minimum - output</li> <li>• 4'd13: automute status - output</li> <li>• 4'd14: soft ramp done - output</li> <li>• 4'd15: MQA_AUTH_TRUE - output</li> </ul>
[3:0]	GPIO7_CFG	Configures GPIO7 <ul style="list-style-type: none"> <li>• 4'd0: analog shutdown - shutdown</li> <li>• 4'd1: output 0 - output</li> <li>• 4'd2: output 1 - output</li> <li>• 4'd3: CLK_IDAC - output</li> <li>• 4'd4: interrupt - output</li> <li>• 4'd5: mute all channel - input</li> <li>• 4'd6: input selection - input</li> <li>• 4'd7: lock_status - output</li> <li>• 4'd8: clk_avalid - output</li> <li>• 4'd9: output PWM1 - output</li> <li>• 4'd10: output PWM2 - output</li> <li>• 4'd11: output PWM3 - output</li> <li>• 4'd12: volume minimum - output</li> <li>• 4'd13: automute status - output</li> <li>• 4'd14: soft ramp done - output</li> <li>• 4'd15: MQA_AUTH_TRUE - output</li> </ul>



## Register 41: GPIO OUTPUT ENABLE

Bits	[7]	[6]	[5]	[4]	[3]	[2]	[1]	[0]
Default	1'b0	1'b0	1'b0	1'b0	1'b0	1'b0	1'b1	1'b1

Bits	Mnemonic	Description
[7]	GPIO8_OE	<ul style="list-style-type: none"> <li>1'b0: Tristate GPIO8 (default)</li> <li>1'b1: GPIO8 Output Enable</li> </ul>
[6]	GPIO7_OE	<ul style="list-style-type: none"> <li>1'b0: Tristate GPIO7 (default)</li> <li>1'b1: GPIO7 Output Enable</li> </ul>
[5]	GPIO6_OE	<ul style="list-style-type: none"> <li>1'b0: Tristate GPIO6 (default)</li> <li>1'b1: GPIO6 Output Enable</li> </ul>
[4]	GPIO5_OE	<ul style="list-style-type: none"> <li>1'b0: Tristate GPIO5 (default)</li> <li>1'b1: GPIO5 Output Enable</li> </ul>
[3]	GPIO4_OE	<ul style="list-style-type: none"> <li>1'b0: Tristate GPIO4 (default)</li> <li>1'b1: GPIO4 Output Enable</li> </ul>
[2]	GPIO3_OE	<ul style="list-style-type: none"> <li>1'b0: Tristate GPIO3 (default)</li> <li>1'b1: GPIO3 Output Enable</li> </ul>
[1]	GPIO2_OE	<ul style="list-style-type: none"> <li>1'b0: Tristate GPIO2</li> <li>1'b1: GPIO2 Output Enable (default)</li> </ul>
[0]	GPIO1_OE	<ul style="list-style-type: none"> <li>1'b0: Tristate GPIO1</li> <li>1'b1: GPIO1 Output Enable (default)</li> </ul>

## Register 42: GPIO INPUT

Bits	[7]	[6]	[5]	[4]	[3]	[2]	[1]	[0]
Default	1'b0	1'b0	1'b0	1'b1	1'b1	1'b0	1'b0	1'b0

Bits	Mnemonic	Description
[7]	GPIO8_SDB	<ul style="list-style-type: none"> <li>1'b0: Disables GPIO8 input (default)</li> <li>1'b1: Enables GPIO8 input</li> </ul>
[6]	GPIO7_SDB	<ul style="list-style-type: none"> <li>1'b0: Disables GPIO7 input (default)</li> <li>1'b1: Enables GPIO7 input</li> </ul>
[5]	GPIO6_SDB	<ul style="list-style-type: none"> <li>1'b0: Disables GPIO6 input (default)</li> <li>1'b1: Enables GPIO6 input</li> </ul>
[4]	GPIO5_SDB	<ul style="list-style-type: none"> <li>1'b0: Disables GPIO5 input</li> <li>1'b1: Enables GPIO5 input (default)</li> </ul>
[3]	GPIO4_SDB	<ul style="list-style-type: none"> <li>1'b0: Disables GPIO4 input</li> <li>1'b1: Enables GPIO4 input (default)</li> </ul>
[2]	GPIO3_SDB	<ul style="list-style-type: none"> <li>1'b0: Disables GPIO3 input (default)</li> <li>1'b1: Enables GPIO3 input</li> </ul>
[1]	GPIO2_SDB	<ul style="list-style-type: none"> <li>1'b0: Disables GPIO2 input (default)</li> <li>1'b1: Enables GPIO2 input</li> </ul>
[0]	GPIO1_SDB	<ul style="list-style-type: none"> <li>1'b0: Disables GPIO1 input (default)</li> <li>1'b1: Enables GPIO1 input</li> </ul>



## ES9039MPRO & ES9039PRO Product Brief

### Register 43: GPIO WK EN

Bits	[7]	[6]	[5]	[4]	[3]	[2]	[1]	[0]
Default	1'b0	1'b0	1'b0	1'b0	1'b0	1'b0	1'b0	1'b0

Bits	Mnemonic	Description
[7]	GPIO8_WK_EN	<ul style="list-style-type: none"> <li>1'b0: GPIO8 weak keeper disabled (default)</li> <li>1'b1: GPIO8 weak keeper enabled</li> </ul>
[6]	GPIO7_WK_EN	<ul style="list-style-type: none"> <li>1'b0: GPIO7 weak keeper disabled (default)</li> <li>1'b1: GPIO7 weak keeper enabled</li> </ul>
[5]	GPIO6_WK_EN	<ul style="list-style-type: none"> <li>1'b0: GPIO6 weak keeper disabled (default)</li> <li>1'b1: GPIO6 weak keeper enabled</li> </ul>
[4]	GPIO5_WK_EN	<ul style="list-style-type: none"> <li>1'b0: GPIO5 weak keeper disabled (default)</li> <li>1'b1: GPIO5 weak keeper enabled</li> </ul>
[3]	GPIO4_WK_EN	<ul style="list-style-type: none"> <li>1'b0: GPIO4 weak keeper disabled (default)</li> <li>1'b1: GPIO4 weak keeper enabled</li> </ul>
[2]	GPIO3_WK_EN	<ul style="list-style-type: none"> <li>1'b0: GPIO3 weak keeper disabled (default)</li> <li>1'b1: GPIO3 weak keeper enabled</li> </ul>
[1]	GPIO2_WK_EN	<ul style="list-style-type: none"> <li>1'b0: GPIO2 weak keeper disabled (default)</li> <li>1'b1: GPIO2 weak keeper enabled</li> </ul>
[0]	GPIO1_WK_EN	<ul style="list-style-type: none"> <li>1'b0: GPIO1 weak keeper disabled (default)</li> <li>1'b1: GPIO1 weak keeper enabled</li> </ul>

### Register 44: INVERT GPIO

Bits	[7]	[6]	[5]	[4]	[3]	[2]	[1]	[0]
Default	1'b0	1'b0	1'b0	1'b0	1'b0	1'b0	1'b0	1'b0

Bits	Mnemonic	Description
[7]	INVERT_GPIO8	<ul style="list-style-type: none"> <li>1'b1: Inverts GPIO8 output.</li> </ul>
[6]	INVERT_GPIO7	<ul style="list-style-type: none"> <li>1'b1: Inverts GPIO7 output.</li> </ul>
[5]	INVERT_GPIO6	<ul style="list-style-type: none"> <li>1'b1: Inverts GPIO6 output.</li> </ul>
[4]	INVERT_GPIO5	<ul style="list-style-type: none"> <li>1'b1: Inverts GPIO5 output.</li> </ul>
[3]	INVERT_GPIO4	<ul style="list-style-type: none"> <li>1'b1: Inverts GPIO4 output.</li> </ul>
[2]	INVERT_GPIO3	<ul style="list-style-type: none"> <li>1'b1: Inverts GPIO3 output.</li> </ul>
[1]	INVERT_GPIO2	<ul style="list-style-type: none"> <li>1'b1: Inverts GPIO2 output.</li> </ul>
[0]	INVERT_GPIO1	<ul style="list-style-type: none"> <li>1'b1: Inverts GPIO1 output.</li> </ul>

## ES9039MPRO &amp; ES9039PRO Datasheet



## Register 45: GPIO READ

Bits	[7]	[6]	[5]	[4]	[3]	[2]	[1]	[0]
Default	1'b0	1'b0	1'b0	1'b0	1'b0	1'b0	1'b0	1'b0

Bits	Mnemonic	Description
[7]	GPIO8_READ	<ul style="list-style-type: none"> <li>1'b0: GPIO8 Readback disabled (default)</li> <li>1'b1: Allow readback of GPIO8_I</li> </ul>
[6]	GPIO7_READ	<ul style="list-style-type: none"> <li>1'b0: GPIO7 Readback disabled (default)</li> <li>1'b1: Allow readback of GPIO7_I</li> </ul>
[5]	GPIO6_READ	<ul style="list-style-type: none"> <li>1'b0: GPIO6 Readback disabled (default)</li> <li>1'b1: Allow readback of GPIO6_I</li> </ul>
[4]	GPIO5_READ	<ul style="list-style-type: none"> <li>1'b0: GPIO5 Readback disabled (default)</li> <li>1'b1: Allow readback of GPIO5_I</li> </ul>
[3]	GPIO4_READ	<ul style="list-style-type: none"> <li>1'b0: GPIO4 Readback disabled (default)</li> <li>1'b1: Allow readback of GPIO4_I</li> </ul>
[2]	GPIO3_READ	<ul style="list-style-type: none"> <li>1'b0: GPIO3 Readback disabled (default)</li> <li>1'b1: Allow readback of GPIO3_I</li> </ul>
[1]	GPIO2_READ	<ul style="list-style-type: none"> <li>1'b0: GPIO2 Readback disabled (default)</li> <li>1'b1: Allow readback of GPIO2_I</li> </ul>
[0]	GPIO1_READ	<ul style="list-style-type: none"> <li>1'b0: GPIO1 Readback disabled (default)</li> <li>1'b1: Allow readback of GPIO1_I</li> </ul>



## ES9039MPRO & ES9039PRO Product Brief

### Register 47-46: GPIO OUTPUT LOGIC

Bits	[15]	[14:9]	[8:6]	[5]	[4]	[3]	[2]	[1]	[0]
Default	1'b0	6'd0	3'd0	1'b0	1'b0	1'b0	1'b1	1'b1	1'b1

Bits	Mnemonic	Description
[15]	GPIO_DAC_MODE	When any GPIOx_CFG = 6 (input system mode control): <ul style="list-style-type: none"> <li>1'b0: Power down when GPIO input is 1</li> <li>1'b1: HIFI when GPIO input is 1 (when GPIO input is 0, system mode is determined by register DAC_MODE_REG (register 0, bit[1]))</li> </ul>
[14:9]	RESERVED	NA
[8:6]	GPIO_SEL	When GPIOx_CFG = 12, 13 or 14, and the corresponding GPIO_AND and GPIO_OR are not set: <ul style="list-style-type: none"> <li>3'd0: Outputs status/flag from ch1</li> <li>3'd1: Outputs status/flag from ch2</li> <li>3'd2: Outputs status/flag from ch3</li> <li>3'd3: Outputs status/flag from ch4</li> <li>3'd4: Outputs status/flag from ch5</li> <li>3'd5: Outputs status/flag from ch6</li> <li>3'd6: Outputs status/flag from ch7</li> <li>3'd7: Outputs status/flag from ch8</li> </ul>
[5]	GPIO_OR_SS_RAMP	When GPIOx_CFG = 14 (output soft ramp done flag): <ul style="list-style-type: none"> <li>1'b0: The soft ramp done flag is determined by GPIO_AND_SS_RAMP and GPIO_SEL (default)</li> <li>1'b1: The soft ramp done flag is the "OR" of all 8ch soft ramp done flags</li> </ul>
[4]	GPIO_OR_VOL_MIN	When GPIOx_CFG = 12 (output vol_min flag): <ul style="list-style-type: none"> <li>1'b0: The vol_min flag is determined by GPIO_AND_VOL_MIN and GPIO_SEL (default)</li> <li>1'b1: The vol_min flag is the "OR" of all 8ch vol_min flags</li> </ul>
[3]	GPIO_OR_AUTOMUTE	When GPIOx_CFG = 13 (output automute status): <ul style="list-style-type: none"> <li>1'b0: The automute status is determined by GPIO_AND_AUTOMUTE and GPIO_SEL (default)</li> <li>1'b1: The automute status is the "OR" of all 8ch automute status</li> </ul>
[2]	GPIO_AND_SS_RAMP	When GPIOx_CFG = 14 (output soft ramp done flag) and GPIO_OR_SS_RAMP is not set: <ul style="list-style-type: none"> <li>1'b0: The soft ramp done flag is from a single channel selected by GPIO_SEL</li> <li>1'b1: The soft ramp done flag is the "AND" of all 8ch soft ramp done flags (default)</li> </ul>
[1]	GPIO_AND_VOL_MIN	When GPIOx_CFG = 12 (output vol_min flag) and GPIO_OR_VOL_MIN is not set: <ul style="list-style-type: none"> <li>1'b0: The vol_min flag is from a single channel selected by GPIO_SEL</li> <li>1'b1: The vol_min flag is the "AND" of all 8ch vol_min flags (default)</li> </ul>
[0]	GPIO_AND_AUTOMUTE	When GPIOx_CFG = 13 (output automute status) and GPIO_OR_AUTOMUTE is not set: <ul style="list-style-type: none"> <li>1'b0: The automute status is from a single channel selected by GPIO_SEL</li> <li>1'b1: The automute status is the "AND" of all 8ch automute status (default)</li> </ul>



## Register 48: PWM1 COUNT

Bits	[7:0]
Default	8'd0

Bits	Mnemonic	Description
[7:0]	PWM1_COUNT	8-bit value to set the number of SYS_CLK periods the PWM signal is high for. Valid from 8'd0 to 8'd255

## Register 50-49: PWM1 FREQUENCY

Bits	[15:0]
Default	16'd0

Bits	Mnemonic	Description
[15:0]	PWM1_FREQ	16-bit value to set the frequency of the PWM signal in terms of SYS_CLK divisions. Valid from 16'h0000 to 16'hFFFF $frequency (Hz) = \frac{SYS\_CLK}{PWM1\_FREQ + 1}$ $Duty Cycle (\%) = \left( 1 - \frac{(PWM1\_FREQ + 1) - PWM1\_COUNT}{PWM1\_FREQ + 1} \right) \times 100$

## Register 51: PWM2 COUNT

Bits	[7:0]
Default	8'd0

Bits	Mnemonic	Description
[7:0]	PWM2_COUNT	8-bit value to set the number of SYS_CLK periods the PWM signal is high for. Valid from 8'd0 to 8'd255

## Register 53-52: PWM2 FREQUENCY

Bits	[15:0]
Default	16'd0

Bits	Mnemonic	Description
[15:0]	PWM2_FREQ	16-bit value to set the frequency of the PWM signal in terms of SYS_CLK divisions. Valid from 16'h0000 to 16'hFFFF $frequency (Hz) = \frac{SYS\_CLK}{PWM2\_FREQ + 1}$ $Duty Cycle (\%) = \left( 1 - \frac{(PWM2\_FREQ + 1) - PWM2\_COUNT}{PWM2\_FREQ + 1} \right) \times 100$



## ES9039MPRO & ES9039PRO Product Brief

### Register 54: PWM3 COUNT

Bits	[7:0]
Default	8'd0

Bits	Mnemonic	Description
[7:0]	PWM3_COUNT	8-bit value to set the number of SYS_CLK periods the PWM signal is high for. Valid from 8'd0 to 8'd255

### Register 56-55: PWM3 FREQUENCY

Bits	[15:0]
Default	16'd0

Bits	Mnemonic	Description
[15:0]	PWM3_FREQ	16-bit value to set the frequency of the PWM signal in terms of SYS_CLK divisions. Valid from 16'h0000 to 16'hFFFF $frequency (Hz) = \frac{SYS\_CLK}{PWM3\_FREQ + 1}$ $Duty Cycle (\%) = \left( 1 - \frac{(PWM3\_FREQ + 1) - PWM3\_COUNT}{PWM3\_FREQ + 1} \right) \times 100$



## DAC Registers

### Register 57: INPUT SELECTION

Bits	[7]	[6]	[5]	[4]	[3]	[2:1]	[0]
Default	1'b0	1'b1	1'b0	1'b0	1'b0	2'd0	1'b0

Bits	Mnemonic	Description
[7]	AUTO_CH_DETECT	Auto detect BCK/FRAME ratio to determine the number of TDM channels <ul style="list-style-type: none"> <li>1'b0: Disabled (default)</li> <li>1'b1: Enabled</li> </ul>
[6]	ENABLE_DSD_FAULT_DETECTION	<ul style="list-style-type: none"> <li>1'b0: Disabled</li> <li>1'b1: Enabled (default)</li> </ul>
[5]	DSD_MASTER_MODE	DSD master mode config. <ul style="list-style-type: none"> <li>1'b0: DSD slave mode (default)</li> <li>1'b1: DSD master mode. DSD_CLK outputs from DATA_CLK</li> </ul>
[4]	PCM_MASTER_MODE	PCM master mode config. <ul style="list-style-type: none"> <li>1'b0: PCM slave mode (default)</li> <li>1'b1: PCM master mode enabled. Master BCK and WS output from DATA_CLK and DATA1</li> </ul>
[3]	RESERVED	NA
[2:1]	INPUT_SEL	Selects input data format when AUTO_INPUT_SELECT is disabled. <ul style="list-style-type: none"> <li>2'd0: TDM (default)</li> <li>2'd1: DSD</li> <li>2'd2: DoP</li> <li>2'd3: SPDIF</li> </ul>
[0]	AUTO_INPUT_SEL	Automatic input data selection config. <ul style="list-style-type: none"> <li>1'b0: Disables auto input select. Input data format is set by INPUT_SEL (default)</li> <li>1'b1: Automatically determine the input data format.</li> </ul> <p>Note: When using AUTO_INPUT_SEL data must be provided on the DATA2 pin, to properly decode the input format</p>



## ES9039MPRO & ES9039PRO Product Brief

### Register 58: SERIAL MASTER ENCODER CONFIG

Bits	[7]	[6]	[5]	[4:3]	[2]	[1]	[0]
Default	1'b0	1'b0	1'b0	2'd0	1'b0	1'b0	1'b1

Bits	Mnemonic	Description
[7]	TDM_RESYNC	Force TDM decoder to resync. <ul style="list-style-type: none"> <li>1'b0: Let decoder sync (default)</li> <li>1'b1: Force decoder not sync</li> </ul>
[6]	BCK_INV	Invert the slave BCK <ul style="list-style-type: none"> <li>1'b0: Normal operation</li> <li>1'b1: Invert slave BCK</li> </ul>
[5]	RESERVED	NA
[4:3]	MASTER_FRAME_LENGTH	Selects the bit length in each TDM channel in master mode. <ul style="list-style-type: none"> <li>2'd0: 32-bit (default)</li> <li>2'd1: 24-bit</li> <li>2'd2: 16-bit</li> <li>2'd3: Reserved</li> </ul>
[2]	MASTER_WS_PULSE_MODE	When enabled, master WS is a pulse signal instead of a 50% duty cycle signal. The pulse width is 1 BCK cycle. <ul style="list-style-type: none"> <li>1'b0: 50% duty cycle WS signal (default)</li> <li>1'b1: Pulse WS signal</li> </ul>
[1]	MASTER_WS_INVERT	Inverts master WS. <ul style="list-style-type: none"> <li>1'b0: Non-inverted (default)</li> <li>1'b1: Inverted</li> </ul>
[0]	MASTER_BCK_INVERT	Inverts master BCK or DSD_CLK. <ul style="list-style-type: none"> <li>1'b0: Non-inverted</li> <li>1'b1: Inverted (default)</li> </ul>

### Register 59: TDM CONFIG

Bits	[7:5]	[4:0]
Default	3'd0	5'd1

Bits	Mnemonic	Description
[7:5]	RESERVED	NA
[4:0]	TDM_CH_NUM	Total number of TDM slots per frame = TDM_CH_NUM + 1.



## ES9039MPRO &amp; ES9039PRO Datasheet



## Register 60: TDM CONFIG1

Bits	[7]	[6]	[5:0]
Default	1'b0	1'b0	6'd1

Bits	Mnemonic	Description
[7]	TDM_LJ_MODE	TDM LJ mode. <ul style="list-style-type: none"> <li>1'b0: Standard I2S (default)</li> <li>1'b1: LJ mode</li> </ul>
[6]	TDM_VALID_EDGE	TDM WS valid edge. <ul style="list-style-type: none"> <li>1'b0: negative edge (default)</li> <li>1'b1: positive edge</li> </ul>
[5:0]	RESERVED	NA

## Register 61: TDM CONFIG2

Bits	[7]	[6:5]	[4:0]
Default	1'b1	2'b00	5'd0

Bits	Mnemonic	Description
[7]	RESERVED	NA
[6:5]	TDM_BIT_WIDTH	Bit width of each TDM slot. <ul style="list-style-type: none"> <li>2'b00: 32-bit (default)</li> <li>2'b01: 24-bit</li> <li>2'b10: 16-bit</li> <li>2'b11: Reserved</li> </ul>
[4:0]	TDM_DATA_LATCH_ADJ	Sets the position of the start bit within each TDM slot. Can be moved +ve or -ve relative to MSB



## ES9039MPRO & ES9039PRO Product Brief

### Register 62: BCK/WS MONITOR CONFIG

Bits	[7]	[6]	[5]	[4]	[3]	[2:0]
Default	1'b0	1'b0	1'b1	1'b1	1'b0	3'd0

Bits	Mnemonic	Description
[7]	DISABLE_DSD_DC	<ul style="list-style-type: none"> <li>1'b0: DSD DC can trigger an automute if automute is enabled (default)</li> <li>1'b1: DSD DC is ignored.</li> </ul>
[6]	DISABLE_DSD_MUTE	<ul style="list-style-type: none"> <li>1'b0: DSD mute pattern can trigger an automute is automute is enabled (default)</li> <li>1'b1: DSD mute pattern is ignored.</li> </ul>
[5]	ENABLE_WS_MONITOR	Enable WS monitor. <ul style="list-style-type: none"> <li>1'b0: Disable</li> <li>1'b1: Enable (default)</li> </ul>
[4]	ENABLE_BCK_MONITOR	Enable BCK monitor. <ul style="list-style-type: none"> <li>1'b0: Disable (default)</li> <li>1'b1: Enable</li> </ul>
[3]	DISABLE_PCM_DC	<ul style="list-style-type: none"> <li>1'b0: PCM DC signal can trigger an automute if automute is enabled.</li> <li>1'b1: PCM DC is ignored.</li> </ul>
[2:0]	RESERVED	NA

### Register 63: RESERVED

### Register 64: TDM CH1 CONFIG

Bits	[7]	[6:5]	[4:0]
Default	1'b0	2'd0	5'd0

Bits	Mnemonic	Description
[7]	RESERVED	NA
[6:5]	TDM_CH1_LINE_SEL	CH1 data line selection. CH1 receives data from Nth line. $N = \text{TDM\_CH1\_LINE\_SEL} + 1$ . Note: Valid for TDM, PCM and DoP.
[4:0]	TDM_CH1_SLOT_SEL	CH1 data slot selection. CH1 receives data from Mth slot. $M = \text{TDM\_CH1\_SLOT\_SEL} + 1$ . Note: Valid for TDM, PCM and DoP.

## ES9039MPRO &amp; ES9039PRO Datasheet



## Register 65: TDM CH2 CONFIG

Bits	[7]	[6:5]	[4:0]
Default	1'b0	2'd0	5'd0

Bits	Mnemonic	Description
[7]	RESERVED	NA
[6:5]	TDM_CH2_LINE_SEL	CH2 data line selection. CH2 receives data from Nth line. N = TDM_CH2_LINE_SEL + 1. Note: Valid for TDM, PCM and DoP.
[4:0]	TDM_CH2_SLOT_SEL	CH2 data slot selection. CH2 receives data from Mth slot. M = TDM_CH2_SLOT_SEL + 1. Note: Valid for TDM, PCM and DoP.

## Register 66: TDM CH3 CONFIG

Bits	[7]	[6:5]	[4:0]
Default	1'b0	2'd0	5'd0

Bits	Mnemonic	Description
[7]	RESERVED	NA
[6:5]	TDM_CH3_LINE_SEL	CH3 data line selection. CH3 receives data from Nth line. N = TDM_CH3_LINE_SEL + 1. Note: Valid for TDM, PCM and DoP.
[4:0]	TDM_CH3_SLOT_SEL	CH3 data slot selection. CH3 receives data from Mth slot. M = TDM_CH3_SLOT_SEL + 1. Note: Valid for TDM, PCM and DoP.

## Register 67: TDM CH4 CONFIG

Bits	[7]	[6:5]	[4:0]
Default	1'b0	2'd0	5'd0

Bits	Mnemonic	Description
[7]	RESERVED	NA
[6:5]	TDM_CH4_LINE_SEL	CH4 data line selection. CH4 receives data from Nth line. N = TDM_CH4_LINE_SEL + 1. Note: Valid for TDM, PCM and DoP.
[4:0]	TDM_CH4_SLOT_SEL	CH4 data slot selection. CH4 receives data from Mth slot. M = TDM_CH4_SLOT_SEL + 1. Note: Valid for TDM, PCM and DoP.



## ES9039MPRO & ES9039PRO Product Brief

### Register 68: TDM CH5 CONFIG

Bits	[7]	[6:5]	[4:0]
Default	1'b0	2'd0	5'd0

Bits	Mnemonic	Description
[7]	RESERVED	NA
[6:5]	TDM_CH5_LINE_SEL	CH5 data line selection. CH5 receives data from Nth line. N = TDM_CH5_LINE_SEL + 1. Note: Valid for TDM, PCM and DoP.
[4:0]	TDM_CH5_SLOT_SEL	CH5 data slot selection. CH5 receives data from Mth slot. M = TDM_CH5_SLOT_SEL + 1. Note: Valid for TDM, PCM and DoP.

### Register 69: TDM CH6 CONFIG

Bits	[7]	[6:5]	[4:0]
Default	1'b0	2'd0	5'd0

Bits	Mnemonic	Description
[7]	RESERVED	NA
[6:5]	TDM_CH6_LINE_SEL	CH6 data line selection. CH6 receives data from Nth line. N = TDM_CH6_LINE_SEL + 1. Note: Valid for TDM, PCM and DoP.
[4:0]	TDM_CH6_SLOT_SEL	CH6 data slot selection. CH6 receives data from Mth slot. M = TDM_CH6_SLOT_SEL + 1. Note: Valid for TDM, PCM and DoP.

### Register 70: TDM CH7 CONFIG

Bits	[7]	[6:5]	[4:0]
Default	1'b0	2'd0	5'd0

Bits	Mnemonic	Description
[7]	RESERVED	NA
[6:5]	TDM_CH7_LINE_SEL	CH7 data line selection. CH7 receives data from Nth line. N = TDM_CH7_LINE_SEL + 1. Note: Valid for TDM, PCM and DoP.
[4:0]	TDM_CH7_SLOT_SEL	CH7 data slot selection. CH7 receives data from Mth slot. M = TDM_CH7_SLOT_SEL + 1. Note: Valid for TDM, PCM and DoP.

## ES9039MPRO &amp; ES9039PRO Datasheet



## Register 71: TDM CH8 CONFIG

Bits	[7]	[6:5]	[4:0]
Default	1'b0	2'd0	5'd0

Bits	Mnemonic	Description
[7]	RESERVED	NA
[6:5]	TDM_CH8_LINE_SEL	CH8 data line selection. CH8 receives data from Nth line. N = TDM_CH8_LINE_SEL + 1. Note: Valid for TDM, PCM and DoP.
[4:0]	TDM_CH8_SLOT_SEL	CH8 data slot selection. CH8 receives data from Mth slot. M = TDM_CH8_SLOT_SEL + 1. Note: Valid for TDM, PCM and DoP.

## Register 73-72: RESERVED

## Register 74: VOLUME1

Bits	[7:0]
Default	8'd0

Bits	Mnemonic	Description
[7:0]	VOLUME1	DAC ch1 volume. -0dB to -127.5dB, 0.5dB steps <ul style="list-style-type: none"> <li>8'd0: 0dB</li> <li>8'd255: -127.5dB</li> </ul>

## Register 75: VOLUME2

Bits	[7:0]
Default	8'd0

Bits	Mnemonic	Description
[7:0]	VOLUME2	DAC ch2 volume. -0dB to -127.5dB, 0.5dB steps <ul style="list-style-type: none"> <li>8'd0: 0dB</li> <li>8'd255: -127.5dB</li> </ul>

## Register 76: VOLUME3

Bits	[7:0]
Default	8'd0

Bits	Mnemonic	Description
[7:0]	VOLUME3	DAC ch3 volume. -0dB to -127.5dB, 0.5dB steps <ul style="list-style-type: none"> <li>8'd0: 0dB</li> <li>8'd255: -127.5dB</li> </ul>



## ES9039MPRO & ES9039PRO Product Brief

### Register 77: VOLUME4

Bits	[7:0]
Default	8'd0

Bits	Mnemonic	Description
[7:0]	VOLUME4	DAC ch4 volume. -0dB to -127.5dB, 0.5dB steps <ul style="list-style-type: none"> <li>8'd0: 0dB</li> <li>8'd255: -127.5dB</li> </ul>

### Register 78: VOLUME5

Bits	[7:0]
Default	8'd0

Bits	Mnemonic	Description
[7:0]	VOLUME5	DAC ch5 volume. -0dB to -127.5dB, 0.5dB steps <ul style="list-style-type: none"> <li>8'd0: 0dB</li> <li>8'd255: -127.5dB</li> </ul>

### Register 79: VOLUME6

Bits	[7:0]
Default	8'd0

Bits	Mnemonic	Description
[7:0]	VOLUME6	DAC ch6 volume. -0dB to -127.5dB, 0.5dB steps <ul style="list-style-type: none"> <li>8'd0: 0dB</li> <li>8'd255: -127.5dB</li> </ul>

### Register 80: VOLUME7

Bits	[7:0]
Default	8'd0

Bits	Mnemonic	Description
[7:0]	VOLUME7	DAC ch7 volume. -0dB to -127.5dB, 0.5dB steps <ul style="list-style-type: none"> <li>8'd0: 0dB</li> <li>8'd255: -127.5dB</li> </ul>

### Register 81: VOLUME8

Bits	[7:0]
Default	8'd0

Bits	Mnemonic	Description
[7:0]	VOLUME8	DAC ch8 volume. -0dB to -127.5dB, 0.5dB steps <ul style="list-style-type: none"> <li>8'd0: 0dB</li> <li>8'd255: -127.5dB</li> </ul>

### Register 82: DAC VOL UP RATE

Bits	[7:0]
Default	8'd4

Bits	Mnemonic	Description
------	----------	-------------

## ES9039MPRO &amp; ES9039PRO Datasheet



[7:0]	DAC_VOL_RATE_UP	<p>Value by which the old VOLUME value is incremented to reach the new VOLUME value Valid from 8'd0 (instant) to 8'd255 (fastest), where 8'd0 instantly changes the VOLUME value</p> <ul style="list-style-type: none"> <li>• 8'd0: Instant change</li> <li>• 8'd4: Default</li> <li>• 8'd255: Fastest change</li> </ul> $ramp\_rate [s] = \frac{2^{15}}{DAC\_VOL\_RATE\_UP * FS}$
-------	-----------------	--

## Register 83: DAC VOL DOWN RATE

Bits	[7:0]
Default	8'd4

Bits	Mnemonic	Description
[7:0]	DAC_VOL_RATE_DOWN	<p>Value by which the old VOLUME value is incremented to reach the new VOLUME value Valid from 8'd0 (instant) to 8'd255 (fastest), where 8'd0 instantly changes the VOLUME value</p> <ul style="list-style-type: none"> <li>• 8'd0: Instant change</li> <li>• 8'd4: Default</li> <li>• 8'd255: Fastest change</li> </ul> $ramp\_rate [s] = \frac{2^{15}}{DAC\_VOL\_RATE\_DOWN * FS}$

## Register 84: DAC VOL DOWN RATE FAST

Bits	[7:0]
Default	8'd255

Bits	Mnemonic	Description
[7:0]	DAC_VOL_RATE_FAST	<p>Value by which the old VOLUME value is incremented to reach the new VOLUME value Valid from 8'd0 (instant) to 8'd255 (fastest), where 8'd0 instantly changes the VOLUME value Only used during abnormal mute (PLL unlock or BCK_WS ratio failed)</p> <ul style="list-style-type: none"> <li>• 8'd0: Instant change</li> <li>• 8'd255: Fastest change (default)</li> </ul> $ramp\_rate [s] = \frac{2^{15}}{DAC\_VOL\_RATE\_FAST * FS}$

## Register 85: RESERVED

## Register 86: DAC MUTE

Bits	[7]	[6]	[5]	[4]	[3]	[2]	[1]	[0]
Default	1'b0	1'b0	1'b0	1'b0	1'b0	1'b0	1'b0	1'b0

Bits	Mnemonic	Description
[7]	DAC_MUTE_CH8	<ul style="list-style-type: none"> <li>• 1'b0: Normal operation (default)</li> <li>• 1'b1: Mute ch8</li> </ul>



## ES9039MPRO & ES9039PRO Product Brief

[6]	DAC_MUTE_CH7	<ul style="list-style-type: none"> <li>1'b0: Normal operation (default)</li> <li>1'b1: Mute ch7</li> </ul>
[5]	DAC_MUTE_CH6	<ul style="list-style-type: none"> <li>1'b0: Normal operation (default)</li> <li>1'b1: Mute ch6</li> </ul>
[4]	DAC_MUTE_CH5	<ul style="list-style-type: none"> <li>1'b0: Normal operation (default)</li> <li>1'b1: Mute ch5</li> </ul>
[3]	DAC_MUTE_CH4	<ul style="list-style-type: none"> <li>1'b0: Normal operation (default)</li> <li>1'b1: Mute ch4</li> </ul>
[2]	DAC_MUTE_CH3	<ul style="list-style-type: none"> <li>1'b0: Normal operation (default)</li> <li>1'b1: Mute ch3</li> </ul>
[1]	DAC_MUTE_CH2	<ul style="list-style-type: none"> <li>1'b0: Normal operation (default)</li> <li>1'b1: Mute ch2</li> </ul>
[0]	DAC_MUTE_CH1	<ul style="list-style-type: none"> <li>1'b0: Normal operation (default)</li> <li>1'b1: Mute ch1</li> </ul>

### Register 87: DAC INVERT

Bits	[7]	[6]	[5]	[4]	[3]	[2]	[1]	[0]
Default	1'b0	1'b0	1'b0	1'b0	1'b0	1'b0	1'b0	1'b0

Bits	Mnemonic	Description
[7]	DAC_INVERT_CH8	Invert the output on Ch8 at the input to the NSMOD
[6]	DAC_INVERT_CH7	Invert the output on Ch7 at the input to the NSMOD
[5]	DAC_INVERT_CH6	Invert the output on Ch6 at the input to the NSMOD
[4]	DAC_INVERT_CH5	Invert the output on Ch5 at the input to the NSMOD
[3]	DAC_INVERT_CH4	Invert the output on Ch4 at the input to the NSMOD
[2]	DAC_INVERT_CH3	Invert the output on Ch3 at the input to the NSMOD
[1]	DAC_INVERT_CH2	Invert the output on Ch2 at the input to the NSMOD
[0]	DAC_INVERT_CH1	Invert the output on Ch1 at the input to the NSMOD



## ES9039MPRO &amp; ES9039PRO Datasheet



## Register 88: FILTER SHAPE

Bits	[7:3]	[2:0]
Default	5'd12	3'd0

Bits	Mnemonic	Description
[7:3]	RESERVED	NA
[2:0]	FILTER_SHAPE	Selects the 8x interpolation FIR filter shape. <ul style="list-style-type: none"> <li>3'd0: Minimum phase (default)</li> <li>3'd1: Linear phase apodizing</li> <li>3'd2: Linear phase fast roll-off</li> <li>3'd4: Linear phase slow roll-off</li> <li>3'd5: Minimum phase fast roll-off</li> <li>3'd6: Minimum phase slow roll-off</li> <li>3'd7: Minimum phase slow roll-off low dispersion</li> </ul>

## Register 89: IIR BANDWIDTH &amp; S/PDIF Select

Bits	[7:4]	[3]	[2:0]
Default	4'd0	1'b0	3'd4

Bits	Mnemonic	Description
[7:4]	SPDIF_SEL	Selects the S/PDIF data input pin <ul style="list-style-type: none"> <li>4'd1: GPIO1</li> <li>4'd2: GPIO2</li> <li>4'd3: GPIO3</li> <li>4'd4: DATA1</li> <li>4'd5: DATA2</li> <li>4'd6: DATA3</li> <li>4'd7: DATA4/GPIO4</li> <li>4'd8: DATA5/GPIO5</li> <li>4'd9: DATA6/GPIO6</li> <li>4'd10: DATA7/GPIO7</li> <li>4'd11: DATA8/GPIO8</li> <li>Others: Reserved</li> </ul> Note: GPIOx pins also require the GPIO input to be enabled
[3]	VOLUME_HOLD	Hold volume coefficients to allow for all channels to update at same time
[2:0]	IIR_BW	Controls the IIR bandwidth in the digital data path <ul style="list-style-type: none"> <li>3'd0: Not valid</li> <li>3'd1: BW*8 (Maximum bandwidth)</li> <li>3'd2: BW*4</li> <li>3'd3: BW*2</li> <li>3'd4: Default BW</li> <li>3'd5: BW/2</li> <li>3'd6: BW/4</li> <li>3'd7: BW/8 (Minimum bandwidth)</li> </ul>



## ES9039MPRO &amp; ES9039PRO Product Brief

## Register 90: DAC PATH CONFIG

Bits	[7:3]	[2]	[1]	[0]
Default	5'b00000	1'b0	1'b0	1'b0

Bits	Mnemonic	Description
[7:3]	RESERVED	NA
[2]	BYPASS_IIR	<ul style="list-style-type: none"> <li>1'b0: Non-bypass IIR1 (default)</li> <li>1'b1: Bypass IIR1</li> </ul>
[1]	BYPASS_FIR4X	<ul style="list-style-type: none"> <li>1'b0: Non-bypass IFir_4x (default)</li> <li>1'b1: Bypass IFir_4x</li> </ul>
[0]	BYPASS_FIR2X	<ul style="list-style-type: none"> <li>1'b0: Non-bypass IFir_2x (default)</li> <li>1'b1: Bypass IFir_2x</li> </ul>

## Register 98-91: THD\_C2\_L

Bits	[63:48]	[47:32]	[31:16]	[15:0]
Default	16'd0	16'd0	16'd0	16'd0

Bits	Mnemonic	Description
[63:48]	THD_C2_3	<p>A 16-bit signed coefficient for correcting for the CH4 second harmonic distortion.</p> $output = x + c2 * x^2 + c3 * x^3$
[47:32]	THD_C2_2	<p>A 16-bit signed coefficient for correcting for the CH3 second harmonic distortion.</p> $output = x + c2 * x^2 + c3 * x^3$
[31:16]	THD_C2_1	<p>A 16-bit signed coefficient for correcting for the CH2 second harmonic distortion.</p> $output = x + c2 * x^2 + c3 * x^3$
[15:0]	THD_C2_0	<p>A 16-bit signed coefficient for correcting for the CH1 second harmonic distortion.</p> $output = x + c2 * x^2 + c3 * x^3$

## ES9039MPRO &amp; ES9039PRO Datasheet



## Register 106-99: THD\_C2\_H

Bits	[63:48]	[47:32]	[31:16]	[15:0]
Default	16'd0	16'd0	16'd0	16'd0

Bits	Mnemonic	Description
[63:48]	THD_C2_7	A 16-bit signed coefficient for correcting for the CH8 second harmonic distortion. $output = x + c2 * x^2 + c3 * x^3$
[47:32]	THD_C2_6	A 16-bit signed coefficient for correcting for the CH7 second harmonic distortion. $output = x + c2 * x^2 + c3 * x^3$
[31:16]	THD_C2_5	A 16-bit signed coefficient for correcting for the CH6 second harmonic distortion. $output = x + c2 * x^2 + c3 * x^3$
[15:0]	THD_C2_4	A 16-bit signed coefficient for correcting for the CH5 second harmonic distortion. $output = x + c2 * x^2 + c3 * x^3$

## Register 114-107: THD\_C3\_L

Bits	[63:48]	[47:32]	[31:16]	[15:0]
Default	16'd0	16'd0	16'd0	16'd0

Bits	Mnemonic	Description
[63:48]	THD_C3_3	A 16-bit signed coefficient for correcting for the CH4 third harmonic distortion. $output = x + c2 * x^2 + c3 * x^3$
[47:32]	THD_C3_2	A 16-bit signed coefficient for correcting for the CH3 third harmonic distortion. $output = x + c2 * x^2 + c3 * x^3$
[31:16]	THD_C3_1	A 16-bit signed coefficient for correcting for the CH2 third harmonic distortion. $output = x + c2 * x^2 + c3 * x^3$
[15:0]	THD_C3_0	A 16-bit signed coefficient for correcting for the CH1 third harmonic distortion. $output = x + c2 * x^2 + c3 * x^3$



## ES9039MPRO & ES9039PRO Product Brief

### Register 122-115: THD\_C3\_H

Bits	[63:48]	[47:32]	[31:16]	[15:0]
Default	16'd0	16'd0	16'd0	16'd0

Bits	Mnemonic	Description
[63:48]	THD_C3_7	A 16-bit signed coefficient for correcting for the CH8 third harmonic distortion. $output = x + c2 * x^2 + c3 * x^3$
[47:32]	THD_C3_6	A 16-bit signed coefficient for correcting for the CH7 third harmonic distortion. $output = x + c2 * x^2 + c3 * x^3$
[31:16]	THD_C3_5	A 16-bit signed coefficient for correcting for the CH6 third harmonic distortion. $output = x + c2 * x^2 + c3 * x^3$
[15:0]	THD_C3_4	A 16-bit signed coefficient for correcting for the CH5 third harmonic distortion. $output = x + c2 * x^2 + c3 * x^3$

## ES9039MPRO &amp; ES9039PRO Datasheet



## Register 123: AUTOMUTE ENABLE

Bits	[7]	[6]	[5]	[4]	[3]	[2]	[1]	[0]
Default	1'b1	1'b1	1'b1	1'b1	1'b1	1'b1	1'b1	1'b1

Bits	Mnemonic	Description
[7]	AUTOMUTE_EN_CH8	<ul style="list-style-type: none"> <li>1'b0: Disables ch8 automute</li> <li>1'b1: Enables ch8 automute (default)</li> </ul> Note: Automute is available for PCM only
[6]	AUTOMUTE_EN_CH7	<ul style="list-style-type: none"> <li>1'b0: Disables ch7 automute</li> <li>1'b1: Enables ch7 automute (default)</li> </ul> Note: Automute is available for PCM only
[5]	AUTOMUTE_EN_CH6	<ul style="list-style-type: none"> <li>1'b0: Disables ch6 automute</li> <li>1'b1: Enables ch6 automute (default)</li> </ul> Note: Automute is available for PCM only
[4]	AUTOMUTE_EN_CH5	<ul style="list-style-type: none"> <li>1'b0: Disables ch5 automute</li> <li>1'b1: Enables ch5 automute (default)</li> </ul> Note: Automute is available for PCM only
[3]	AUTOMUTE_EN_CH4	<ul style="list-style-type: none"> <li>1'b0: Disables ch4 automute</li> <li>1'b1: Enables ch4 automute (default)</li> </ul> Note: Automute is available for PCM only
[2]	AUTOMUTE_EN_CH3	<ul style="list-style-type: none"> <li>1'b0: Disables ch3 automute</li> <li>1'b1: Enables ch3 automute (default)</li> </ul> Note: Automute is available for PCM only
[1]	AUTOMUTE_EN_CH2	<ul style="list-style-type: none"> <li>1'b0: Disables ch2 automute</li> <li>1'b1: Enables ch2 automute (default)</li> </ul> Note: Automute is available for PCM only
[0]	AUTOMUTE_EN_CH1	<ul style="list-style-type: none"> <li>1'b0: Disables ch1 automute</li> <li>1'b1: Enables ch1 automute (default)</li> </ul> Note: Automute is available for PCM only

## Register 125-124: AUTOMUTE TIME

Bits	[15:12]	[11]	[10:0]
Default	4'd0	1'b1	11'd15

Bits	Mnemonic	Description
[15:12]	RESERVED	NA
[11]	AUTOMUTE_RAMP_TO_GROUND	<ul style="list-style-type: none"> <li>1'b0: When ramped to min volume during normal mute, do not soft ramp to ground</li> <li>1'b1: When ramped to min volume during normal mute, soft ramp to ground for power saving (default)</li> </ul> normal mute includes: automute, mute by register, mute by GPIO
[10:0]	AUTOMUTE_TIME	Configures the amount of time in seconds the audio must remain below AUTOMUTE_LEVEL before an automute condition is flagged. Valid from 0 (disabled) to 11'h7FF (fastest), where 11'h001 is the slowest $Time [s] = \frac{2^{18}}{AUTOMUTE\_TIME * FS}$

## Register 127-126: AUTOMUTE LEVEL

Bits	[15:0]
Default	16'0008



## ES9039MPRO & ES9039PRO Product Brief

Bits	Mnemonic	Description
[15:0]	AUTOMUTE_LEVEL	Configures the threshold which the audio must be below before an automute condition is flagged. Valid from: 16'hFFFF (-42dB) to 16'h0001 (-132dB) Shift right 1 bit corresponds to -6dB Note: this register works in tandem with AUTOMUTE_TIME to create the automute condition

### Register 129-128: AUTOMUTE OFF LEVEL

Bits	[15:0]
Default	16'000A

Bits	Mnemonic	Description
[15:0]	AUTOMUTE_OFF_LEVEL	Configures the threshold which the audio must be above before the automute condition is cleared (cleared immediately). Valid from: 16'hFFFF (-42dB) to 16'h0001 (-132dB) Shift right 1 bit corresponds to -6dB

### Register 130: SOFT RAMP CONFIG

Bits	[7:5]	[4:0]
Default	3'd0	5'd3

Bits	Mnemonic	Description
[7:5]	RESERVED	NA
[4:0]	SOFT_RAMP_TIME	Sets the amount of time that it takes to perform a soft start ramp. This time affects both ramp to ground and ramp to AVCC/2. Valid from 0 to 20 (inclusive). $Time [s] = 4096 * \frac{2^{SOFT\_RAMP\_TIME + 1}}{CLK_{DAC}[Hz]}$

### Register 134-131: RESERVED

## ES9039MPRO &amp; ES9039PRO Datasheet



## Register 135: PROGRAM RAM CONTROL

Bits	[7:2]	[1]	[0]
Default	6'd0	1'b0	1'b0

Bits	Mnemonic	Description
[7:2]	RESERVED	NA
[1]	PROG_COEFF_WE	Enables writing to the programmable coefficient RAM. <ul style="list-style-type: none"> <li>1'b0: Disables write signal to the coefficient RAM (default).</li> <li>1'b1: Enables write signal to the coefficient RAM.</li> </ul>
[0]	PROG_COEFF_EN	Enables the custom oversampling filter coefficients. <ul style="list-style-type: none"> <li>1'b0: Uses a built-in filter selected by filter_shape (default).</li> <li>1'b1: Uses the coefficients programmed via prog_coeff_data.</li> </ul>

## Register 136: RESERVED

## Register 137: PROGRAM RAM ADDRESS

Bits	[7]	[6:0]
Default	1'b0	7'd0

Bits	Mnemonic	Description
[7]	PROG_COEFF_STAGE	Selects which stage of the filter to write. <ul style="list-style-type: none"> <li>1'b0: Selects the 2x stage of the oversampling filter (default).</li> <li>1'b1: Selects the 4x stage of the oversampling filter.</li> </ul>
[6:0]	PROG_COEFF_ADDR	Selects the coefficient address when writing custom coefficients for the oversampling filter.

## Register 140-138: PROGRAM RAM DATA

Bits	[23:0]
Default	24'd0

Bits	Mnemonic	Description
[23:0]	PROG_COEFF_IN	A 24bit signed filter coefficient that will be written to the address defined in prog_coeff_addr.



## ES9039MPRO & ES9039PRO Product Brief

### Register 141: MQA CONFIG

Bits	[7:3]	[2:1]	[0]
Default	5'b10000	2'b00	1'b0

Bits	Mnemonic	Description
[7:3]	RESERVED	NA
[2:1]	MQB_READER_ENABLE	Enable the MQB stream reader <ul style="list-style-type: none"> <li>2'b00: The MQB stream reader is disabled. (default)</li> <li>2'b01: The MQB stream reader is enabled (Normal Operation, 24-bit)</li> <li>2'b10: The MQB stream reader is enabled (16-bit)</li> <li>2'b11: Reserved</li> </ul> Note: ES9039MPRO has a MQA renderer built in, MQA stream must be decoded by MQA core decoder first.
[0]	MQA_RENDERING_ENABLE	This allows the Sabre ES9039MPRO to render decoded MQA streams. <ul style="list-style-type: none"> <li>1'b0: Disabled (default)</li> <li>1'b1: Enabled</li> </ul>

### Register 145-142: RESERVED



## ES9039MPRO &amp; ES9039PRO Datasheet



## Readback Registers

## Register 224: SYS READ

Bits	[7:4]	[3:2]	[1]	[0]
Default	-	-	-	-

Bits	Mnemonic	Description
[7:4]	RESERVED	NA
[3:2]	MODES	Chip mode readback. Based off MODE Pin <ul style="list-style-type: none"> <li>• 2'b00: I2C</li> <li>• 2'b11: SPI</li> </ul> Note: All other values are invalid
[1]	ADDR1	I2C address select bit 1 readback.
[0]	ADDR0	I2C address select bit 0 readback.

## Register 225: CHIP ID READ

Bits	[7:0]
Default	-

Bits	Mnemonic	Description
[7:0]	CHIP_ID	Chip ID.

## Register 228-227: RESERVED



## ES9039MPRO & ES9039PRO Product Brief

### Register 233-229: INTERRUPT STATE

Bits	[39:32]	[31:30]	[29]	[28:26]	[25]	[24]	[23:16]	[15:8]	[7:0]
Default	-	-	-	-	-	-	-	-	-

Bits	Mnemonic	Description
[39:32]	RESERVED	NA
[31:30]	INPUT_SELECT_OVERRIDE_STATE	State of the INPUT_SELECT_OVERRIDE interrupt. Note: Interrupt clear bits are required to reset value.
[29]	TDM_DATA_VALID_STATE	State of the TDM_DATA_VALID interrupt. Note: Interrupt clear bit is required to reset value.
[28:26]	RESERVED	NA
[25]	BCK_WS_FAIL_STATE	State of the BCK_WS_FAIL interrupt. Note: Interrupt clear bit is required to reset value.
[24]	DOP_VALID_STATE	State of the DOP_VALID interrupt. Note: Interrupt clear bit is required to reset value.
[23:16]	SS_FULL_RAMP_STATE	State of each channel's SS_FULL_RAMP interrupt. Note: Interrupt clear bit is required to reset value.
[15:8]	AUTOMUTE_STATE	State of each channel's AUTOMUTE_STATE interrupt. Note: Interrupt clear bit is required to reset value.
[7:0]	VOL_MIN_STATE	State of each channel's VOL_MIN_STATE interrupt. Note: Interrupt clear bit is required to reset value.

### Register 238-234: INTERRUPT SOURCE

Bits	[39:32]	[31:30]	[29]	[28:26]	[25]	[24]	[23:16]	[15:8]	[7:0]
Default	-	-	-	-	-	-	-	-	-

Bits	Mnemonic	Description
[39:32]	RESERVED	NA
[31:30]	INPUT_SELECT_OVERRIDE_SOURCE	Output of the AUTO_INPUT_SELECT logic.
[29]	TDM_DATA_VALID_SOURCE	TDM data valid flag.
[28:26]	RESERVED	NA
[25]	BCK_WS_FAIL_SOURCE	Validity of BCK, WS, and ASYNC_LOCK flag. Requires respective monitor bits to be set.
[24]	DOP_VALID_SOURCE	Valid DoP flag for Channels 1 and 2.
[23:16]	SS_FULL_RAMP_SOURCE	Channel flag for whether it is fully ramped up or down.
[15:8]	AUTOMUTE_SOURCE	Channel flag for whether it is automute is active.
[7:0]	VOL_MIN_SOURCE	Channel flag for whether the corresponding volume register = 0x00

## ES9039MPRO &amp; ES9039PRO Datasheet



## Register 239: RATIO VALID READ

Bits	[7]	[6:0]
Default	-	-

Bits	Mnemonic	Description
[7]	RATIO_VALID	Indicates validity of the CLK_DAC/CLK_IDAC ratio <ul style="list-style-type: none"> <li>• 1'b0: Invalid</li> <li>• 1'b1: Valid</li> </ul>
[6:0]	RESERVED	NA

## Register 240: GPIO READ

Bits	[7]	[6]	[5]	[4]	[3]	[2]	[1]	[0]
Default	-	-	-	-	-	-	-	-

Bits	Mnemonic	Description
[7]	GPIO8_I_READ	GPIO8 Readback
[6]	GPIO7_I_READ	GPIO7 Readback
[5]	GPIO6_I_READ	GPIO6 Readback
[4]	GPIO5_I_READ	GPIO5 Readback
[3]	GPIO4_I_READ	GPIO4 Readback
[2]	GPIO3_I_READ	GPIO3 Readback
[1]	GPIO2_I_READ	GPIO2 Readback
[0]	GPIO1_I_READ	GPIO1 Readback

## Register 241: VOL MIN READ

Bits	[7]	[6]	[5]	[4]	[3]	[2]	[1]	[0]
Default	-	-	-	-	-	-	-	-

Bits	Mnemonic	Description
[7]	VOL_MIN_CH8	Volume min flag ch8
[6]	VOL_MIN_CH7	Volume min flag ch7
[5]	VOL_MIN_CH6	Volume min flag ch6
[4]	VOL_MIN_CH5	Volume min flag ch5
[3]	VOL_MIN_CH4	Volume min flag ch4
[2]	VOL_MIN_CH3	Volume min flag ch3
[1]	VOL_MIN_CH2	Volume min flag ch2
[0]	VOL_MIN_CH1	Volume min flag ch1



## ES9039MPRO & ES9039PRO Product Brief

### Register 242: AUTOMUTE READ

Bits	[7]	[6]	[5]	[4]	[3]	[2]	[1]	[0]
Default	-	-	-	-	-	-	-	-

Bits	Mnemonic	Description
[7]	AUTOMUTE_CH8	Automute status ch8
[6]	AUTOMUTE_CH7	Automute status ch7
[5]	AUTOMUTE_CH6	Automute status ch6
[4]	AUTOMUTE_CH5	Automute status ch5
[3]	AUTOMUTE_CH4	Automute status ch4
[2]	AUTOMUTE_CH3	Automute status ch3
[1]	AUTOMUTE_CH2	Automute status ch2
[0]	AUTOMUTE_CH1	Automute status ch1

### Register 243: SOFT RAMP UP READ

Bits	[7]	[6]	[5]	[4]	[3]	[2]	[1]	[0]
Default	-	-	-	-	-	-	-	-

Bits	Mnemonic	Description
[7]	SS_RAMP_UP_CH8	Soft ramped up flag ch8
[6]	SS_RAMP_UP_CH7	Soft ramped up flag ch7
[5]	SS_RAMP_UP_CH6	Soft ramped up flag ch6
[4]	SS_RAMP_UP_CH5	Soft ramped up flag ch5
[3]	SS_RAMP_UP_CH4	Soft ramped up flag ch4
[2]	SS_RAMP_UP_CH3	Soft ramped up flag ch3
[1]	SS_RAMP_UP_CH2	Soft ramped up flag ch2
[0]	SS_RAMP_UP_CH1	Soft ramped up flag ch1

### Register 244: SOFT RAMP DOWN READ

Bits	[7]	[6]	[5]	[4]	[3]	[2]	[1]	[0]
Default	-	-	-	-	-	-	-	-

Bits	Mnemonic	Description
[7]	SS_RAMP_DOWN_CH8	Soft ramped down flag ch8
[6]	SS_RAMP_DOWN_CH7	Soft ramped down flag ch7
[5]	SS_RAMP_DOWN_CH6	Soft ramped down flag ch6
[4]	SS_RAMP_DOWN_CH5	Soft ramped down flag ch5
[3]	SS_RAMP_DOWN_CH4	Soft ramped down flag ch4
[2]	SS_RAMP_DOWN_CH3	Soft ramped down flag ch3
[1]	SS_RAMP_DOWN_CH2	Soft ramped down flag ch2
[0]	SS_RAMP_DOWN_CH1	Soft ramped down flag ch1

## ES9039MPRO &amp; ES9039PRO Datasheet



## Register 245: SPDIF, TDM, DOP, AND INPUT READBACK

Bits	[7]	[6]	[5:2]	[1:0]
Default	-	-	-	-

Bits	Mnemonic	Description
[7]	SPDIF_VALID	S/PDIF valid flag
[6]	TDM_DATA_VALID	TDM valid data flag
[5:2]	DOP_VALID	DoP valid flag
[1:0]	INPUT_SELECT_OVERRIDE	AUTO_INPUT_SEL value

## Register 248-246: PROG COEFF OUT READ

Bits	[23:0]
Default	-

Bits	Mnemonic	Description
[23:0]	PROG_COEFF_OUT	Programmable FIR coefficient readback

## Register 250-249: RESERVED

## Register 251: SPDIF DATA READ

Bits	[7:0]
Default	-

Bits	Mnemonic	Description
[7:0]	RESERVED	NA



# ES9039MPRO & ES9039PRO Product Brief

## ES9039MPRO/ES9039PRO Reference Schematic

### Hardware (HW) mode

-- All AVCC\_L pins must be powered with an ultra-low-noise regulator --

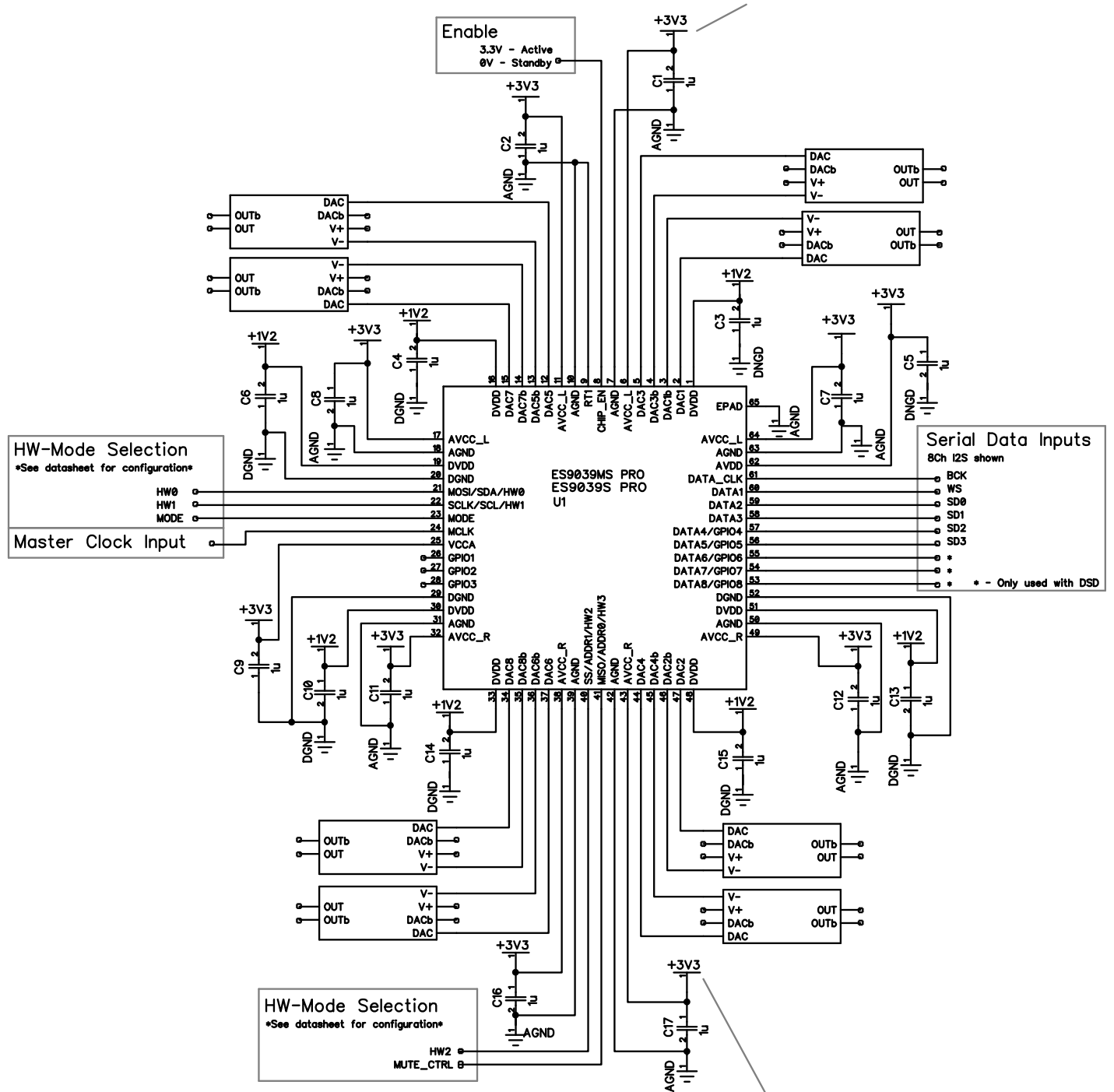
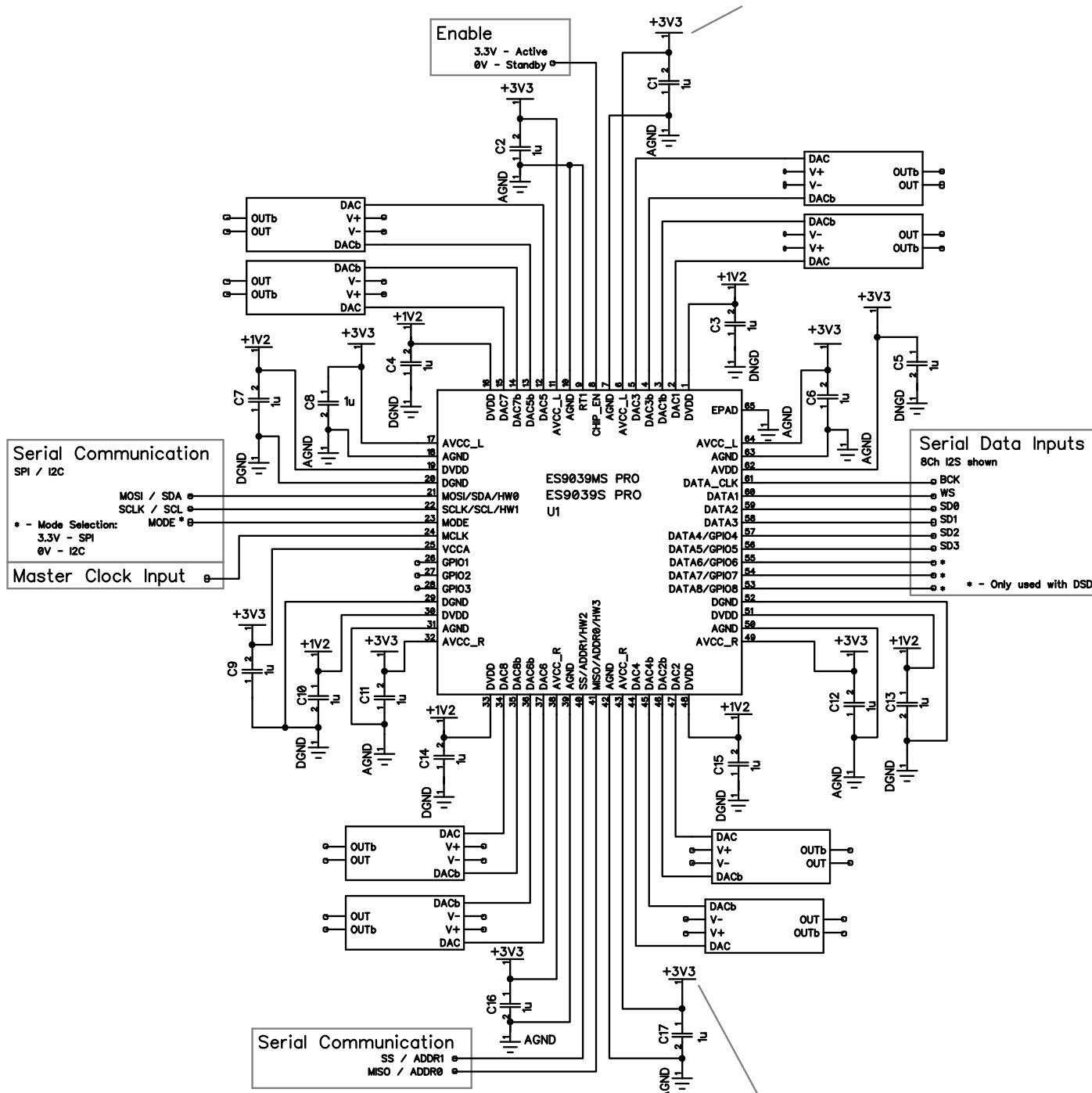


Figure 12 – HW mode reference schematic

Software Mode

-- All AVCC\_L pins must be powered with an ultra-low-noise regulator --



-- All AVCC\_R pins must be powered with an ultra-low-noise regulator --

Figure 13 – Software mode reference schematic



Output Stage (for Reference)

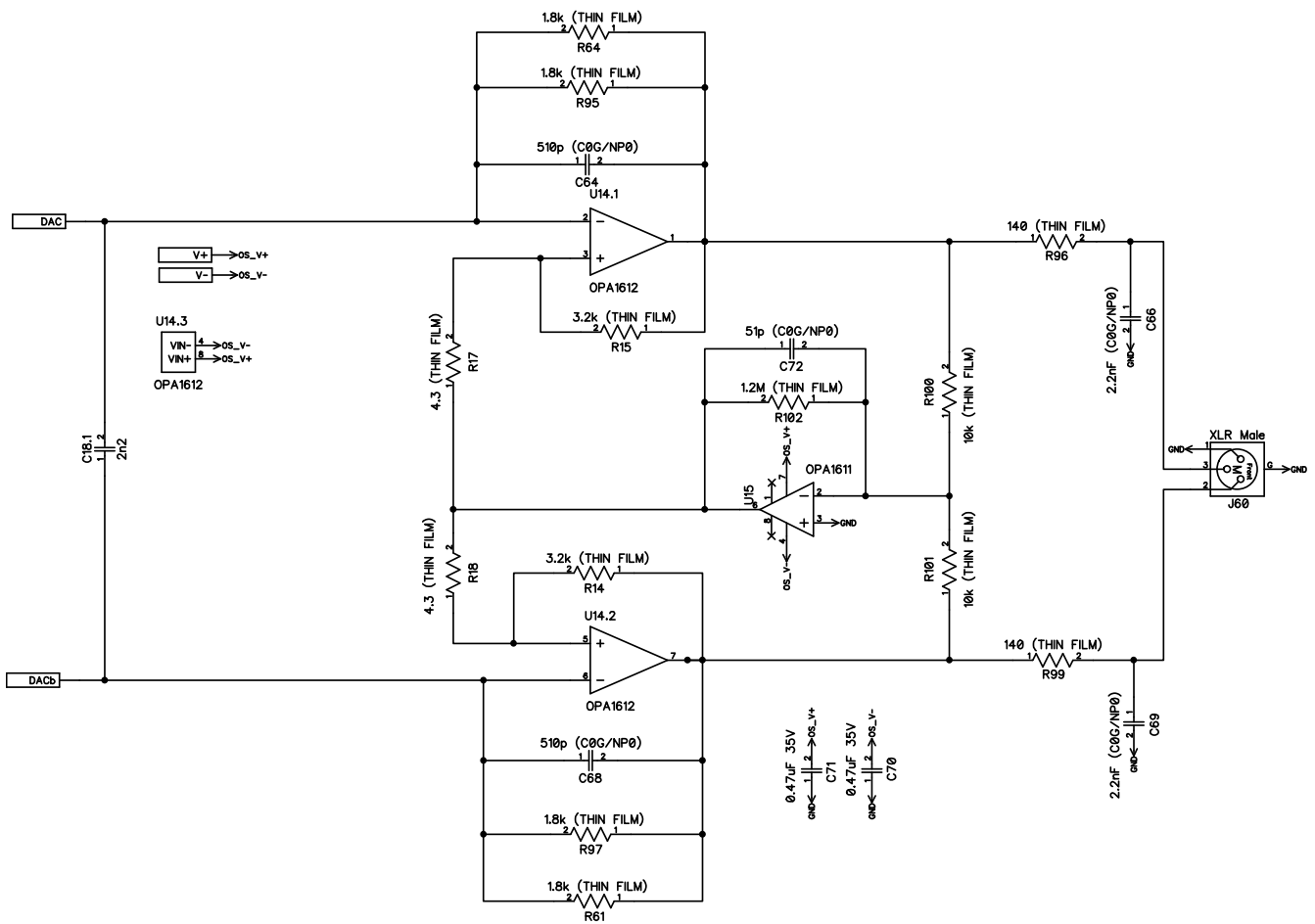
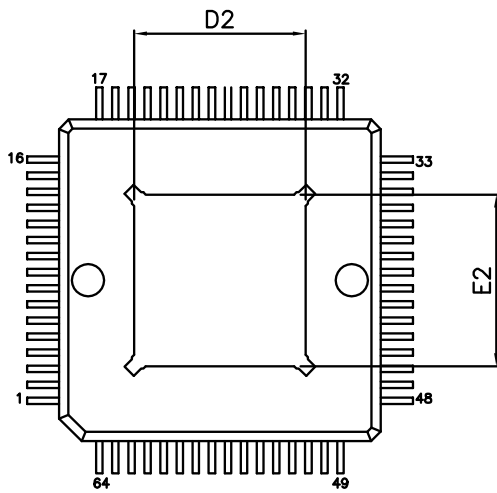
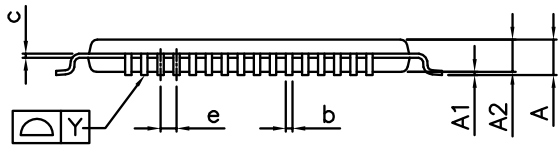
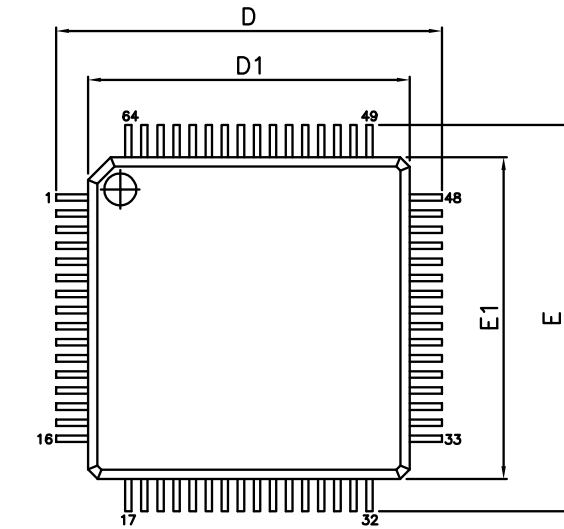


Figure 14 – Software mode reference schematic



64 eTQFP Package Dimensions



PAD SIZE : 210X210 MIL

(THERMALLY ENHANCED VARIATIONS ONLY)

VARIATIONS (ALL DIMENSIONS SHOWN IN MM)

SYMBOLS	MIN.	NOM.	MAX.
A	—	—	1.20
A1	0.05	—	0.15
A2	0.95	1.00	1.05
D	11.75	12.00	12.25
D1	9.90	10.00	10.10
E	11.75	12.00	12.25
E1	9.90	10.00	10.10
b	0.17	0.22	0.27
c	0.09	—	0.20
L	0.45	0.60	0.75
L1	1.00 REF		
e	0.50 BSC		
$\theta$	0°	3.5°	7°
Y	0.08		

THERMALLY ENHANCED DIMENSIONS(SHOWN IN MM)

PAD SIZE	D2		E2	
	MIN.	MAX.	MIN.	MAX.
210X 210 MIL	5.13	5.48	5.13	5.48

NOTES:

- JEDEC OUTLINE : MS-026 ACD. MS-026 ACD-HD (THERMALLY ENHANCED VARIATIONS ONLY).
- DATUM PLANE [H] IS LOCATED AT THE BOTTOM OF THE MOLD PARTING LINE COINCIDENT WITH WHERE THE LEAD EXITS THE BODY.
- DIMENSIONS D1 AND E1 DO NOT INCLUDE MOLD PROTRUSION. ALLOWABLE PROTRUSION IS 0.25 mm PER SIDE. DIMENSIONS D1 AND E1 DO INCLUDE MOLD MISMATCH AND ARE DETERMINED AT DATUM PLANE [H].
- DIMENSION b DOES NOT INCLUDE DAMBAR PROTRUSION.

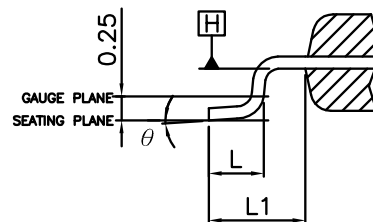


Figure 15 – ES9039SPRO/ES9039MSPRO 64 eTQFP package dimensions



64 QFP Top View Marking

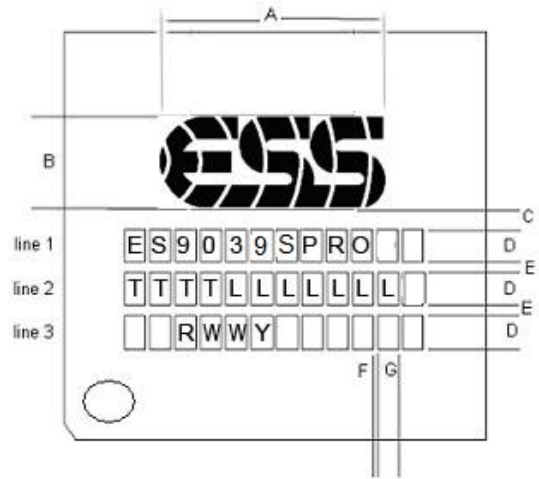


Figure 16 – ES9039SPRO Marking

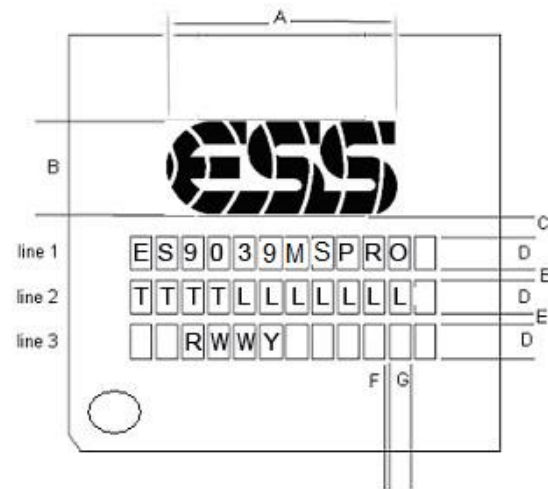


Figure 17 – ES9039MSPRO Marking

Package Type	Dimension in mm						
	A	B	C	D	E	F	G
64L eTQFP 10mm x 10mm	7.4	3.5	0.45	0.8	0.3	0.15	0.4

<b>T</b>	Tracking number
<b>W</b>	Work week
<b>Y</b>	Last digit of year
<b>L</b>	Lot number
<b>R</b>	Silicon Revision

## Reflow Process Considerations

### Temperature Controlled

For lead-free soldering, the characterization and optimization of the reflow process is the most important factor to consider.

The lead-free alloy solder has a melting point of 217°C. This alloy requires a minimum reflow temperature of 235°C to ensure good wetting. The maximum reflow temperature is in the 245°C to 260°C range, depending on the package size ([RPC-2 Pb-Free Process – Classification Temperatures \(T<sub>c</sub>\)](#)). This narrows the process window for lead-free soldering to 10°C to 20°C.

The increase in peak reflow temperature in combination with the narrow process window makes the development of an optimal reflow profile a critical factor for ensuring a successful lead-free assembly process. The major factors contributing to the development of an optimal thermal profile are the size and weight of the assembly, the density of the components, the mix of large and small components, and the paste chemistry being used. Reflow profiling needs to be performed by attaching calibrated thermocouples well adhered to the device as well as other critical locations on the board to ensure that all components are heated to temperatures above the minimum reflow temperatures and that smaller components do not exceed the maximum temperature limits (Table RPC-2).

To ensure that all packages can be successfully and reliably assembled, the reflow profiles studied and recommended by ESS are based on the JEDEC/IPC standard J-STD-020 revision D.1.

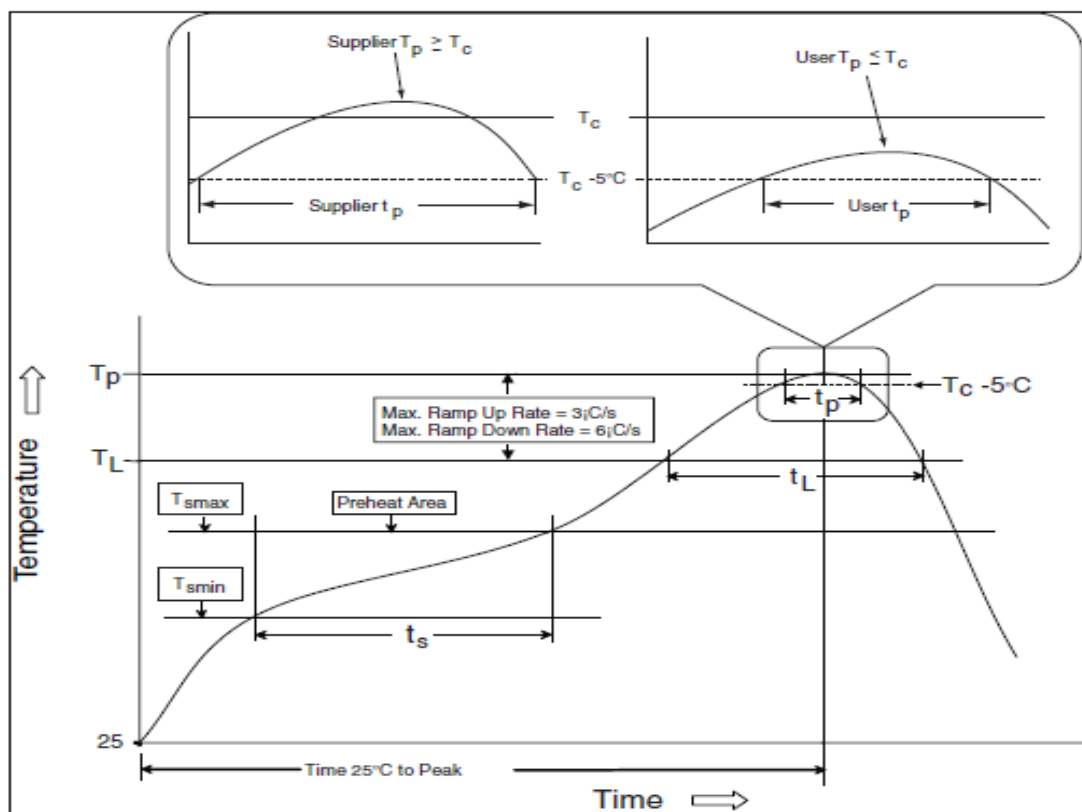


Figure 18 – IR/Convection Reflow Profile (IPC/JEDEC J-STD-020D.1)

Reflow is allowed 3 times. Caution must be taken to ensure time between re-flow runs does not exceed the allowed time by the moisture sensitivity label. If the time elapsed between the re-flows exceeds the moisture sensitivity time bake the board according to the moisture sensitivity label instructions.

### Manual

Allowed up to 2 times with maximum temperature of 350°C no longer than 3 seconds.



## RPC-1 Classification reflow profile

Profile Feature	Pb-Free Assembly
<b>Preheat/Soak</b>	
Temperature Min (T <sub>min</sub> )	150°C
Temperature Max (T <sub>max</sub> )	200°C
Time (ts) from (T <sub>min</sub> to T <sub>max</sub> )	60-120 seconds
Ramp-up rate (TL to T <sub>p</sub> )	3°C / second maximum
Liquidous temperature (TL)	217°C
Time (t <sub>L</sub> ) maintained above TL	60-150 seconds
Peak package body temperature (T <sub>p</sub> )	For users T <sub>p</sub> must not exceed the classification temp in Table RPC-2. For suppliers T <sub>p</sub> must equal or exceed the Classification temp in Table RPC-2.
Time (t <sub>p</sub> )* within 5°C of the specified classification temperature (T <sub>c</sub> )	30* seconds
Ramp-down rate (T <sub>p</sub> to TL)	6°C / second maximum
Time 25°C to peak temperature	8 minutes maximum
* Tolerance for peak profile temperature (T <sub>p</sub> ) is defined as a supplier minimum and a user maximum.	

Table 10 – RPC-1 Classification reflow profile

All temperatures refer to the center of the package, measured on the package body surface that is facing up during assembly reflow (e.g., live-bug). If parts are reflowed in other than the normal live-bug assembly reflow orientation (i.e., dead-bug), T<sub>p</sub> shall be within  $\pm 2^\circ\text{C}$  of the live-bug T<sub>p</sub> and still meet the T<sub>c</sub> requirements, otherwise, the profile shall be adjusted to achieve the latter. To accurately measure actual peak package body temperatures, refer to JEP140 for recommended thermocouple use.

Reflow profiles in this document are for classification/preconditioning and are not meant to specify board assembly profiles. Actual board assembly profiles should be developed based on specific process needs and board designs and should not exceed the parameters in Table RPC-1.

*For example, if T<sub>c</sub> is 260°C and time t<sub>p</sub> is 30 seconds, this means the following for the supplier and the user.*

*For a supplier: The peak temperature must be at least 260°C. The time above 255°C must be at least 30 seconds.*

*For a user: The peak temperature must not exceed 260°C. The time above 255°C must not exceed 30 seconds.*

All components in the test load shall meet the classification profile requirements.

## ES9039MPRO &amp; ES9039PRO Datasheet



## RPC-2 Pb-Free Process – Classification Temperatures (Tc)

Package Thickness	Volume mm <sup>3</sup> , <350	Volume mm <sup>3</sup> , 350 to 2000	Volume mm <sup>3</sup> , >2000
<1.6 mm	260°C	260°C	260°C
1.6 mm – 2.5 mm	260°C	250°C	245°C
>2.5 mm	250°C	245°C	245°C

Table 11 – RPC-2 Pb free classification temperatures

At the discretion of the device manufacturer, but not the board assembler/user, the maximum peak package body temperature (T<sub>p</sub>) can exceed the values specified in Table RPC-2. The use of a higher T<sub>p</sub> does not change the classification temperature (T<sub>c</sub>).

Package volume excludes external terminals (e.g., balls, bumps, lands, leads) and/or nonintegral heat sinks.

The maximum component temperature reached during reflow depends on package thickness and volume. The use of convection reflow processes reduces the thermal gradients between packages. However, thermal gradients due to differences in thermal mass of SMD packages may still exist.



## ES9039MPRO & ES9039PRO Product Brief

### Ordering Information

Part Number	Description	Package
ES9039MSPRO	SABRE PRO 32-bit 8 Channel Flagship DAC and MQA renderer	10mm x 10mm 64 eTQFP
ES9039SPRO	SABRE PRO 32-bit 8 Channel Flagship DAC	

### Revision History

Current Version 0.2.1

Rev.	Date	Notes
0.1.3	June, 2022	Initial release
0.2.1	Sept, 2022	<ul style="list-style-type: none"> <li>Pin Description correction for pins 49 &amp; 50</li> <li>Added note on DoP (HW modes 16-18) usage in HW mode to Hardware Mode Pin Configurations</li> <li>Updated digital signal path diagram</li> <li>Updated Registers 1[6],5,58[4:3],64-71,82-84, 130, 135,137,140-138, 106-99</li> <li>Updated Registers 47-46[15] Description</li> <li>Updated HW mode table &amp; added HW feature tables</li> <li>Unreserved Register 89[2:0] IIR_BW</li> <li>Added reference output stage schematic</li> <li>Updated Hardware mode configuration diagram</li> <li>Added Notes to Hardware Mode Audio Input Format Compatibility table, renamed table</li> <li>Modified Performance table to add more details on output levels</li> <li>Changed Audio Input Format name to PCM from I2S to be more inclusive of subsets</li> </ul>

## ES9039MPRO & ES9039PRO Datasheet



© 2022 ESS Technology, Inc.

*ESS IC's are not intended, authorized, or warranted for use as components in military applications, medical devices or life support systems. ESS assumes no liability and disclaims any expressed, implied or statutory warranty for use of ESS IC's in such unsuitable applications.*

*No part of this publication may be reproduced, stored in a retrieval system, transmitted, or translated in any form or by any means, electronic, mechanical, manual, optical, or otherwise, without the prior written permission of ESS Technology, Inc. ESS Technology, Inc. makes no representations or warranties regarding the content of this document. All specifications are subject to change without prior notice. ESS Technology, Inc. assumes no responsibility for any errors contained herein. U.S. patents pending.*

## X-ON Electronics

Largest Supplier of Electrical and Electronic Components

*Click to view similar products for [Digital to Analog Converters - DAC category](#):*

*Click to view products by [ESS Tech manufacturer](#):*

Other Similar products are found below :

[TCC-103A-RT](#) [057536E](#) [702423BB](#) [TCC-202A-RT](#) [TCC-303A-RT](#) [TCC-206A-RT](#) [MCP48FEB28T-20E/ST](#) [MCP47FVB04T-E/MQ](#)  
[MCP48FEB28T-E/MQ](#) [MCP48FVB28T-20E/ST](#) [MCP47FVB28T-20E/ST](#) [MCP47FEB24T-E/MQ](#) [MCP48FVB24T-E/MQ](#) [MCP48FVB18T-20E/ST](#) [MCP48FVB14T-20E/ST](#) [MCP48FEB08T-E/MQ](#) [MCP47FEB08T-E/MQ](#) [MCP48FVB08T-20E/ST](#) [MCP48FEB04T-20E/ST](#)  
[MCP47FEB04T-E/MQ](#) [MCP48FVB04T-20E/ST](#) [MCP47FVB04T-20E/ST](#) [HT7125ARQZ](#) [MCP4725A3T-E/CH](#) [MCP47DA1T-A1E/OT](#)  
[MCP4921-E/MC](#) [UC3910D](#) [DAC39J84IAAV](#) [DAC8218SPAG](#) [DAC8562TDSCR](#) [AD5694BCPZ-RL7](#) [AD5667BRMZ-REEL7](#) [BH2223FV-E2](#) [MAX5805BATB+T](#) [BU2508FV-E2](#) [BH2226F-E2](#) [DAC8554IPWR](#) [TLC5615IDR](#) [DAC900TPWRQ1](#) [THS5661AIPWR](#) [THS5661AIPW](#)  
[AD5689RTCPZ-EP-RL7](#) [MAX5318GUG+](#) [MAX5705BAUB+](#) [MCP4821-EMC](#) [MAX5814AUD+](#) [MAX5820MEUA+](#) [LTC1663-8CMS8#PBF](#) [DAC38RF83IAAV](#) [LTC2640AITS8-HZ12#TRMPBF](#)