

RECOMMENDED PCB LAYOUT

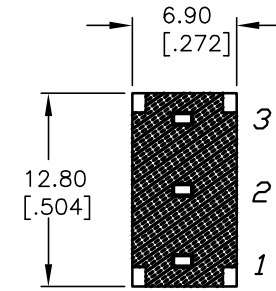
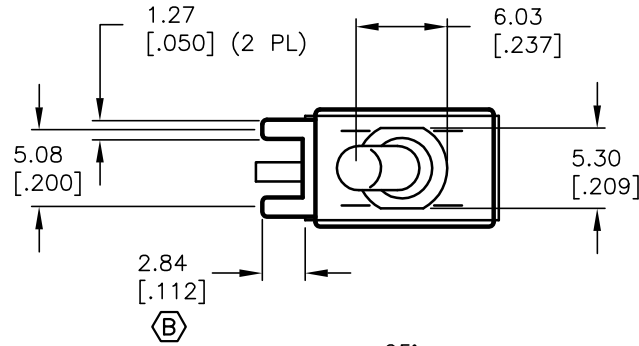


SPDT CIRCUIT CONTACT CONFIGURATION

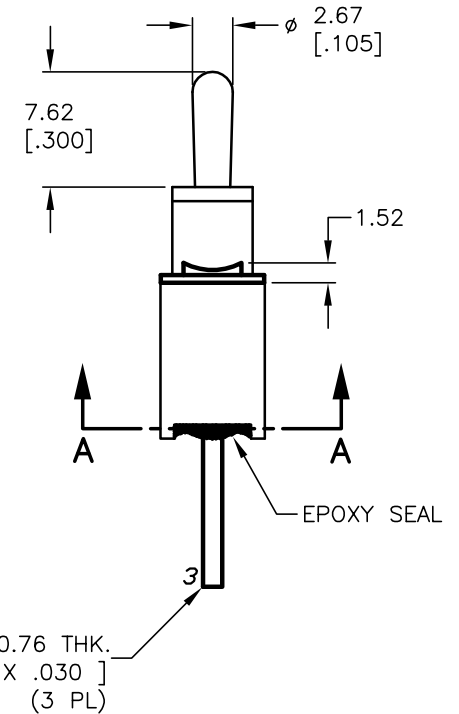
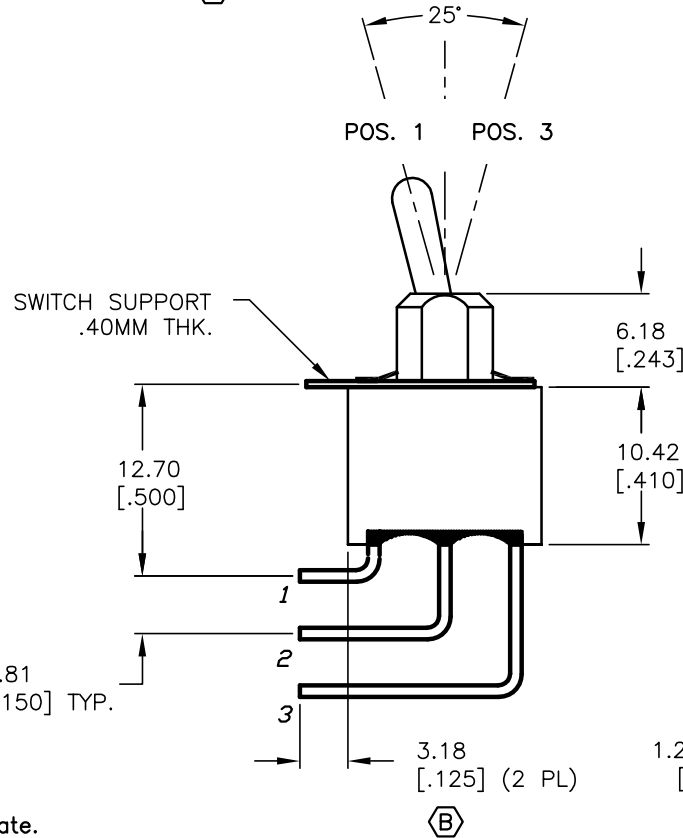
SWITCH FUNCTION		
POS. 1	POS. 2	POS. 3
(ON)	OFF	(ON)
2-3	OPEN	2-1

NOTES:

- ALL DIMENSIONS IN MM [INCH]
- GENERAL TOLERANCE: X.X=±0.4
X.XX=±0.25
- TERMINAL NUMBERS FOR REF ONLY
- RATING: 0.4(VA) Max. @20V (AC or DC)
- FIXED TERM. & MOVING CONTACT: Cu Alloy w/Gold plate over Ni plate.
- ELECTRIC LIFE: 50,000 make-and-break cycles at full load.
- INSULATION RESISTANCE: 1,000 Mega-ohm min.
- DIELECTRIC STRENGTH: 1,000 V RMS @sea level.
- OPERATING TEMP.: -30°C to 85°C



SECTION A-A



B	14181	3.18 WAS 4.50, 2.84 WAS 3.18	7/21/04	AR
A	13613	RELEASED FOR PRODUCTION	11/19/03	AR
REV.	ECN No.	DESCRIPTION	DATE	CHKD

THE INFORMATION CONTAINED IN THIS DOCUMENT IS PROPRIETARY TO E-SWITCH AND IS NOT TO BE COPIED OR TRANSFERRED

E-SWITCH®

TITLE
100AWSP4T2B4M7RE

SCALE 2:1	DATE 11/19/03	DR AR	DWG T104003	REV B
--------------	------------------	----------	----------------	----------

X-ON Electronics

Largest Supplier of Electrical and Electronic Components

Click to view similar products for [Toggle Switches](#) category:

Click to view products by [E-Switch](#) manufacturer:

Other Similar products are found below :

[8928K478](#) [020017-13](#) [60012L](#) [6006L](#) [CS115W](#) [CS120W](#) [637H/25](#) [6663](#) [7101SPDV30BE](#) [7103SDV30BE](#) [7105D](#) [7108P3YAV2BE](#)
[71YY50282](#) [7300K36](#) [7301K38](#) [7306K36](#) [7310K36](#) [7506K4](#) [7592K6](#) [7660K12](#) [7691K14](#) [7700K1](#) [8396K108](#) [8824K14](#) [8828K13](#) [8835K3](#)
[8858K44](#) [PS83-121G](#) [1-1825192-0](#) [A201SCWZB04](#) [A207SYCB04](#) [A208J61ZQ0004](#) [A221T1TCQ](#) [A232M1YCQ](#) [A323S1CWZQ](#)
[A423S1CWZG-M8](#) [1201W](#) [12156AX408](#) [12147AGKX679](#) [12246X778](#) [12TW49-3D](#) [130312](#) [13037L](#) [13001X](#) [AE101MD1W4B04](#)
[AE208SD1W4B04](#) [MS24659-22D](#) [MS27407-5](#) [1520230-9](#) [1520231-1](#)