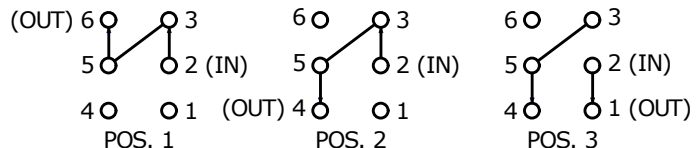
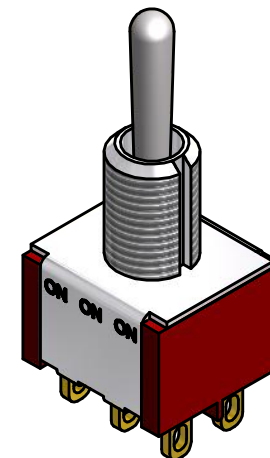
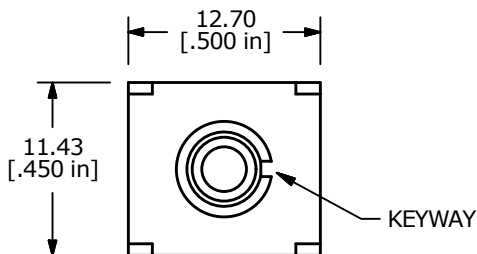
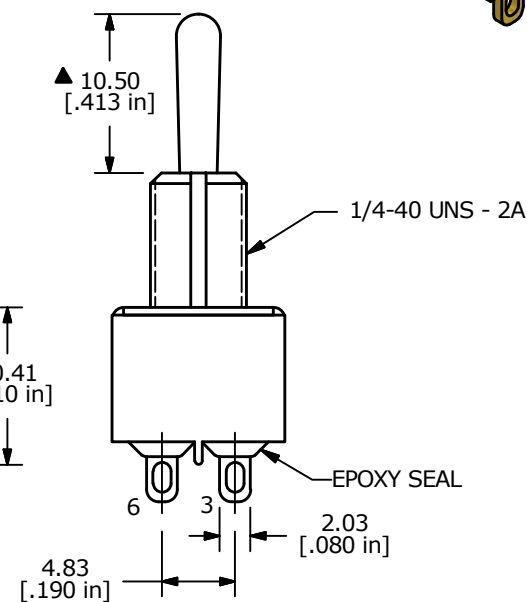
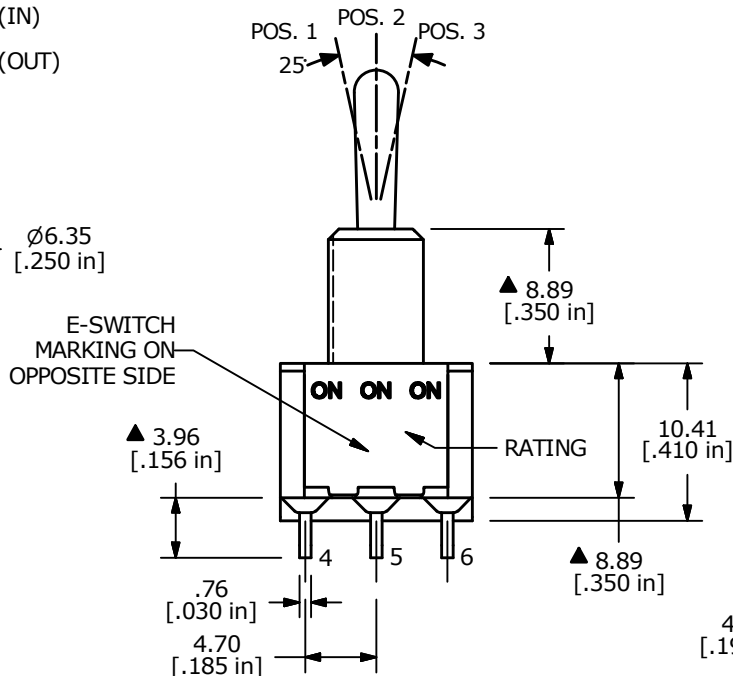
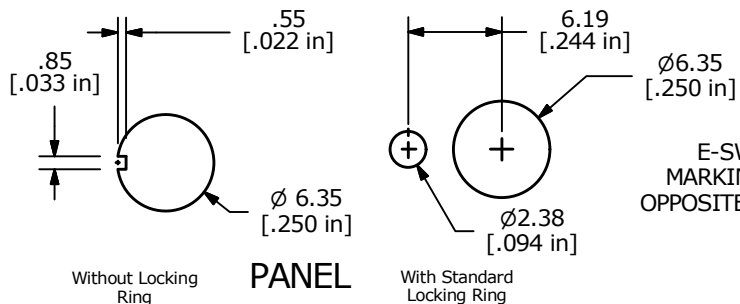


| SWITCH FUNCTION |          |          |
|-----------------|----------|----------|
| POS. 1          | POS. 2   | POS. 3   |
|                 |          |          |
| ON              | ON       | ON       |
| 2-3, 5-6        | 2-3, 5-4 | 2-1, 5-4 |



DPDT 3 WAY CIRCUIT  
NOTE: JUMPER PIN 3 TO 5



- NOTE:
1. ALL DIMENSIONS IN MM [INCH]
  2. GENERAL TOLERANCE: X.X=±0.4  
X.XX=±0.25
  3. TERMINAL NUMBERS FOR REF ONLY
  - ▲ 4. CONTACT MATERIAL: GOLD
  5. RATING: 0.4VA MAX. @ 20 VAC OR VDC MAX.
  6. CONTACT RESISTANCE: 10 Milli-OHMS MAX.
  7. LIFE EXPECTANCY: 40,000 MAKE-AND-BREAK CYCLES AT FULL LOAD.
  8. INSULATION RESISTANCE: 1,000 MEGA-OHM MIN.
  9. DIELECTRIC STRENGTH: 1,000 V RMS @SEA LEVEL.
  10. OPERATING TEMP.: -30°C to 85°C
  11. ▲ DENOTES CRITICAL PARAMETER.
  12. 2002/95/EC (ROHS) COMPLIANT



|                      |                 |        |             |       |
|----------------------|-----------------|--------|-------------|-------|
| TITLE 100DP6T1B1M1RE |                 |        |             |       |
| SCALE 2:1            | DATE 10/16/2009 | DR BLR | DWG T126064 | REV B |

|     |        |                       |          |     |
|-----|--------|-----------------------|----------|-----|
| B   | 22594  | UPDATED PIN NUMBERING | 11/17/16 | MJR |
| REV | PCR NO | DESCRIPTION           | DATE     | BY  |

THE INFORMATION CONTAINED IN THIS DOCUMENT IS PROPRIETARY TO E-SWITCH AND IS NOT TO BE COPIED OR TRANSFERRED

## X-ON Electronics

Largest Supplier of Electrical and Electronic Components

*Click to view similar products for [Toggle Switches](#) category:*

*Click to view products by [E-Switch](#) manufacturer:*

Other Similar products are found below :

[8928K478](#) [020017-13](#) [60012L](#) [6006L](#) [CS115W](#) [CS120W](#) [637H/25](#) [6663](#) [7101SPDV30BE](#) [7103SDV30BE](#) [7105D](#) [7108P3YAV2BE](#)  
[71YY50282](#) [7300K36](#) [7301K38](#) [7306K36](#) [7310K36](#) [7506K4](#) [7592K6](#) [7660K12](#) [7691K14](#) [7700K1](#) [8396K108](#) [8824K14](#) [8828K13](#) [8835K3](#)  
[8858K44](#) [PS83-121G](#) [1-1825192-0](#) [A201SCWZB04](#) [A207SYCB04](#) [A208J61ZQ0004](#) [A221T1TCQ](#) [A232M1YCQ](#) [A323S1CWZQ](#)  
[A423S1CWZG-M8](#) [1201W](#) [12156AX408](#) [12147AGKX679](#) [12246X778](#) [12TW49-3D](#) [130312](#) [13037L](#) [13001X](#) [AE101MD1W4B04](#)  
[AE208SD1W4B04](#) [MS24659-22D](#) [MS27407-5](#) [1520230-9](#) [1520231-1](#)