

SERIES 200A SWITCHES

TOGGLE SWITCHES - SUB-MINIATURE

TACT SWITCHES

NAVIGATION SWITCHES

PUSHBUTTON SWITCHES

TOGGLE SWITCHES

ROCKER SWITCHES

SLIDE SWITCHES

SNAP-ACTION SWITCHES

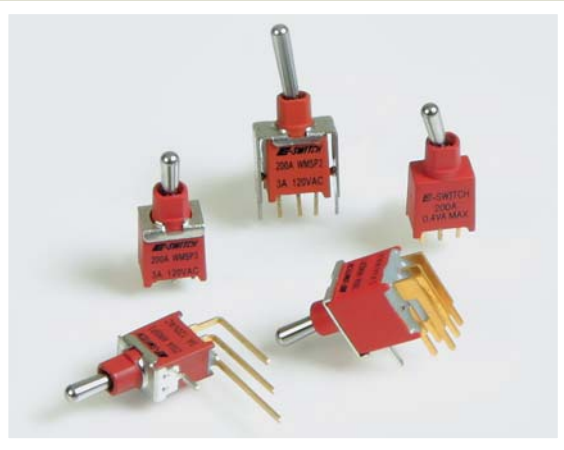
DIP SWITCHES

KEYLOCK SWITCHES

ROTARY SWITCHES

DETECTOR SWITCHES

CAP OPTIONS



FEATURES & BENEFITS

- ▶ Variety of switching functions
- ▶ Sub-miniature
- ▶ Multiple actuator & bushing options
- ▶ Sealed to IP67

APPLICATIONS/MARKETS

- ▶ Telecommunications
- ▶ Instrumentation
- ▶ Networking
- ▶ Medical equipment

SPECIFICATIONS

Contact Rating:	Dependent on contact material
Life Expectancy:	50,000 make-and-break cycles at full load
Contact Resistance:	Below 20 mΩ typ. initial @ 2-4 VDC, 100 mA, for both silver and gold plated contacts
Insulation Resistance:	1,000 MΩ1min.
Dielectric Strength:	1,000 V RMS min. @ sea level
Operating Temperature:	-30° C to 85° C
Seal Rated:	IP67

MATERIALS

Case & Bushing:	Glass filled nylon, flame retardant, heat stabilized (UL 94-V0)
Actuator:	Brass, chrome plated, internal O-ring seal standard for all actuators
Switch Support:	Brass, tin plated
Contacts / Terminals:	Silver or gold plated copper alloy
Terminal Seal:	Epoxy

HOW TO ORDER

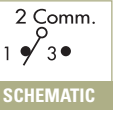
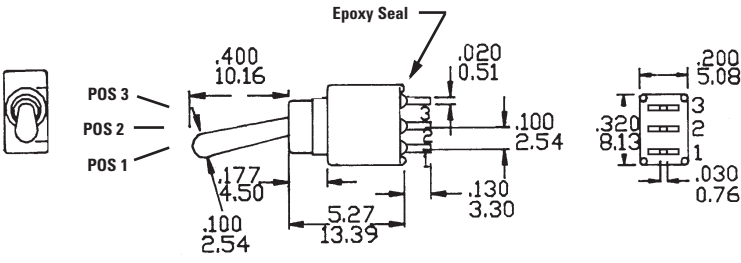
SERIES	MODEL NO.	ACTUATOR	BUSHING	TERMINATION	CONTACT MATERIAL	SEAL
200A	WMSP1 WMSP2 WMSP3 WMSP4 WMSP5 WMSP6*	T1 T2	A1	M2 M6 M61 M7 VS2	Q = Silver R = Gold	E = Epoxy Sealed at Base of Terminal

Example Ordering Number
200A-WMSP2-T1-A1-VS2-Q-E

*Only available with M2 or VS2 termination

Specifications subject to change without notice.

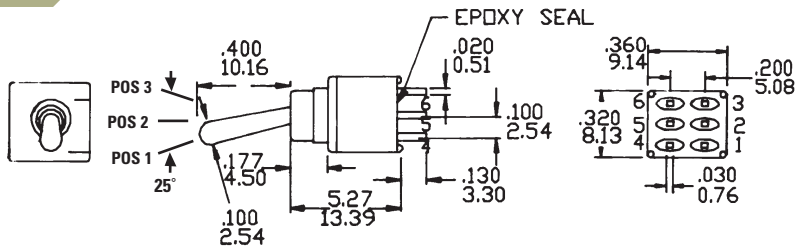
SPDT



Model No.	POS 1	POS 2	POS 3
WMSP-1	ON	NONE	ON
WMSP-2	ON	NONE	(ON)
WMSP-3	ON	OFF	ON
WMSP-4	(ON)	OFF	(ON)
WMSP-5	ON	OFF	(ON)
Term. Comm.	2-3	OPEN	2-1
WMSP-6	OFF	NONE	ON
Term. Comm.	OPEN	NONE	3-1

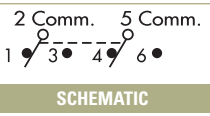
() = Momentary

DPDT

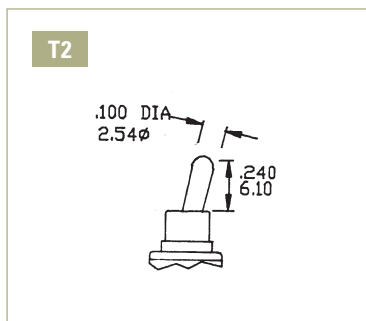
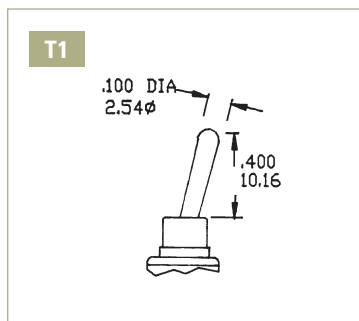


Model No.	POS 1	POS 2	POS 3
WMDP-1	ON	NONE	ON
WMDP-2	ON	NONE	(ON)
WMDP-3	ON	OFF	ON
Term. Comm.	2-3,5-6	OPEN	2-1,5-4

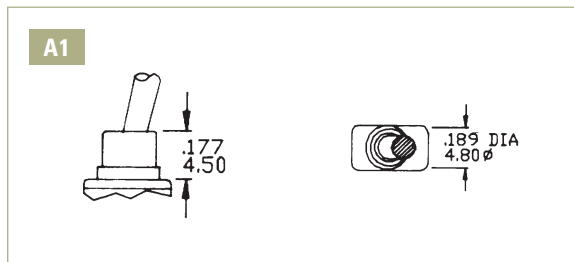
() = Momentary



ACTUATOR OPTIONS

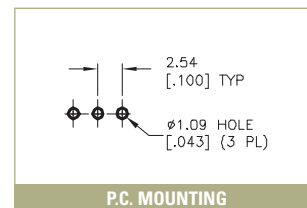
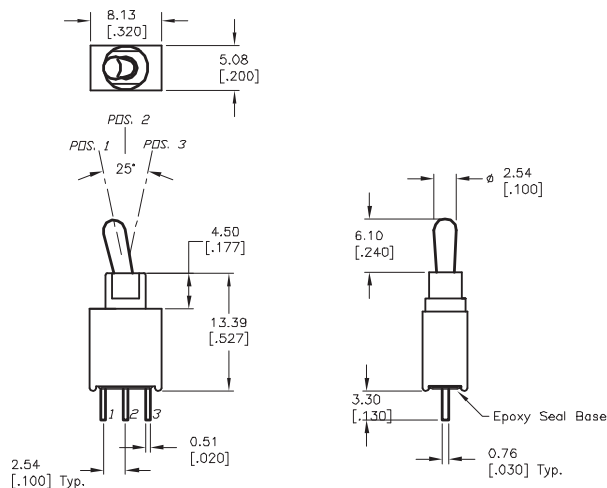


BUSHING OPTIONS



TERMINATION OPTIONS

M2



SERIES 200A SWITCHES

TOGGLE SWITCHES - SUB-MINIATURE

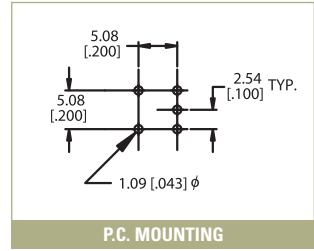
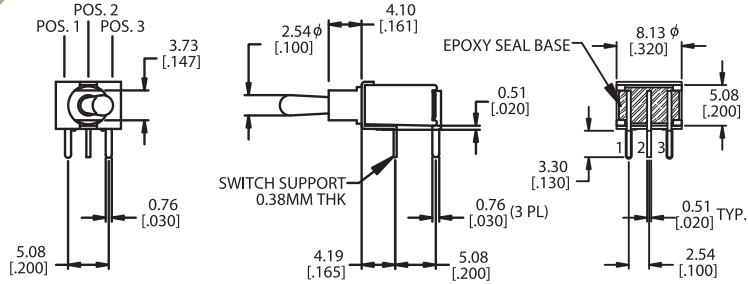
TACT SWITCHES

NAVIGATION SWITCHES

PUSHBUTTON SWITCHES

M6

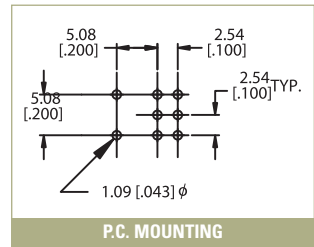
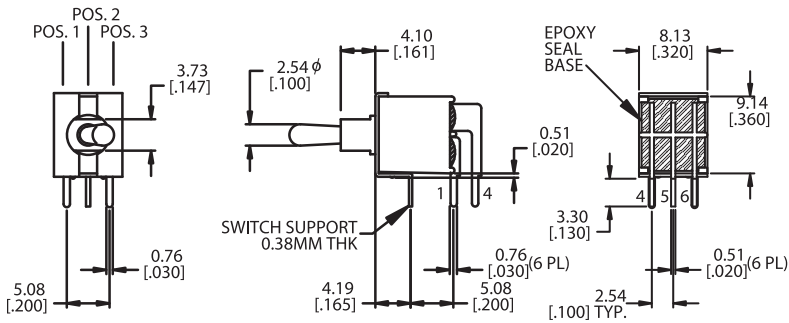
SPDT



TOGGLE SWITCHES

M6

DPDT

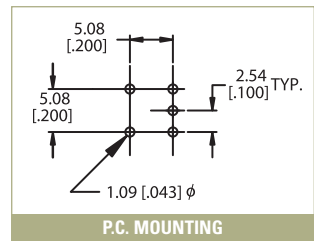
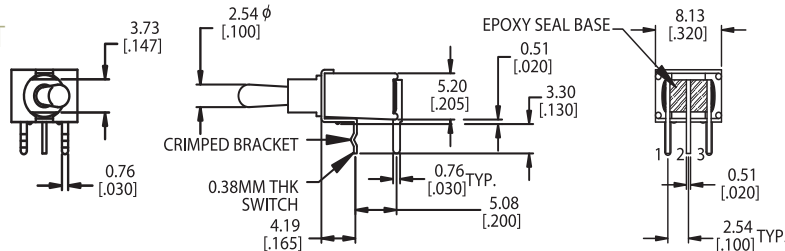


ROCKER SWITCHES

SLIDE SWITCHES

M61

SPDT
SNAP-IN BRACKET



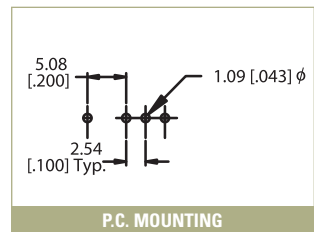
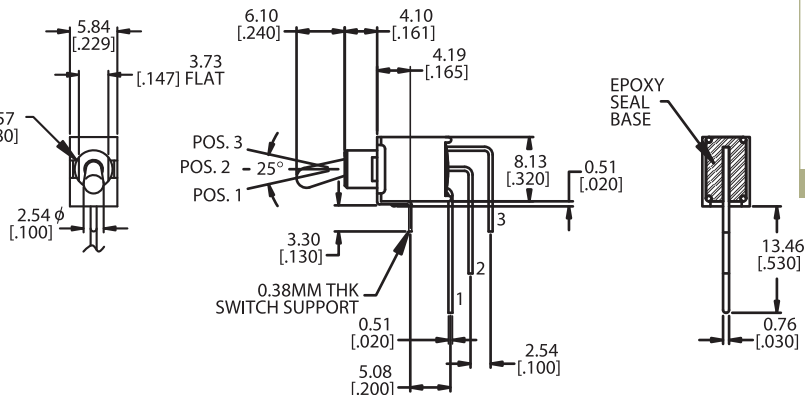
SNAP-ACTION SWITCHES

DIP SWITCHES

KEYLOCK SWITCHES

M7

SPDT



ROTARY SWITCHES

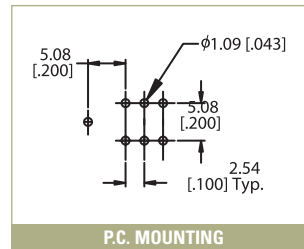
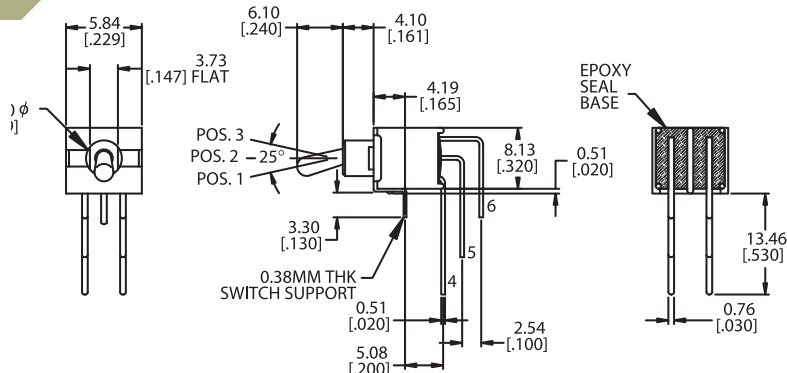
DETECTOR SWITCHES

CAP OPTIONS



M7

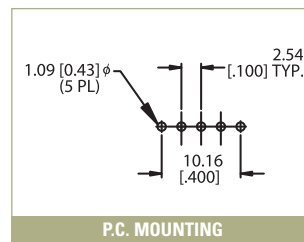
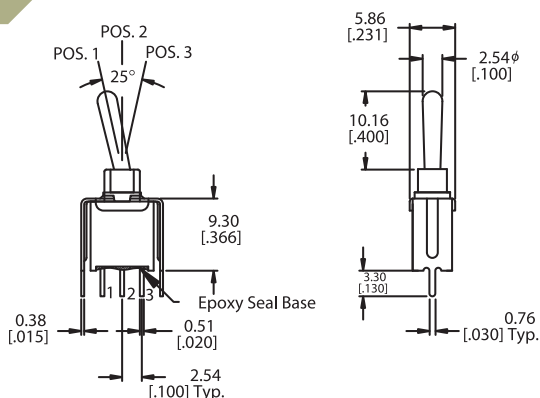
DPDT



P.C. MOUNTING

VS2

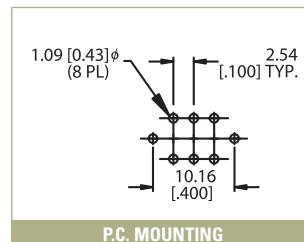
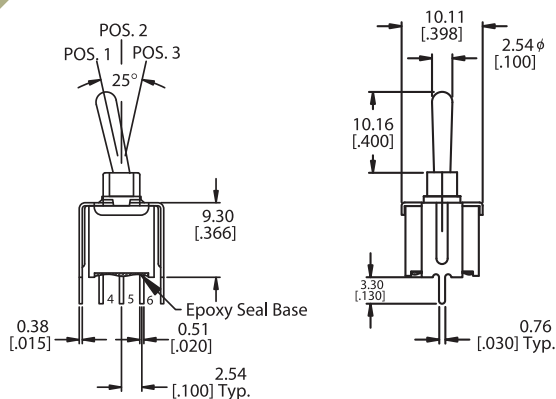
SPDT



P.C. MOUNTING

VS2

DPDT



P.C. MOUNTING

CONTACT MATERIAL OPTIONS

Q

Fixed Terminal:	Silver plated copper alloy
Moving Contact:	Silver plated copper alloy
Rating:	3 Amps @ 120VAC or 28VDC; 1 Amp @ 250VAC

R

Fixed Terminal:	Copper alloy with gold plate over nickel plate
Moving Contact:	Copper alloy with gold plate over nickel plate
Rating:	0.4 Volt-Amps (VA) max. @ 20V max. (AC or DC)

X-ON Electronics

Largest Supplier of Electrical and Electronic Components

Click to view similar products for [Toggle Switches](#) category:

Click to view products by [E-Switch](#) manufacturer:

Other Similar products are found below :

[8928K478](#) [020017-13](#) [60012L](#) [6006L](#) [CS115W](#) [CS120W](#) [637H/25](#) [6663](#) [7101SPDV30BE](#) [7103SDV30BE](#) [7105D](#) [7108P3YAV2BE](#)
[71YY50282](#) [7300K36](#) [7301K38](#) [7306K36](#) [7310K36](#) [7506K4](#) [7592K6](#) [7660K12](#) [7691K14](#) [7700K1](#) [8396K108](#) [8824K14](#) [8828K13](#) [8835K3](#)
[8858K44](#) [PS83-121G](#) [1-1825192-0](#) [A201SCWZB04](#) [A207SYCB04](#) [A208J61ZQ0004](#) [A221T1TCQ](#) [A232M1YCQ](#) [A323S1CWZQ](#)
[A423S1CWZG-M8](#) [1201W](#) [12156AX408](#) [12147AGKX679](#) [12246X778](#) [12TW49-3D](#) [130312](#) [13037L](#) [13001X](#) [AE101MD1W4B04](#)
[AE208SD1W4B04](#) [MS24659-22D](#) [MS27407-5](#) [1520230-9](#) [1520231-1](#)