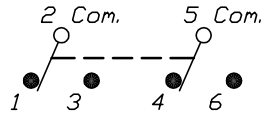


SWITCH FUNCTION		
PDS. 1	PDS. 2	PDS. 3
ON	NONE	ON
2-3,5-6	OPEN	2-1,5-4

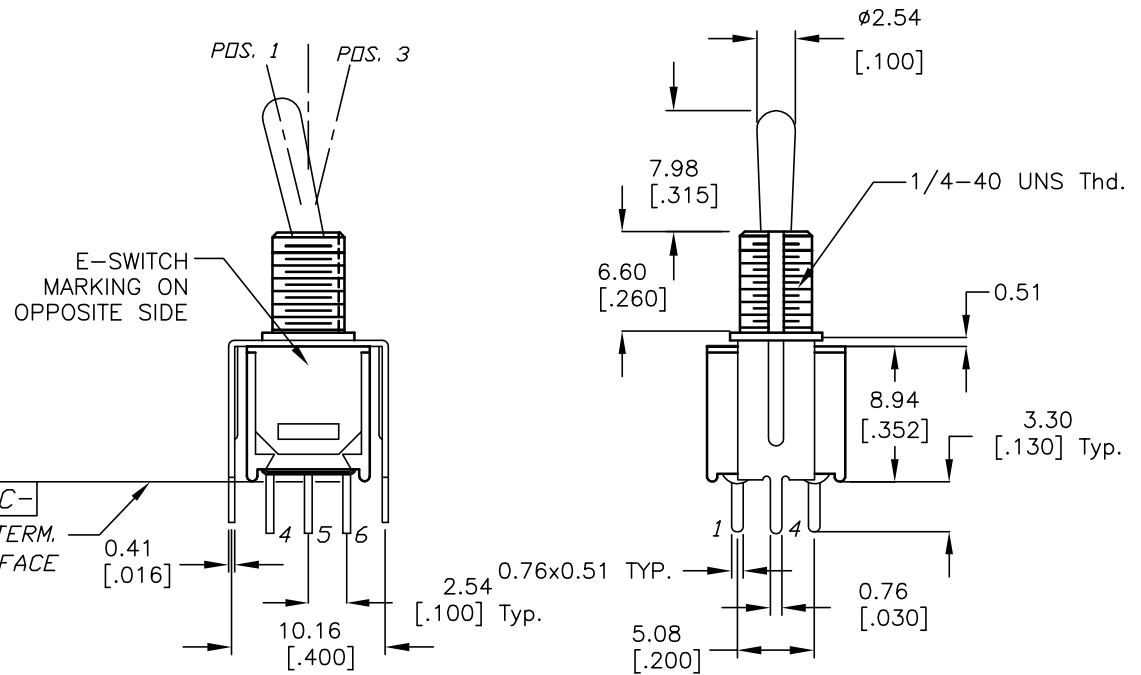


CIRCUIT: DPDT

NOTES:

- ALL DIMENSIONS IN MM
- GENERAL TOLERANCE: X.X=±0.4
X.XX=±0.25
- TERMINAL NUMBERS FOR REF ONLY
- RATING: 0.4(VA) @20V max. (ACor DC)
- CONTACT MATERIAL:
Copper Alloy w/Gold plate over Nickel plate.
- ELECTRICAL LIFE: 30,000 make-and-break cycles at full load.
- INSULATION RESISTANCE: 1,000 Mega-ohm min.
- DIELECTRIC STRENGTH: 1,000 V RMS @sea level.
- CONTACT RESISTANCE: 20mILLI-Ohms max. Typical Initial @2-4VDC
- OPERATING TEMP.: -30°C to 85°C

▲ NO EPOXY ON TERM. BELOW THIS SURFACE



E-SWITCH®

TITLE				
200MDP1T1B7VS2RE				
SCALE	DATE	DR	DWG	REV
2:1	1/13/04	AR	T221053	A

THE INFORMATION CONTAINED IN THIS DOCUMENT IS PROPRIETARY TO E-SWITCH AND IS NOT TO BE COPIED OR TRANSFERRED

X-ON Electronics

Largest Supplier of Electrical and Electronic Components

Click to view similar products for [Toggle Switches](#) category:

Click to view products by [E-Switch](#) manufacturer:

Other Similar products are found below :

[8928K478](#) [020017-13](#) [60012L](#) [6006L](#) [CS115W](#) [CS120W](#) [637H/25](#) [6663](#) [7101SPDV30BE](#) [7103SDV30BE](#) [7105D](#) [7108P3YAV2BE](#)
[71YY50282](#) [7300K36](#) [7301K38](#) [7306K36](#) [7310K36](#) [7506K4](#) [7592K6](#) [7660K12](#) [7691K14](#) [7700K1](#) [8396K108](#) [8824K14](#) [8828K13](#) [8835K3](#)
[8858K44](#) [PS83-121G](#) [1-1825192-0](#) [A201SCWZB04](#) [A207SYCB04](#) [A208J61ZQ0004](#) [A221T1TCQ](#) [A232M1YCQ](#) [A323S1CWZQ](#)
[A423S1CWZG-M8](#) [1201W](#) [12156AX408](#) [12147AGKX679](#) [12246X778](#) [12TW49-3D](#) [130312](#) [13037L](#) [13001X](#) [AE101MD1W4B04](#)
[AE208SD1W4B04](#) [MS24659-22D](#) [MS27407-5](#) [1520230-9](#) [1520231-1](#)