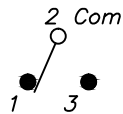


RECOMMENDED P.C.B. LAYOUT



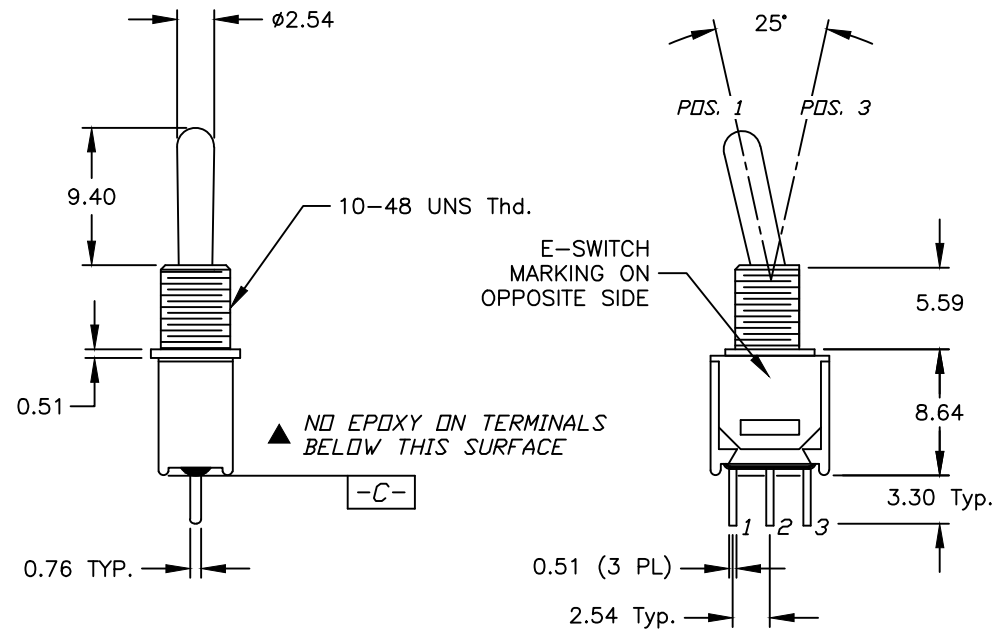
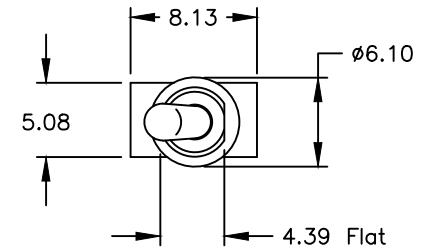
CIRCUIT: SPDT  
CONTACT CONFIGURATION

| SWITCH FUNCTION |        |        |
|-----------------|--------|--------|
| POS. 1          | POS. 2 | POS. 3 |
|                 |        |        |
| ON              | NONE   | ON     |
| 2-3             | OPEN   | 2-1    |

NOTES:

1. ALL DIMENSIONS IN MM
2. GENERAL TOLERANCE: X.X=±0.4  
X.XX=±0.25
3. TERM. NOS. FOR REF. ONLY
4. CONTACT RATING: 3A @120VAC OR 28VDC, 1A @250VAC
5. FIXED TERMINAL & MOVING CONTACT: Copper Alloy w/Gold Plate over Nickel plate.
6. CONTACT RESISTANCE: 20mILLI OHMS max. initial @2-4 VDC, 100mA for AG & Au
6. ELECTRIC LIFE: 30,000 make-and-break cycles at full load.
7. INSULATION RESISTANCE: 1,000 M ohm min.
8. DIELECTRIC STRENGTH: 1,000 V RMS @sea level.
9. OPERATING TEMP. -30°C to 85°C
- ▲10. DESIGNATE MAJOR DIMENSION
- ▲11. HARDWARE TO BE SUPPLIED BULK:
 

|                     |       |
|---------------------|-------|
| T200000-LOCK WASHER | QTY-1 |
| T200002-LOCK RING   | QTY-1 |
| T200001-HEX NUT     | QTY-2 |



|       |          |                  |          |     |  |  |
|-------|----------|------------------|----------|-----|--|--|
| TITLE |          | 200MSP1T1B1M2REH |          |     |  |  |
| SCALE | DATE     | DR               | DWG      | REV |  |  |
| 2:1   | 7/2/2015 | MW               | ST211079 | A   |  |  |

|      |         |                         |        |      |
|------|---------|-------------------------|--------|------|
| A    | 21900   | RELEASED FOR PRODUCTION | 7/2/15 | MW   |
| REV. | ECN No. | DESCRIPTION             | DATE   | CHKD |

THE INFORMATION CONTAINED IN THIS DOCUMENT IS PROPRIETARY TO E-SWITCH AND IS NOT TO BE COPIED OR TRANSFERRED

## X-ON Electronics

Largest Supplier of Electrical and Electronic Components

*Click to view similar products for [Toggle Switches](#) category:*

*Click to view products by [E-Switch](#) manufacturer:*

Other Similar products are found below :

[8928K478](#) [020017-13](#) [60012L](#) [6006L](#) [CS115W](#) [CS120W](#) [637H/25](#) [6663](#) [7101SPDV30BE](#) [7103SDV30BE](#) [7105D](#) [7108P3YAV2BE](#)  
[71YY50282](#) [7300K36](#) [7301K38](#) [7306K36](#) [7310K36](#) [7506K4](#) [7592K6](#) [7660K12](#) [7691K14](#) [7700K1](#) [8396K108](#) [8824K14](#) [8828K13](#) [8835K3](#)  
[8858K44](#) [PS83-121G](#) [1-1825192-0](#) [A201SCWZB04](#) [A207SYCB04](#) [A208J61ZQ0004](#) [A221T1TCQ](#) [A232M1YCQ](#) [A323S1CWZQ](#)  
[A423S1CWZG-M8](#) [1201W](#) [12156AX408](#) [12147AGKX679](#) [12246X778](#) [12TW49-3D](#) [130312](#) [13037L](#) [13001X](#) [AE101MD1W4B04](#)  
[AE208SD1W4B04](#) [MS24659-22D](#) [MS27407-5](#) [1520230-9](#) [1520231-1](#)