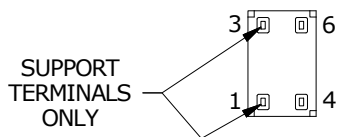
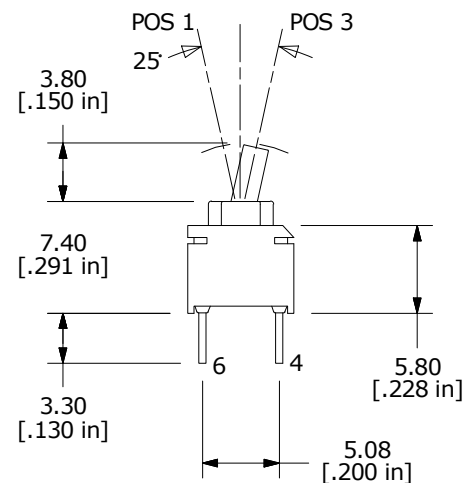
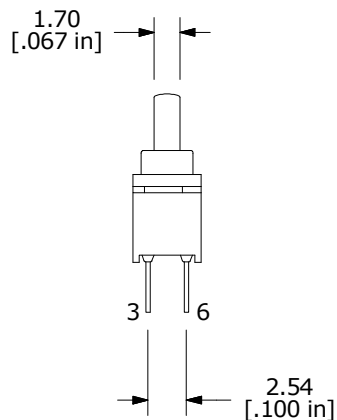
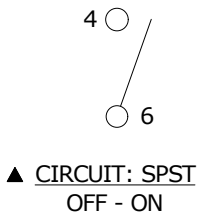


SWITCH FUNCTION		
POS. 1	POS. 2	POS. 3
ON	NONE	OFF
4-6	N/A	OPEN



- NOTE:
1. ALL DIMENSIONS IN MM [INCH]
 2. GENERAL TOLERANCE: X.X = ±0.4
X.XX = ±0.25
 3. TERMINAL NUMBERS FOR REF ONLY
 4. STATIONARY CONTACTS: COPPER ALLOY W/ GOLD PLATING
 5. MOVING CONTACT: COPPER ALLOY W/ GOLD PLATING
 6. RATING: 0.4 VA max. @ 20V AC OR DC max.
 7. CONTACT RESISTANCE: <100 MILLI-OHM
 8. MECHANICAL LIFE: 40,000 MAKE-AND-BREAK CYCLES.
 9. INSULATION RESISTANCE: 500 MEGA-OHM min.
 10. DIELECTRIC STRENGTH: 500 V RMS @SEA LEVEL.
 11. OPERATING TEMP.: -30°C to 85°C
 12. ▲ DENOTES CRITICAL PARAMETER.
 13. SEAL RATING: IP67
 14. 2011/65/EU (ROHS) COMPLIANT

H	22815	correct Switch Function detail	4/20/17	MW
G	22807	correct Switch Function detail	4/13/17	MW
F	22739	correct PC Mounting detail	2/24/17	MW
E	21332	REMOVE PACKAGING NOTE	12/17/13	EBP
D	19874	CORRECT TITLE OF SWITCH FUNCTION	04/25/11	BMA
C	19633	CORRECT SWITCH FUNCTION	01/31/11	BMA
B	19606	UPDATE PLATING NOTE	01/20/11	BMA
REV	PCR NO	DESCRIPTION	DATE	BY

THE INFORMATION CONTAINED IN THIS DOCUMENT IS PROPRIETARY TO E-SWITCH AND IS NOT TO BE COPIED OR TRANSFERRED



TITLE 200USP9T1A1M2RE

SCALE	DATE	DR	DWG	REV
2:1	12/2/2010	BMA	T250008	H

X-ON Electronics

Largest Supplier of Electrical and Electronic Components

Click to view similar products for [Toggle Switches](#) category:

Click to view products by [E-Switch](#) manufacturer:

Other Similar products are found below :

[8928K478](#) [020017-13](#) [60012L](#) [6006L](#) [CS115W](#) [CS120W](#) [637H/25](#) [6663](#) [7101SPDV30BE](#) [7103SDV30BE](#) [7105D](#) [7108P3YAV2BE](#)
[71YY50282](#) [7300K36](#) [7301K38](#) [7306K36](#) [7310K36](#) [7506K4](#) [7592K6](#) [7660K12](#) [7691K14](#) [7700K1](#) [8396K108](#) [8824K14](#) [8828K13](#) [8835K3](#)
[8858K44](#) [PS83-121G](#) [1-1825192-0](#) [A201SCWZB04](#) [A207SYCB04](#) [A208J61ZQ0004](#) [A221T1TCQ](#) [A232M1YCQ](#) [A323S1CWZQ](#)
[A423S1CWZG-M8](#) [1201W](#) [12156AX408](#) [12147AGKX679](#) [12246X778](#) [12TW49-3D](#) [130312](#) [13037L](#) [13001X](#) [AE101MD1W4B04](#)
[AE208SD1W4B04](#) [MS24659-22D](#) [MS27407-5](#) [1520230-9](#) [1520231-1](#)