

RECOMMENDED PANEL MOUNTING

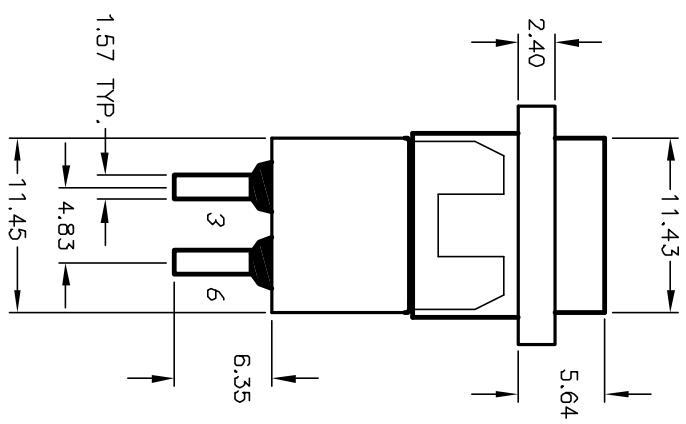
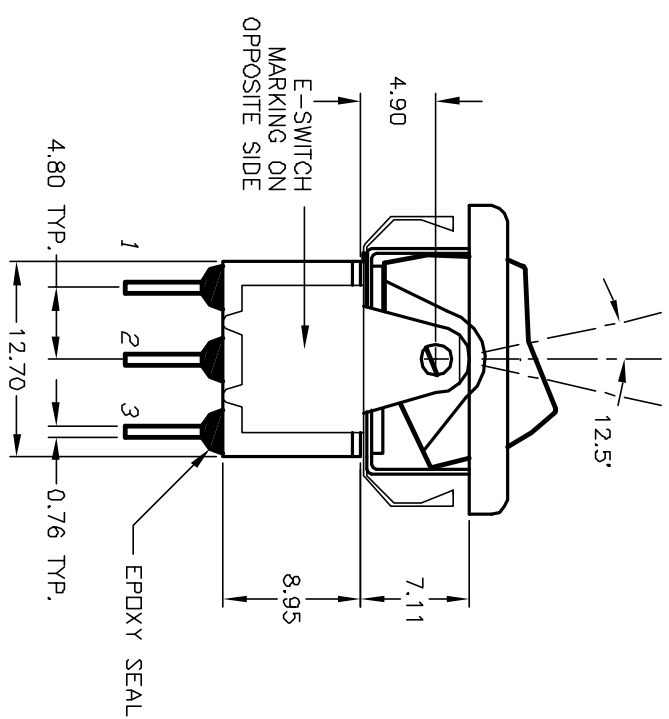
SWITCH FUNCTION			
PDS. 1	PDS. 2	PDS. 3	
DN	NONE	(DN)	
2-3.5-6	OPEN	2-1.5-4	

< >=MOMENTARY

* DIMENSION IS 15.75/15.88 FOR PANEL THICKNESS BETWEEN 1.52mm TD 318mm

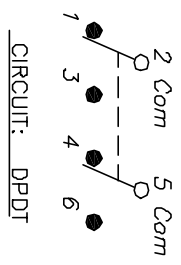
PANEL THICKNESS

PDS. 1 PDS. 2 PDS. 3
BLACK BEZEL



NOTES:

1. ALL DIMENSIONS IN MM [INCH]
2. GENERAL TOLERANCE: X.X=±0.4 X.XX=±0.25
3. TERM. NOS. FOR REF. ONLY
4. RATING: 5A @120VAC OR 2BVDC 2A @250VAC
5. MATERIAL: FIXED TERMINAL & MOVING CONTACT Copper Alloy w/Silver Plate
6. CONTACT RESISTANCE: 10mILLI Ohms max initial @2-4VDC, 100mA for AG & AU
7. ELECTRICAL LIFE: 50,000 make-and-break cycles at full load.
8. INSULATION RESISTANCE: 1,000M ohm min.
9. DIELECTRIC STRENGTH: 1000V RMS @sea level
10. OPERATING TEMP.: -30°C to 85°C



B		12120	DIMENSION WAS 20.10	5/6/02	CB	TITLE		300 DP-2 R6 BLK M3 Q E BLK	DR	CB	DWG	T322000	REV	B
A		12031	RELEASED FOR PRODUCTION	4/2/02	CB	SCALE		2:1	DATE	4/2/02				
REV.		ECN No.	DESCRIPTION	DATE	CHKD	SCALE		2:1	DATE	4/2/02	DR	CB	DWG	T322000
THE INFORMATION CONTAINED IN THIS DOCUMENT IS PROPRIETARY TO E-SWITCH AND IS NOT TO BE COPIED OR TRANSMITTED														

E-SWITCH®

X-ON Electronics

Largest Supplier of Electrical and Electronic Components

Click to view similar products for [Rocker Switches](#) category:

Click to view products by [E-Switch](#) manufacturer:

Other Similar products are found below :

[LTI LA6E-1S-WH-RC-FN12VXCR1](#) [6-1571986-9](#) [8007K26N324V52](#) [8055K32Z7V](#) [8055K52Z7V](#) [8138K20E6M50](#) [84206L](#) [84312LX](#)
[PREDD5-07F-BB0GW](#) [999-16716-002](#) [999-16716-003](#) [999-16716-004](#) [A101J1V3Q004](#) [A101J2ZQ004](#) [A101J4ZQ004](#) [A101J51CB0004](#)
[A103J1ZQ004](#) [A201J1AQ004](#) [A201J3ZB004](#) [A201J50ZQ004](#) [A203J51ZQ0004](#) [A435S1YZQ](#) [H8500XBBBBL-A](#) [H8653VBBG2577W](#)
[HB130CHNWWNAAC](#) [R13112ABB-602W](#) [1251.0303](#) [AE205J60V3B004](#) [1352.0107](#) [1500G51E](#) [1571099-3](#) [1571987-4](#) [1571987-5](#)
[1571989-7](#) [1571988-5](#) [B123J77V7B2](#) [B226J50W4Q22P](#) [B433J37ZQ22M](#) [160212E](#) [1634200-7](#) [1801.1164](#) [1839.1502](#) [PANEL-PLUG-VHP-](#)
[BLACK](#) [PANEL-PLUG-VHP-WT](#) [K1ABBSCADN](#) [K2ABAAAAAA](#) [KG312A2DXD246X](#) [250011E714](#) [2600HM11E](#) [2600R21E](#)