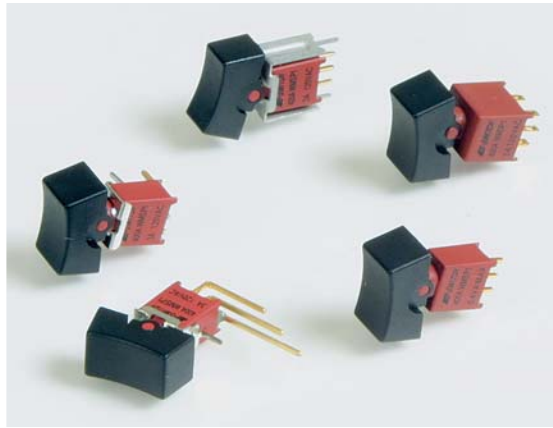




SERIES 400A SWITCHES

ROCKER SWITCHES - SUB-MINIATURE



FEATURES & BENEFITS

- ▶ Variety of switching functions
- ▶ Sub-miniature
- ▶ Sealed to IP67

APPLICATIONS/MARKETS

- ▶ Telecommunications
- ▶ Instrumentation
- ▶ Test equipment
- ▶ Networking
- ▶ Computer peripherals

SPECIFICATIONS

| | |
|------------------------|--|
| Contact Rating: | See contact material options |
| Life Expectancy: | 30,000 make-and-break cycles at full load |
| Contact Resistance: | 10 mΩ typ. initial @ 2-4 V DC, 100 mA for both silver and gold plated contacts |
| Insulation Resistance: | 1,000 MΩ min |
| Dielectric Strength: | 1,000 V RMS @ sea level |
| Operating Temperature: | -30° C to 85° C |

MATERIALS

| | |
|------------------------------------|---|
| Housing: | Glass filled nylon, flame retardant, heat stabilized (UL 94-V0) |
| Actuator: | Nylon, black std. (UL94-HB) |
| Actuator Seal: | Internal O-Ring |
| Switch Support: | Brass or steel, tin plated |
| Actuator Pivot & Mounting Bracket: | Nylon (UL94-HB) |
| Actuator Pivot Retainer: | Stainless steel |
| Contacts / Terminals: | Silver or gold plated copper alloy |
| Terminal Seal: | Epoxy |

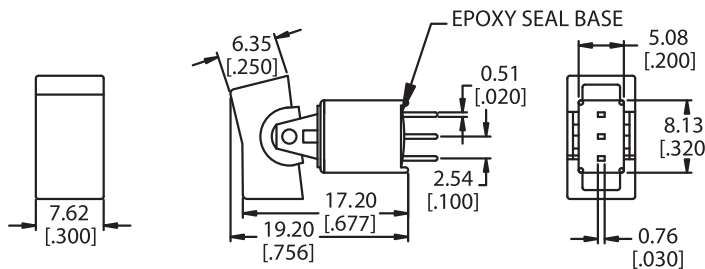
HOW TO ORDER

| SERIES | MODEL NO. | ACTUATOR | ACTUATOR COLOR | TERMINATION | CONTACT MATERIAL | SEAL |
|--------|--|-----------|-------------------------------------|---|------------------------|--------------------------------------|
| 400A | WMSP1 WMSP2 WMSP3 WMSP4 WMSP5 WMSP1 WMSP2 WMSP3 | R1 = Std. | BLK =Black WHT=White RED =Red | M1 M2 M6 M7 VS2 M61 M71 VS21 | Q = Silver R = Gold | E = Epoxy Sealed at Base of Terminal |

▶ ▶ ▶ Example Ordering Number
400A-WMSP3-R1-BLK-M1-Q-E

Specifications subject to change without notice.

SPDT



| Model No. | POS 1 | POS 2 | POS 3 |
|-------------|-------|-------|-------|
| WMSP-1 | ON | NONE | ON |
| WMSP-2 | ON | NONE | (ON) |
| WMSP-3 | ON | OFF | ON |
| WMSP-4 | (ON) | OFF | (ON) |
| WMSP-5 | ON | OFF | (ON) |
| Term. Comm. | 2-3 | OPEN | 2-1 |

() = Momentary



SERIES 400A SWITCHES

ROCKER SWITCHES - SUB-MINIATURE

TACT SWITCHES

NAVIGATION SWITCHES

PUSHBUTTON SWITCHES

TOGGLE SWITCHES

ROCKER SWITCHES

SLIDE SWITCHES

SNAP-ACTION SWITCHES

DIP SWITCHES

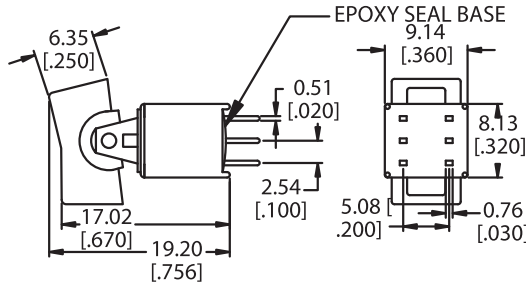
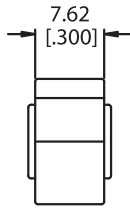
KEYLOCK SWITCHES

ROTARY SWITCHES

DETECTOR SWITCHES

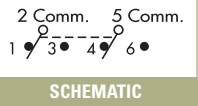
CAP OPTIONS

DPDT



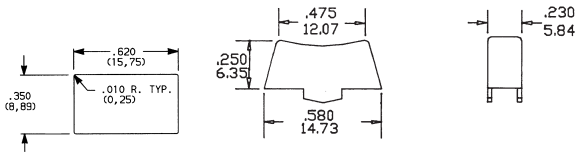
| Model No. | POS 1 | POS 2 | POS 3 |
|-------------|----------|-------|----------|
| WMMP-1 | ON | NONE | ON |
| WMMP-2 | ON | NONE | (ON) |
| WMMP-3 | ON | OFF | ON |
| Term. Comm. | 2-3, 5-6 | OPEN | 2-1, 5-4 |

() = Momentary



ACTUATOR OPTIONS

R1



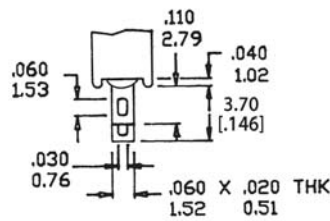
TERMINATION OPTIONS

M1

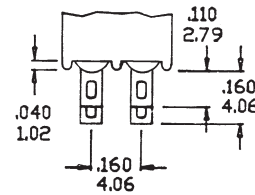
SOLDER LUG



Single Pole



Double Pole

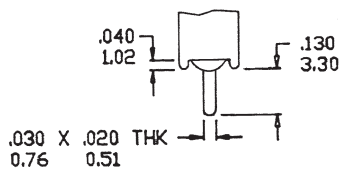


M2

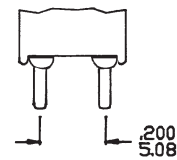
P.C. MOUNT



Single Pole



Double Pole



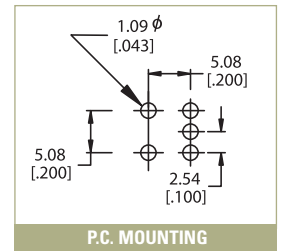
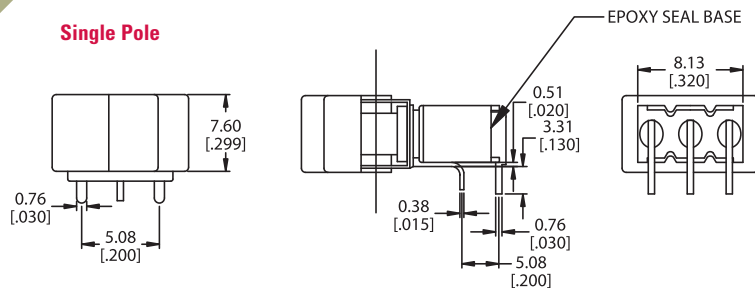


M6

SPDT



Single Pole

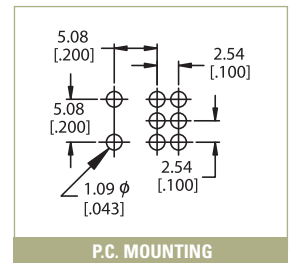
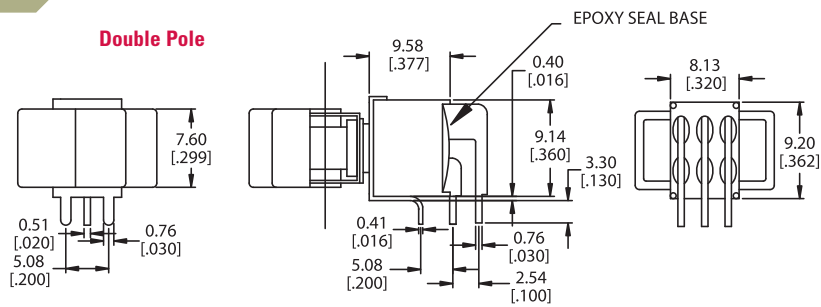


M6

DPDT



Double Pole

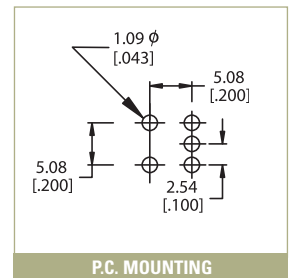
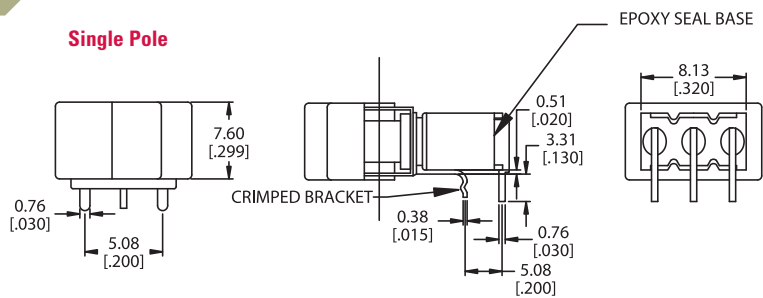


M61

SPDT



Single Pole

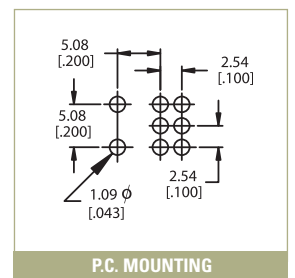
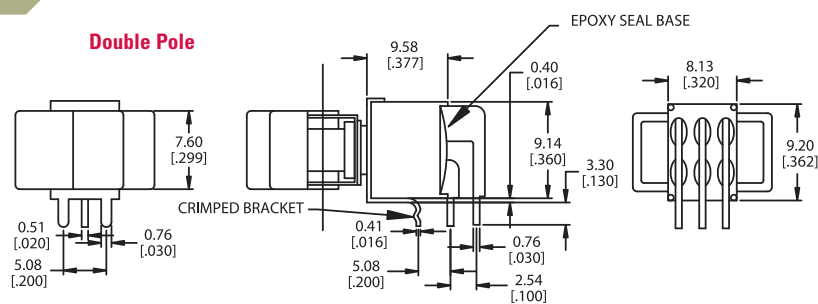


M61

DPDT



Double Pole



M61 Termination includes crimped bracket

TACT SWITCHES

NAVIGATION SWITCHES

PUSHBUTTON SWITCHES

TOGGLE SWITCHES

ROCKER SWITCHES

SLIDE SWITCHES

SNAP-ACTION SWITCHES

DIP SWITCHES

KEYLOCK SWITCHES

ROTARY SWITCHES

DETECTOR SWITCHES

CAP OPTIONS



SERIES 400A SWITCHES

ROCKER SWITCHES - SUB-MINIATURE

TACT SWITCHES

NAVIGATION SWITCHES

PUSHBUTTON SWITCHES

TOGGLE SWITCHES

ROCKER SWITCHES

SLIDE SWITCHES

SNAP-ACTION SWITCHES

DIP SWITCHES

KEYLOCK SWITCHES

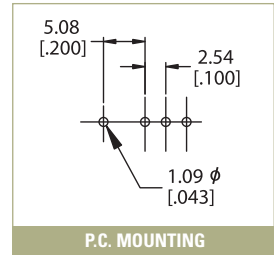
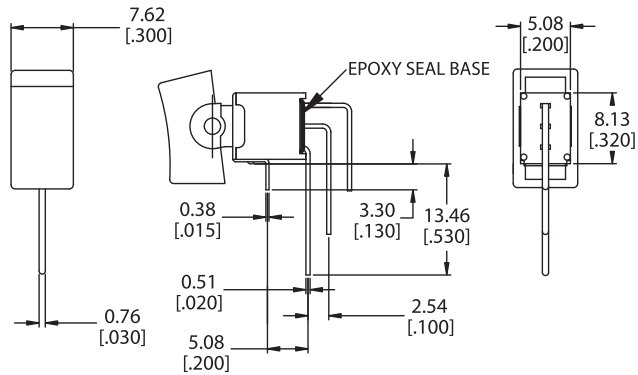
ROTARY SWITCHES

DETECTOR SWITCHES

CAP OPTIONS

M7

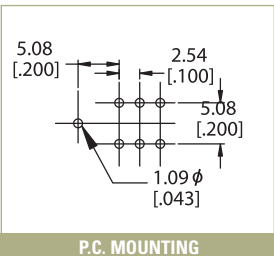
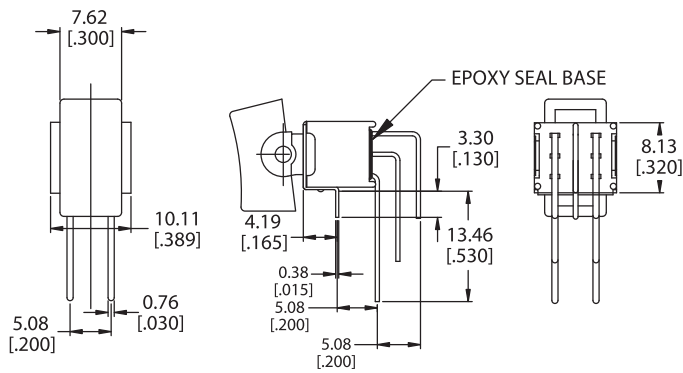
SPDT



P.C. MOUNTING

M7

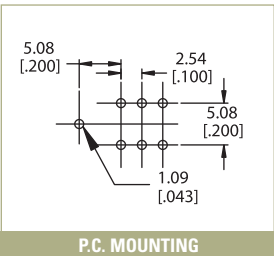
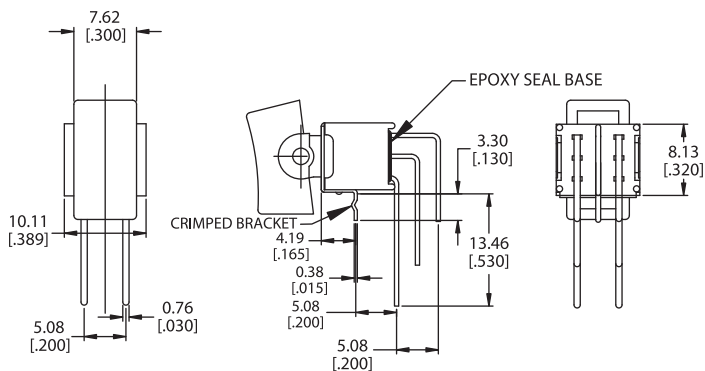
DPDT



P.C. MOUNTING

M71

DPDT



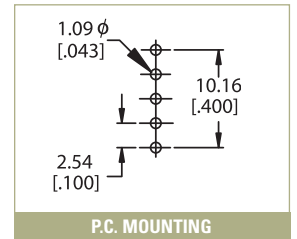
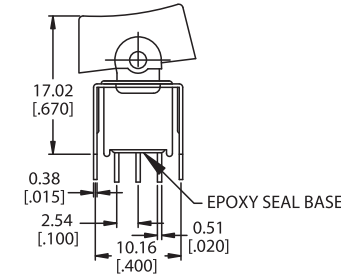
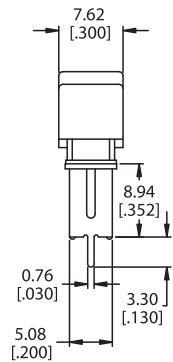
P.C. MOUNTING

M71 Termination includes crimped bracket



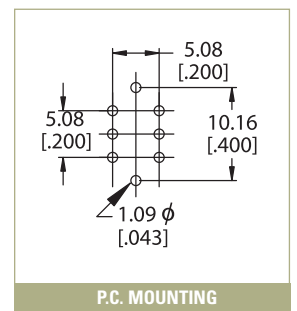
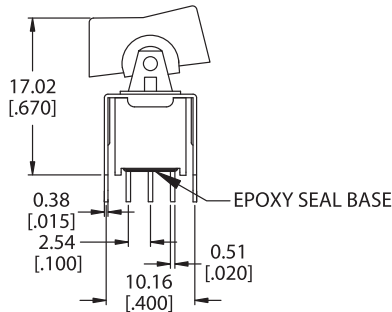
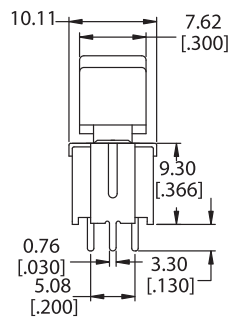
VS2

SPDT



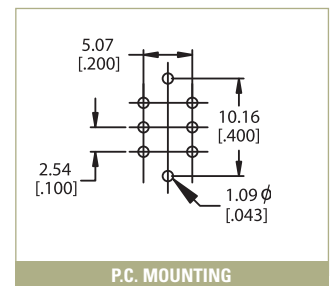
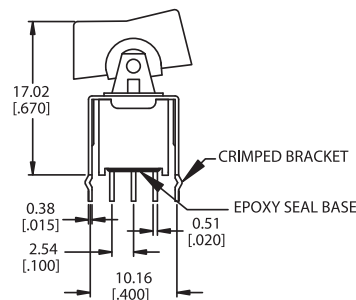
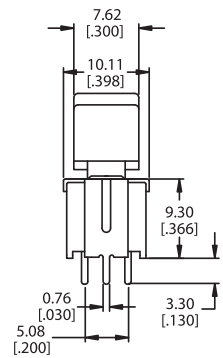
VS2

DPDT



VS21

DPDT



CONTACT MATERIAL OPTIONS

Q

| | |
|-----------------|---|
| Fixed Terminal: | Silver plated copper alloy |
| Moving Contact: | Silver plated copper alloy |
| Rating: | 3 AMPS @ 120 VAC or 28 VDC; 1.0 AMP @ 250VAC |

R

| | |
|-----------------|--|
| Fixed Terminal: | Copper alloy with gold plate over nickel plate |
| Moving Contact: | Copper alloy with gold plate over nickel plate |
| Rating: | 0.4 VA max. @ 20 VAC or DC max. |

X-ON Electronics

Largest Supplier of Electrical and Electronic Components

Click to view similar products for [Rocker Switches](#) category:

Click to view products by [E-Switch](#) manufacturer:

Other Similar products are found below :

[LTI LA6E-1S-WH-RC-FN12VXCR1](#) [6-1571986-9](#) [8007K26N324V52](#) [8055K32Z7V](#) [8055K52Z7V](#) [8138K20E6M50](#) [84206L](#) [84312LX](#)
[PREDD5-07F-BB0GW](#) [999-16716-002](#) [999-16716-003](#) [999-16716-004](#) [A101J1V3Q004](#) [A101J2ZQ004](#) [A101J4ZQ004](#) [A101J51CB0004](#)
[A103J1ZQ004](#) [A201J1AQ004](#) [A201J3ZB004](#) [A201J50ZQ004](#) [A203J51ZQ0004](#) [A435S1YZQ](#) [H8500XBBBBL-A](#) [H8653VBBG2577W](#)
[HB130CHNWWNAAC](#) [R13112ABB-602W](#) [1251.0303](#) [AE205J60V3B004](#) [1352.0107](#) [1500G51E](#) [1571099-3](#) [1571987-4](#) [1571987-5](#)
[1571989-7](#) [1571988-5](#) [B123J77V7B2](#) [B226J50W4Q22P](#) [B433J37ZQ22M](#) [160212E](#) [1634200-7](#) [1801.1164](#) [1839.1502](#) [PANEL-PLUG-VHP-](#)
[BLACK](#) [PANEL-PLUG-VHP-WT](#) [K1ABBSCADN](#) [K2ABAAAAAA](#) [KG312A2DXD246X](#) [250011E714](#) [2600HM11E](#) [2600R21E](#)