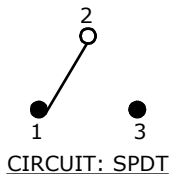
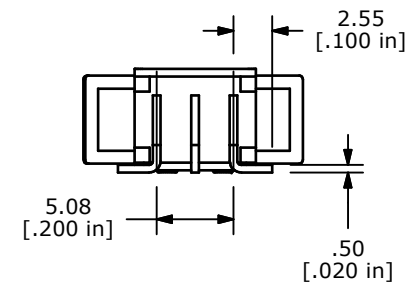
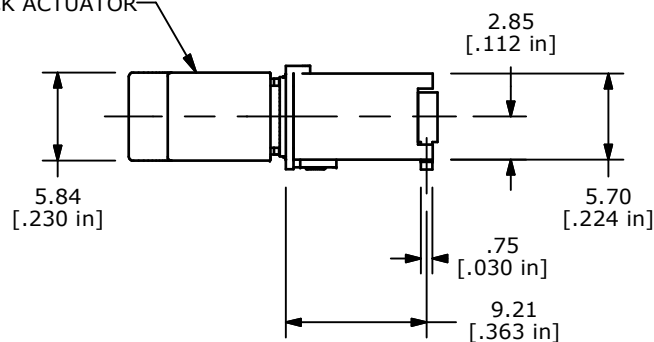


SWITCH FUNCTION		
POS. 1	POS. 2	POS. 3
ON	NONE	ON
2-3	OPEN	2-1

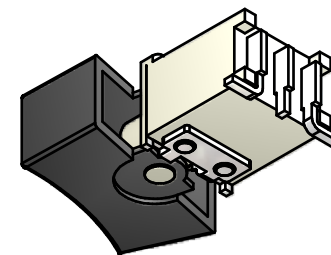
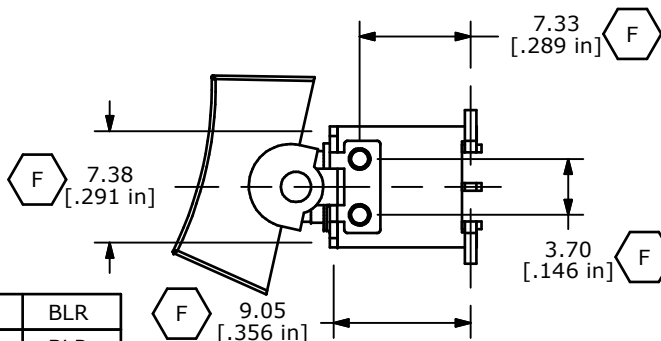


BLACK ACTUATOR



NOTES:

- ALL DIMENSIONS IN MM[INCH].
- GENERAL TOLERANCE: X.X=± 0.4
X.XX=± 0.25
- TERM. NOS. FOR REFERENCE ONLY.
- ELECTRICAL LIFE: 50,000 MAKE-AND-BREAK CYCLES AT FULL LOAD.
- CONTACT MATERIAL: SILVER
- CONTACT RATING: 1 AMP @250 VAC
3 AMPS @120 VAC OR 28 VDC
- CONTACT RESISTANCE: 20MILLI-OHMS MAX. INITIAL @2-4 VDC
- OPERATING TEMPERATURE: -30°C TO 85°C.
- TERMINALS TO BE COPLANAR TO WITHIN 0.1[.004]
- ▲ DENOTES CRITICAL PARAMETER
- 2002/95/EC (ROHS) COMPLIANT
- PACKAGING: TAPE AND REEL 450 PCS. PER REEL



F	20786	NEW PCB LAYOUT, CORRECTED DIMS	9/27/12	BLR
E	18061	CHANGED BODY WIDTH (FROM 8.25)	4/17/08	BLR
D	16079	ADD PACKAGING NOTE	6/2/06	BLR
C	13748	CHANGE ACTUATOR	2/4/04	BLR
B	13742	ADD NOTES, CHANGE ACTUATOR, TITLE	1/30/04	BLR
REV	PCR NO	DESCRIPTION	DATE	BY

THE INFORMATION CONTAINED IN THIS DOCUMENT IS PROPRIETARY TO E-SWITCH AND IS NOT TO BE COPIED OR TRANSFERRED



TITLE 400BWMSP1R2BLKSM6QE

SCALE	DATE	DR	DWG	REV
2:1	4/17/2008	BLR	T460000	F

X-ON Electronics

Largest Supplier of Electrical and Electronic Components

Click to view similar products for [Rocker Switches](#) category:

Click to view products by [E-Switch](#) manufacturer:

Other Similar products are found below :

[LTI LA6E-1S-WH-RC-FN12VXCR1](#) [6-1571986-9](#) [8007K26N324V52](#) [8055K32Z7V](#) [8055K52Z7V](#) [8138K20E6M50](#) [84206L](#) [84312LX](#)
[PREDD5-07F-BB0GW](#) [999-16716-002](#) [999-16716-003](#) [999-16716-004](#) [A101J1V3Q004](#) [A101J2ZQ004](#) [A101J4ZQ004](#) [A101J51CB0004](#)
[A103J1ZQ004](#) [A201J1AQ004](#) [A201J3ZB004](#) [A201J50ZQ004](#) [A203J51ZQ0004](#) [A435S1YZQ](#) [H8500XBBBBBL-A](#) [H8653VBBG2577W](#)
[HB130CHNWWNAAC](#) [R13112ABB-602W](#) [1251.0303](#) [AE205J60V3B004](#) [1352.0107](#) [1500G51E](#) [1571099-3](#) [1571987-4](#) [1571987-5](#)
[1571989-7](#) [1571988-5](#) [B123J77V7B2](#) [B226J50W4Q22P](#) [B433J37ZQ22M](#) [160212E](#) [1634200-7](#) [1801.1164](#) [1839.1502](#) [PANEL-PLUG-VHP-](#)
[BLACK](#) [PANEL-PLUG-VHP-WT](#) [K1ABBSCADN](#) [K2ABAAAAAA](#) [KG312A2DXD246X](#) [250011E714](#) [2600HM11E](#) [2600R21E](#)