

# SERIES 400B SWITCHES

## ROCKER SWITCHES - SMT SUBMINIATURE

TACT SWITCHES

NAVIGATION SWITCHES

PUSHBUTTON SWITCHES

TOGGLE SWITCHES

ROCKER SWITCHES

SLIDE SWITCHES

SNAP-ACTION SWITCHES

DIP SWITCHES

KEYLOCK SWITCHES

ROTARY SWITCHES

DETECTOR SWITCHES

CAP OPTIONS



### FEATURES & BENEFITS

- ▶ Variety of switching functions
- ▶ Sub-miniature
- ▶ Surface mount
- ▶ Sealed to IP67

### APPLICATIONS/MARKETS

- ▶ Telecommunications
- ▶ Instrumentation
- ▶ Test equipment
- ▶ Networking
- ▶ Computer peripherals

### SPECIFICATIONS

Contact Rating:	3A @ 120VAC; 1A @ 250VAC
Life Expectancy:	50,000 make-and-break cycles at full load
Contact Resistance:	20 mΩ max. initial @ 2-4 VDC 100 mA
Insulation Resistance:	1000M Ω min.
Dielectric Strength:	1,000 V RMS @ sea level
Operating Temperature:	-30° C to 85° C
Packaging:	Tape & Reel

### MATERIALS

Case & Bushing:	High temp material, glass filled 4/6 Nylon, flame retardant, heat stabilized (UL94-V0)
Actuator:	Brass, chrome plated with internal O-ring seal standard
Switch Support:	Brass/Steel, tin or tin-lead plated
Contacts / Terminals:	Silver or gold plate over nickel plated copper alloy
Terminal Seal:	Epoxy

### HOW TO ORDER

SERIES	MODEL NO.	ACTUATOR	ACTUATOR COLOR	TERMINATION	CONTACT MATERIAL	SEAL
400B	WMSP1 WMSP2 WMSP3 WMSP4 WMSP5	R2 = Std.	BLK = Black	SM6	Q = Silver R = Gold	E = Epoxy Sealed at Base of Terminal

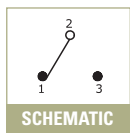
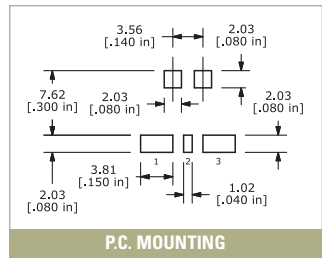
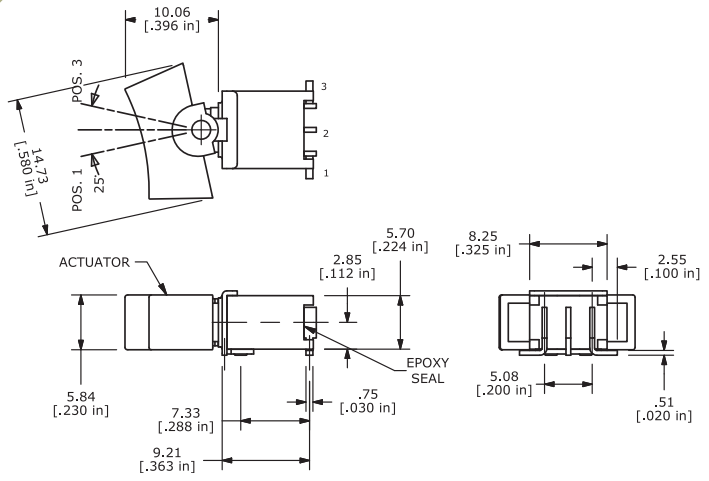
Model No.	POS 1	POS 2	POS 3
WMSP-1	ON	NONE	ON
WMSP-2	ON	NONE	(ON)
WMSP-3	ON	OFF	ON
WMSP-4	(ON)	OFF	(ON)
WMSP-5	ON	OFF	(ON)
Term. Comm.	2-3	OPEN	2-1

( ) = Momentary

Example Ordering Number  
400B-WMSP1-R2-BLK-SM6-Q-E

Specifications subject to change without notice.

## 400B



## X-ON Electronics

Largest Supplier of Electrical and Electronic Components

*Click to view similar products for [Rocker Switches](#) category:*

*Click to view products by [E-Switch](#) manufacturer:*

Other Similar products are found below :

[LTI LA6E-1S-WH-RC-FN12VXCR1](#) [6-1571986-9](#) [8007K26N324V52](#) [8055K32Z7V](#) [8055K52Z7V](#) [8138K20E6M50](#) [84206L](#) [84312LX](#)  
[PREDD5-07F-BB0GW](#) [999-16716-002](#) [999-16716-003](#) [999-16716-004](#) [A101J1V3Q004](#) [A101J2ZQ004](#) [A101J4ZQ004](#) [A101J51CB0004](#)  
[A103J1ZQ004](#) [A201J1AQ004](#) [A201J3ZB004](#) [A201J50ZQ004](#) [A203J51ZQ0004](#) [A435S1YZQ](#) [H8500XBBBBL-A](#) [H8653VBBG2577W](#)  
[HB130CHNWWNAAC](#) [R13112ABB-602W](#) [1251.0303](#) [AE205J60V3B004](#) [1352.0107](#) [1500G51E](#) [1571099-3](#) [1571987-4](#) [1571987-5](#)  
[1571989-7](#) [1571988-5](#) [B123J77V7B2](#) [B226J50W4Q22P](#) [B433J37ZQ22M](#) [160212E](#) [1634200-7](#) [1801.1164](#) [1839.1502](#) [PANEL-PLUG-VHP-](#)  
[BLACK](#) [PANEL-PLUG-VHP-WT](#) [K1ABBSCADN](#) [K2ABAAAAAA](#) [KG312A2DXD246X](#) [250011E714](#) [2600HM11E](#) [2600R21E](#)