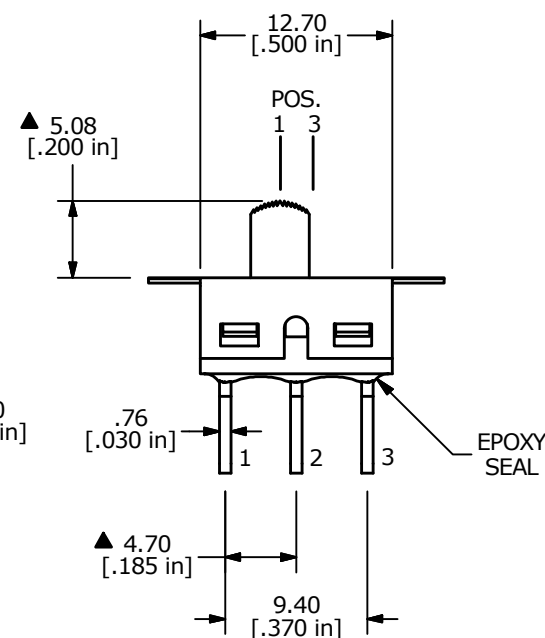
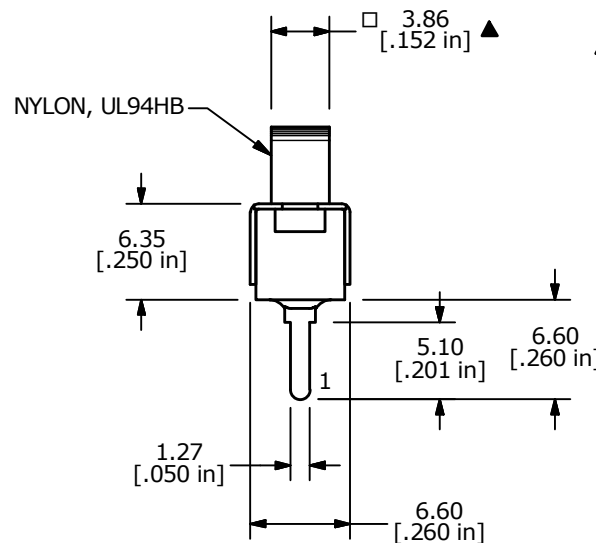
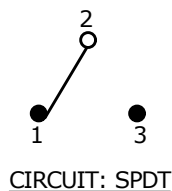


| ▲ SWITCH FUNCTION | | |
|-------------------|--------|--------|
| POS. 1 | POS. 2 | POS. 3 |
| | | |
| ON | NONE | ON |
| 2-1 | OPEN | 2-3 |



- NOTE:**
- ALL DIMENSIONS IN MM [INCH]
 - GENERAL TOLERANCE: X.X = ± 0.4
X.XX = ± 0.25
 - TERMINAL NUMBERS FOR REF ONLY
 - ▲ 4. PLATING MATERIAL: GOLD
 - RATING: 0.4 (VA) MAX. @20V MAX.
 - ELECTRIC LIFE: 30,000 MAKE AND BREAK CYCLES.
 - INSULATION RESISTANCE: 1,000 MEGA-OHM MIN.
 - DIELECTRIC STRENGTH: 1,000 V RMS @SEA LEVEL.
 - OPERATING TEMP.: -30°C to 85°C
 - ▲ DENOTES CRITICAL PARAMETER.
 - PACKAGE: TRAY - 630pcs/TRAY
 - 2011/65/EU (ROHS) COMPLIANT



| | | | | |
|-----|--------|-------------------------|---------|----|
| B | 23131 | update drawing | 12/5/17 | MW |
| A | 16834 | RELEASED FOR PRODUCTION | 1/9/07 | TN |
| REV | PCR NO | DESCRIPTION | DATE | BY |

| | | | | |
|----------------------|---------------|-------|-------------|-------|
| TITLE 500SSP1S1M2REB | | | | |
| SCALE 2:1 | DATE 1/9/2007 | DR TN | DWG T511067 | REV B |

THE INFORMATION CONTAINED IN THIS DOCUMENT IS PROPRIETARY TO E-SWITCH AND IS NOT TO BE COPIED OR TRANSFERRED

X-ON Electronics

Largest Supplier of Electrical and Electronic Components

Click to view similar products for [Slide Switches](#) category:

Click to view products by [E-Switch](#) manufacturer:

Other Similar products are found below :

[6-1437581-1](#) [M43R](#) [MHS123K15D](#) [MHS133K](#) [MHSS1104A](#) [MMD](#) [GH49S010001](#) [MSS12A](#) [EPS1PC1](#) [1825074-1](#) [1825160-3](#) [1825167-2](#)
[1825289-7](#) [K232CB](#) [25139NLDB](#) [25449NAH](#) [SLB1240R45](#) [1825078-1](#) [1825080-4](#) [1825269-1](#) [1825270-2](#) [STS141RA04](#) [T2215BEN506](#)
[GH46P000001](#) [GH46W000001](#) [GH49P010001](#) [25339NA](#) [M42A](#) [TG36P000000](#) [TG36P000050](#) [AYZ0202AG](#) [47227LFE](#) [49331L](#) [50208L](#)
[L203091MS02Q](#) [4-1437581-7](#) [X2225CR-437W](#) [49329L](#) [1101M1S3ZB8E2](#) [1-1437581-1](#) [MSS2225G04](#) [TG39W000000](#) [1825075-1](#)
[MSS42G](#) [TG36WS80065](#) [T105S1CWZBE](#) [SLB124145](#) [SLB1280R5](#) [SLB1340R45](#) [25136NLDB](#)