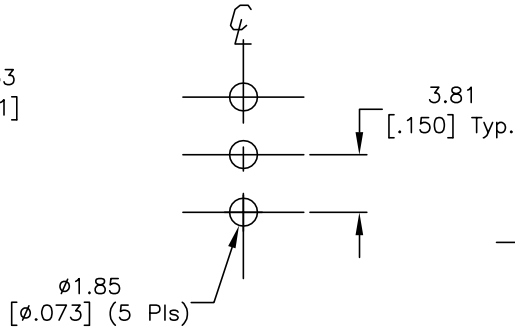
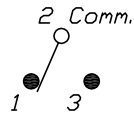


RECOMMENDED PANEL CUTOUT



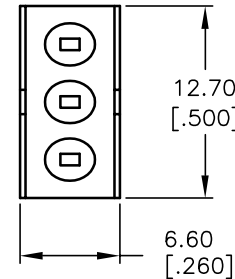
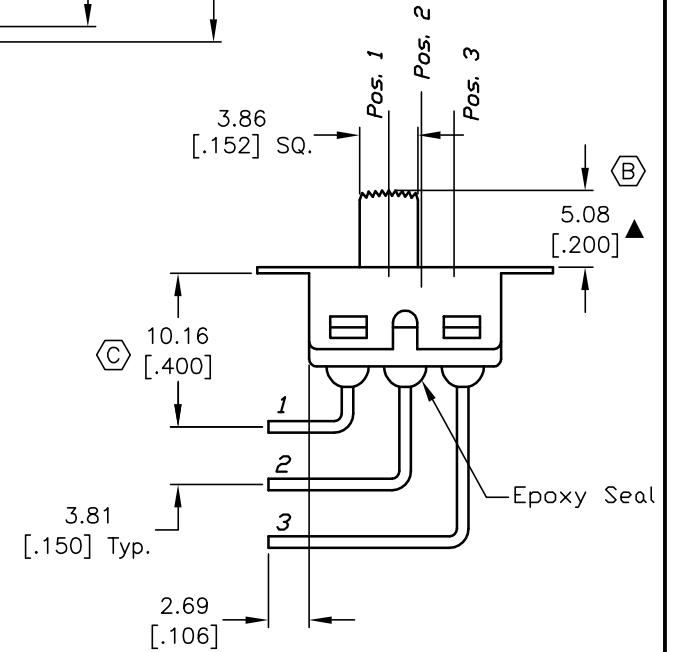
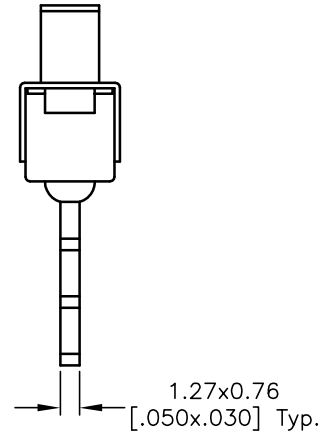
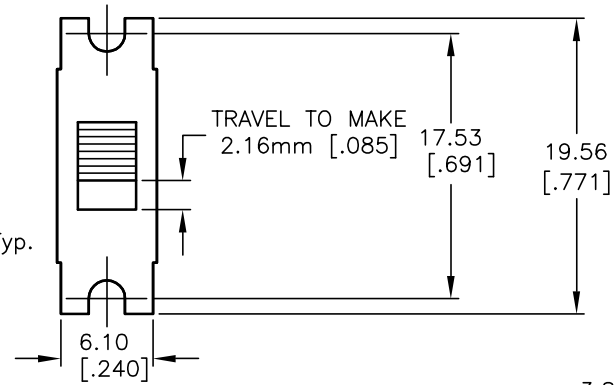
RECOMMEND P.C.B. LAYOUT



CIRCUIT: SPDT

CONTACT CONFIGURATION

SWITCH FUNCTION		
POS. 1	POS. 2	POS. 3
ON	NONE	ON
2-1	OPEN	2-3



NOTES:

1. ALL DIMENSIONS IN MM
2. GENERAL TOLERANCE: X.X= $\pm 0.4$   
X.XX= $\pm 0.25$
3. TERM. NOS. FOR REFERENCE ONLY.
4. TRAVEL TO MAKE: 2.16MM
5. RATING: 5 AMPS @ 120VAC OR 28VDC;  
2 AMPS @ 250VAC
6. MATERIAL: SILVER PLATED COPPER ALLOY
7. ▲ DENOTES CRITICAL PARAMETER.

C	13412	10.16 WAS 10.34	8/29/03	AR
B	13356	5.08 WAS 4.72	8/8/03	AR
A	13257	RELEASED FOR PRODUCTION	6/30/03	AR
REV.	ECN No.	DESCRIPTION	DATE	CHKD

THE INFORMATION CONTAINED IN THIS DOCUMENT IS PROPRIETARY TO E-SWITCH AND IS NOT TO BE COPIED OR TRANSFERRED

<b>E-SWITCH®</b>				
TITLE 500SSP1S1M7QEB				
SCALE	DATE	DR	DWG	REV
2:1	6/30/03	AR	T511017	C

## X-ON Electronics

Largest Supplier of Electrical and Electronic Components

*Click to view similar products for [Slide Switches](#) category:*

*Click to view products by [E-Switch](#) manufacturer:*

Other Similar products are found below :

[6-1437581-1](#) [M43R](#) [MHS123K15D](#) [MHS133K](#) [MHSS1104A](#) [MMD](#) [GH49S010001](#) [MSS12A](#) [EPS1PC1](#) [1825074-1](#) [1825160-3](#) [1825167-2](#)  
[1825289-7](#) [K232CB](#) [25139NLDB](#) [25449NAH](#) [SLB1240R45](#) [1825078-1](#) [1825080-4](#) [1825269-1](#) [1825270-2](#) [STS141RA04](#) [T2215BEN506](#)  
[GH46P000001](#) [GH46W000001](#) [GH49P010001](#) [25339NA](#) [M42A](#) [TG36P000000](#) [TG36P000050](#) [AYZ0202AG](#) [47227LFE](#) [49331L](#) [50208L](#)  
[L203091MS02Q](#) [4-1437581-7](#) [X2225CR-437W](#) [49329L](#) [1101M1S3ZB8E2](#) [1-1437581-1](#) [MSS2225G04](#) [TG39W000000](#) [1825075-1](#)  
[MSS42G](#) [TG36WS80065](#) [T105S1CWZBE](#) [SLB124145](#) [SLB1280R5](#) [SLB1340R45](#) [25136NLDB](#)