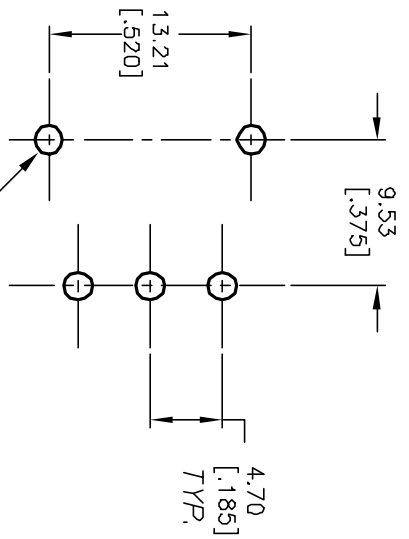
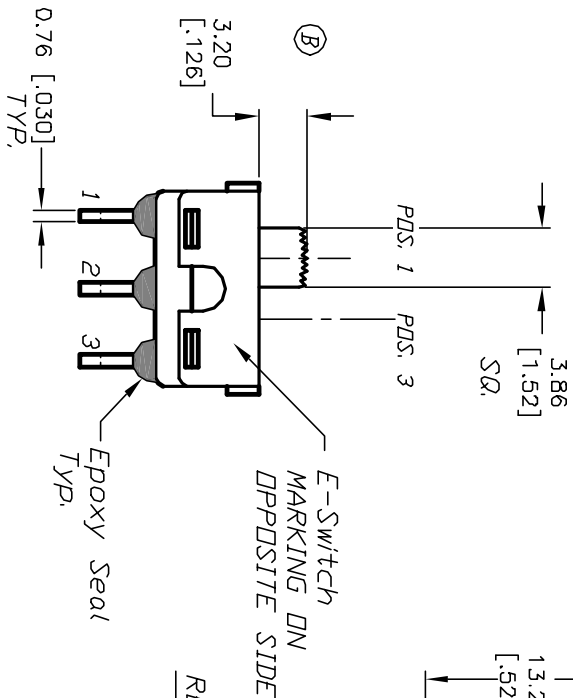
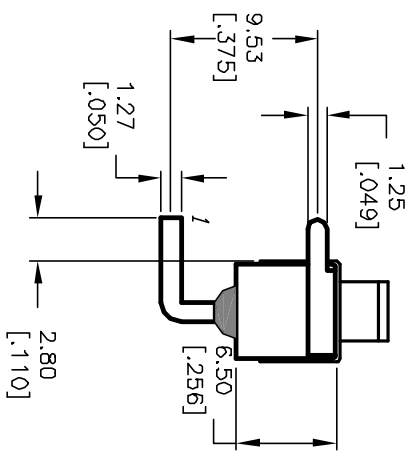
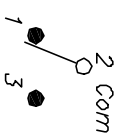


TRAVEL
SEE NOTE 10



RECOMMENDED P.C.B. LAYOUT

CIRCUIT: SPDT



| SWITCH FUNCTION | | | |
|-----------------|--------|--------|--|
| PDS. 1 | PDS. 2 | PDS. 3 | |
| DN | NONE | DN | |
| 2-1 | OPEN | 2-3 | |

NOTES:

1. ALL DIMENSIONS IN MM [INCH]
2. GENERAL TOLERANCE: X.X=±0.4 X.XX=±0.25
3. TERM NOS. FOR REF. ONLY
4. RATING: 5A @120 (Resistive Load)
2A @250VAC
5. CONTACT MATERIAL:
Copper Alloy w/Silver plate
6. ELECTRICAL LIFE: 30,000 ACTUATIONS @Full Load
7. INSULATION RESISTANCE: 1000 Mega Ohms min.
8. DIELECTRIC STRENGTH: 1000V RMS @SEA LEVEL.
9. OPERATING TEMPERATURE: -30°C TO 85°C
10. TRAVEL: 2.16mm

(B)

| | | | | |
|------|---------|--------------------------|----------|------|
| B | 12386 | REVISED DESCRIPTION/ACT. | 8/26/02 | CJB |
| A | 11849 | RELEASED FOR PRODUCTION | 12/10/01 | RSB |
| REV. | ECN No. | DESCRIPTION | DATE | CHKD |

THE INFORMATION CONTAINED IN THIS DOCUMENT IS PROPRIETARY TO E-SWITCH AND IS NOT TO BE COPIED OR TRANSFERRED

E-SWITCH®

500 SSP-1 S4 M6 Q E A

| | | | | | |
|-------|-------|----------|-----|---------|-----|
| TITLE | SCALE | DATE | DR | DWG | REV |
| | 2:1 | 12/07/01 | RSB | TS11024 | B |

X-ON Electronics

Largest Supplier of Electrical and Electronic Components

Click to view similar products for [Slide Switches](#) category:

Click to view products by [E-Switch](#) manufacturer:

Other Similar products are found below :

[6-1437581-1](#) [M43R](#) [MHS123K15D](#) [MHS133K](#) [MHSS1104A](#) [MMD](#) [GH49S010001](#) [MSS12A](#) [EPS1PC1](#) [1825074-1](#) [1825160-3](#) [1825167-2](#)
[1825289-7](#) [K232CB](#) [25139NLDB](#) [25449NAH](#) [SLB1240R45](#) [1825078-1](#) [1825080-4](#) [1825269-1](#) [1825270-2](#) [STS141RA04](#) [T2215BEN506](#)
[GH46P000001](#) [GH46W000001](#) [GH49P010001](#) [25339NA](#) [M42A](#) [TG36P000000](#) [TG36P000050](#) [AYZ0202AG](#) [47227LFE](#) [49331L](#) [50208L](#)
[L203091MS02Q](#) [4-1437581-7](#) [X2225CR-437W](#) [49329L](#) [1101M1S3ZB8E2](#) [1-1437581-1](#) [MSS2225G04](#) [TG39W000000](#) [1825075-1](#)
[MSS42G](#) [TG36WS80065](#) [T105S1CWZBE](#) [SLB124145](#) [SLB1280R5](#) [SLB1340R45](#) [25136NLDB](#)