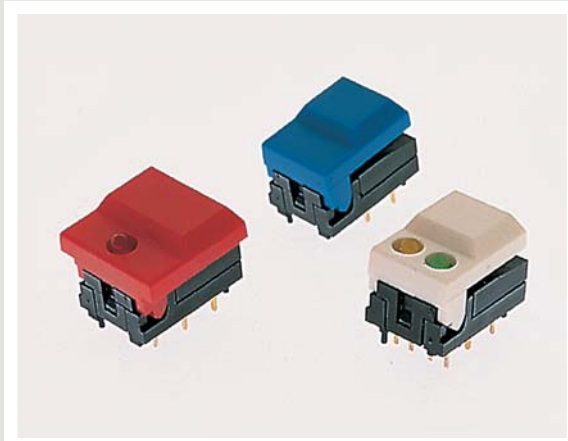




SERIES 5500 SWITCHES

PUSHBUTTON SWITCHES



FEATURES & BENEFITS

- ▶ Single or dual LED options
- ▶ Hinged pushbutton design
- ▶ High operating life

APPLICATIONS/MARKETS

- ▶ Telecommunications
- ▶ Networking
- ▶ Computers/servers
- ▶ Performance audio
- ▶ Instrumentation
- ▶ Low power on/off designs
- ▶ External hard drives and modems

SPECIFICATIONS

Contact Ratings:	300mA @ 12 VDC
Life Expectancy:	500,000 cycles typical
Contact Resistance:	50mΩ max. typical @ 2-4 VDC, 100mA
Insulation Resistance:	50 MΩ min.
Dielectric Strength:	>1,000 V rms at sea level
Actuation Force:	255 grams max.
Operating Temperature:	-25°C to +65°C

MATERIALS

Housing:	Nylon
Cap:	ABS
Contacts:	Gold over nickel over copper alloy
Terminals:	Gold over nickel over copper alloy

HOW TO ORDER

SERIES 55	CAP STYLE 01 = Small 11 = Large	MECHANICAL CONFIGURATION M M = Momentary	CAP COLOR BLK = Black GRY = Grey YEL = Yellow BLU = Blue RED = Red ORG = Orange GRN = Green WHT = White	1st LED COLOR (1-LED cap styles only) X = No LED RED = Red LED GRN = Green LED YEL = Yellow LED	2nd LED COLOR (2-LED cap styles only) RED = Red LED GRN = Green LED YEL = Yellow LED
----------------------------	--	--	--	---	---

Example Ordering Number

55-11-M-BLU
55-01-M-WHT-RED, GRN

Specifications subject to change without notice.

TACT SWITCHES

NAVIGATION SWITCHES

PUSHBUTTON SWITCHES

TOGGLE SWITCHES

ROCKER SWITCHES

SLIDE SWITCHES

SNAP-ACTION SWITCHES

DIP SWITCHES

KEYLOCK SWITCHES

ROTARY SWITCHES

DETECTOR SWITCHES

CAP OPTIONS

SERIES 5500 SWITCHES

PUSHBUTTON SWITCHES

TACT SWITCHES

NAVIGATION SWITCHES

PUSHBUTTON SWITCHES

TOGGLE SWITCHES

ROCKER SWITCHES

SLIDE SWITCHES

SNAP-ACTION SWITCHES

DIP SWITCHES

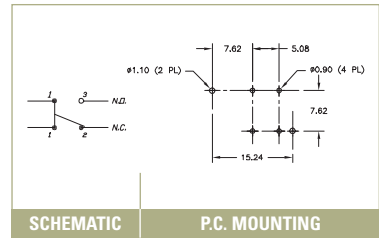
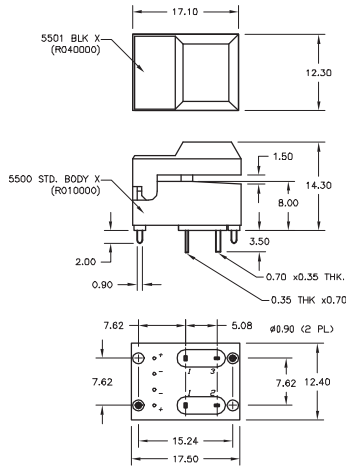
KEYLOCK SWITCHES

ROTARY SWITCHES

DETECTOR SWITCHES

CAP OPTIONS

5501

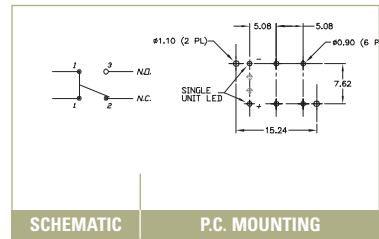
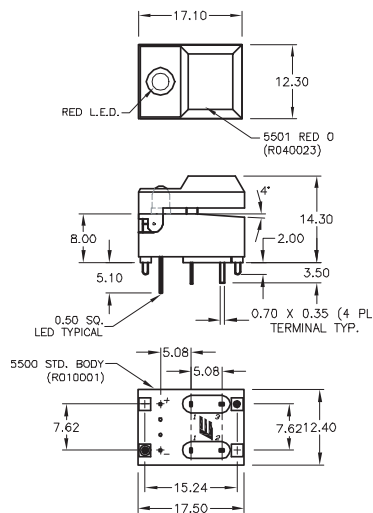


SCHEMATIC

P.C. MOUNTING

5501

1 LEDS

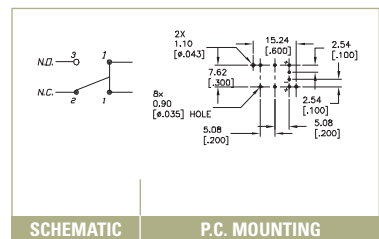
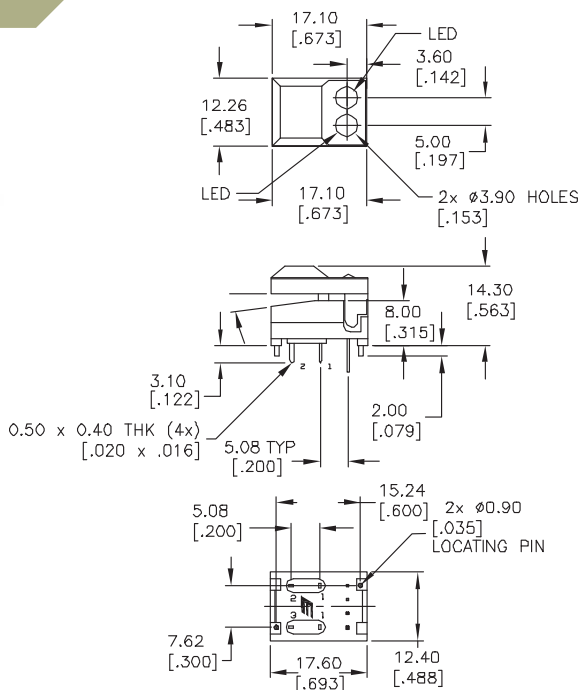


SCHEMATIC

P.C. MOUNTING

5501

2 LEDS

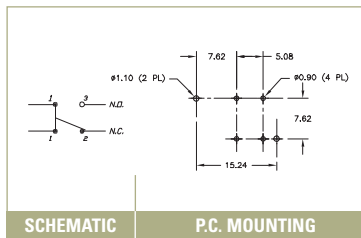
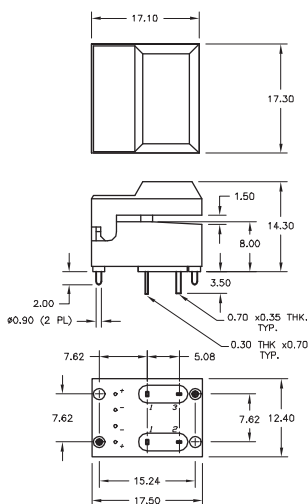


SCHEMATIC

P.C. MOUNTING



5511



TACT SWITCHES

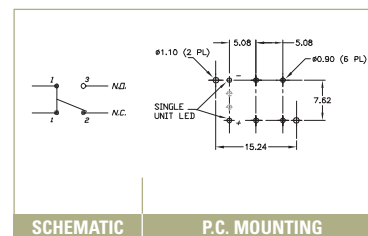
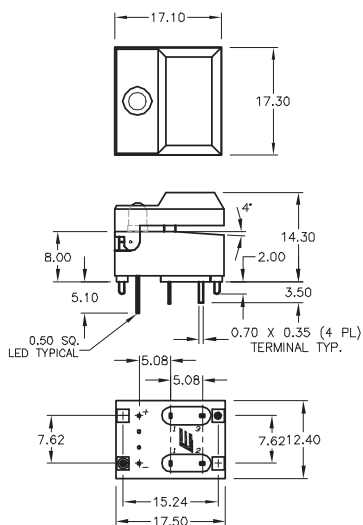
NAVIGATION SWITCHES

PUSHBUTTON SWITCHES

TOGGLE SWITCHES

5511

1 LEDS



ROCKER SWITCHES

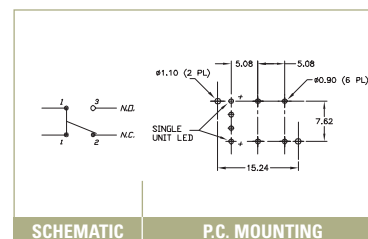
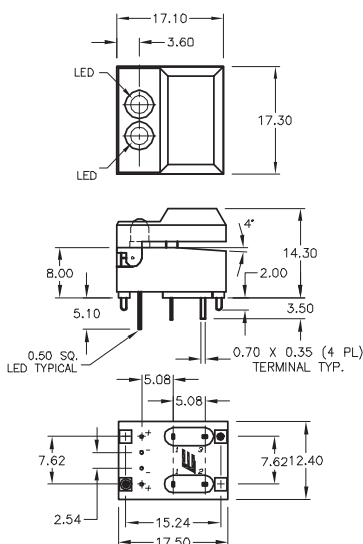
SLIDE SWITCHES

SNAP-ACTION SWITCHES

DIP SWITCHES

5511

2 LEDS



KEYLOCK SWITCHES

ROTARY SWITCHES

DETECTOR SWITCHES

CAP OPTIONS

X-ON Electronics

Largest Supplier of Electrical and Electronic Components

Click to view similar products for [Pushbutton Switches](#) category:

Click to view products by [E-Switch](#) manufacturer:

Other Similar products are found below :

[8940K2012](#) [LW1L-M1C10V-A](#) [LW1L-M1C70-A](#) [LW2L-A1C20M-GD](#) [LW2L-M1C20M-A](#) [60324L](#) [M22-D-R-GB0/K11](#) [M7E-HRN2](#)
[67021K512](#) [67081K512X](#) [701PB580](#) [7190K101](#) [7199K101](#) [810K12910](#) [810KSV30B](#) [MML21EA2ADK](#) [MML21KA3ABK](#)
[MML23KA3AC05K-001](#) [MML23KW3AA01W](#) [8418K2](#) [8442K3](#) [8450K1](#) [860K11911T01A](#) [861901](#) [861K11911T01A07](#)
[861K13810T00A14](#) [861K13911](#) [8646AB6X718UL](#) [8646ABUL](#) [9001KXRK](#) [907AYY100](#) [PMHD155A1](#) [95-313.000](#)
[9533CD4+U574+U4922](#) [95-414.000](#) [99-450.837](#) [99-453.837](#) [PV3H2B0NN-341](#) [1203MRA](#) [A22NZBGANGA](#) [A22NZBMMNGA](#)
[A22NZBNANGA](#) [A22NZMPATRA](#) [A2PMA1X03EC56](#) [A3A-5123-02](#) [A3A-7140](#) [A3A-7310](#) [A3A-7340](#) [A3U-TMW-A2C-5M](#) [A595](#)