

YELLOW LED

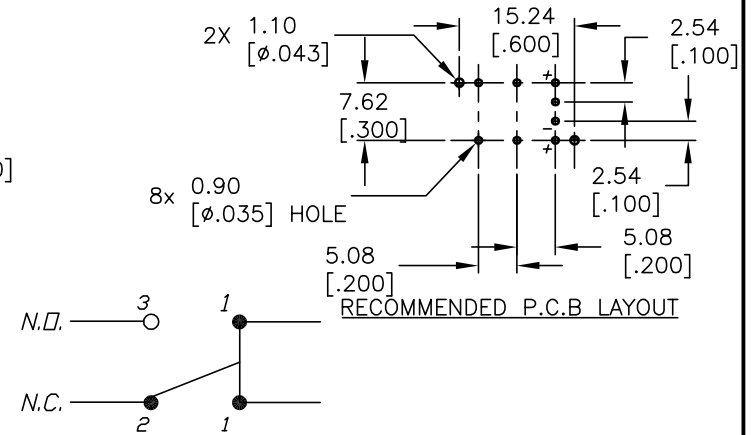
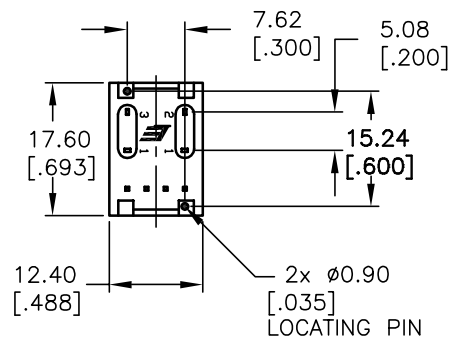
PARAMETERS	SYMBOL	MAX.	MIN.	TYP.	UNITS
POWER DISSIPATION	P _D	100	--		mW
FORWARD VOLTAGE	V _F	2.8	1.8	2.1	V
REVERSE VOLTAGE	V _R	5	--		V
EMISSION WAVELENGTH	λ _P			590	nm
LUMINOUS INTENSITY	I _F		5.0	12	mcd

GREEN LED

PARAMETERS	SYMBOL	MAX.	MIN.	TYP.	UNITS
POWER DISSIPATION	P _D	100	--		mW
FORWARD VOLTAGE	V _F	2.8	1.9	2.2	V
REVERSE VOLTAGE	V _R	5	--		V
EMISSION WAVELENGTH	λ _P			570	nm
LUMINOUS INTENSITY	I _F		6.0	15.0	mcd

NOTES:

1. ALL DIMENSIONS IN MM [INCH]
2. GENERAL TOLERANCE: X.X=±0.4
X.XX=±0.25
3. TERM. NOS. FOR REFERENCE ONLY
4. RATINGS: 12mA @24V
- ▲ 5. CONTACT FIXED AND MOVING:
COPPER ALLOY W/ GOLD PLATE
6. CONTINUOUS CURRENT RATING: 120mA
7. POWER RATING: 240mW
8. OPERATING FORCE: <200gf
9. OPERATING TRAVEL: 2.5±0.2mm
10. ▲ DENOTES CRITICAL PARAMETER.



CIRCUIT: SPDT
CONTACT CONFIGURATION

E-SWITCH®

TITLE		5501MG RYYELGRN			
SCALE	DATE	DR	DWG	REV	
1:1	9/29/03	AR	XR0229P	B	

B	13513	CHANGE PART NUMBER	10/7/03	AR
A	13490	RELEASED FOR PRODUCTION	9/29/03	AR
REV.	ECN No.	DESCRIPTION	DATE	CHKD

THE INFORMATION CONTAINED IN THIS DOCUMENT IS PROPRIETARY TO E-SWITCH AND IS NOT TO BE COPIED OR TRANSFERRED

X-ON Electronics

Largest Supplier of Electrical and Electronic Components

Click to view similar products for [Pushbutton Switches](#) category:

Click to view products by [E-Switch](#) manufacturer:

Other Similar products are found below :

[8940K2012](#) [LW1L-M1C10V-A](#) [LW1L-M1C70-A](#) [LW2L-A1C20M-GD](#) [LW2L-M1C20M-A](#) [60324L](#) [M22-D-R-GB0/K11](#) [M7E-HRN2](#)
[67021K512](#) [67081K512X](#) [701PB580](#) [7190K101](#) [7199K101](#) [810K12910](#) [810KSV30B](#) [MML21EA2ADK](#) [MML21KA3ABK](#)
[MML23KA3AC05K-001](#) [MML23KW3AA01W](#) [8418K2](#) [8442K3](#) [8450K1](#) [860K11911T01A](#) [861901](#) [861K11911T01A07](#)
[861K13810T00A14](#) [861K13911](#) [8646AB6X718UL](#) [8646ABUL](#) [9001KXRK](#) [907AYY100](#) [PMHD155A1](#) [95-313.000](#)
[9533CD4+U574+U4922](#) [95-414.000](#) [99-450.837](#) [99-453.837](#) [PV3H2B0NN-341](#) [1203MRA](#) [A22NZBGANGA](#) [A22NZBMMNGA](#)
[A22NZBNANGA](#) [A22NZMPATRA](#) [A2PMA1X03EC56](#) [A3A-5123-02](#) [A3A-7140](#) [A3A-7310](#) [A3A-7340](#) [A3U-TMW-A2C-5M](#) [A595](#)