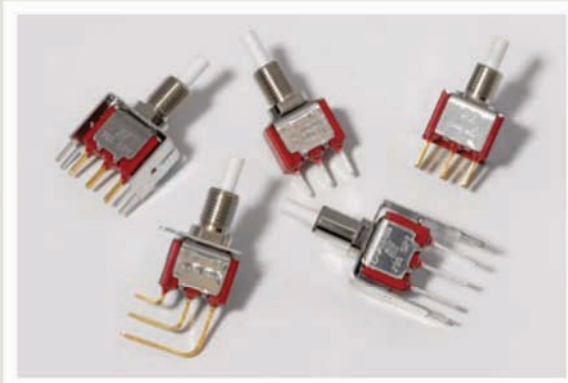




# SERIES 700C SWITCHES

## PUSHBUTTON SWITCHES - LATCHING



### SPECIFICATIONS

|                        |   |
|------------------------|---|
| Contact Rating:        | Gold, 0.4 VA Max @ 20V (AC or DC) Max<br>Silver, 3A @ 120 VAC or 28 VDC, 1A @ 250 VAC |
| Life Expectancy:       | 50,000 cycles   |
| Contact Resistance:    | 20mΩ  |
| Insulation Resistance: | 1000MΩ  |
| Dielectric Strength:   | 1000V RMS   |
| Actuation Force:       | SP7, 400 ±150 grams<br>DP7, 600 ±150 grams  |
| Operating Temperature: | -30°C to 85°C   |
| Travel:                | 3.0 mm  |

### FEATURES & BENEFITS

- ▶ Snap acting contact design
- ▶ Gold & silver contact options
- ▶ Multiple termination options
- ▶ Alternative action design

### APPLICATIONS/MARKETS

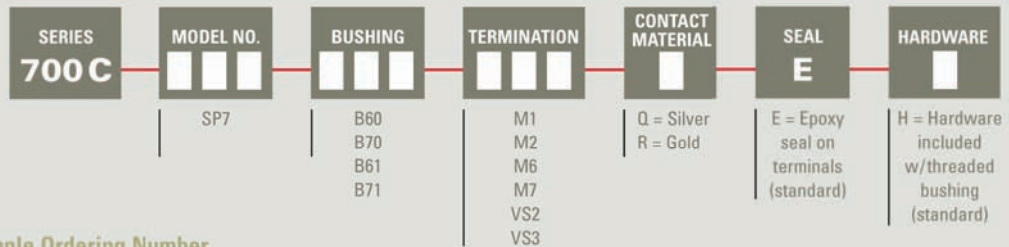
- ▶ Telecommunications
- ▶ Networking
- ▶ Computers/servers
- ▶ Performance audio
- ▶ Instrumentation
- ▶ Low power on/off designs
- ▶ External hard drives and modems

### MATERIALS

|            |                                    |
|------------|------------------------------------|
| Case:      | DAP, UL94V0                        |
| Actuator:  | Nylon, UL94V0                      |
| Frame:     | Stainless steel                    |
| Contacts:  | Brass, silver or gold plated       |
| Terminals: | Silver or gold plated copper alloy |



### HOW TO ORDER

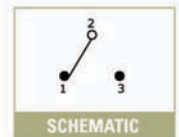
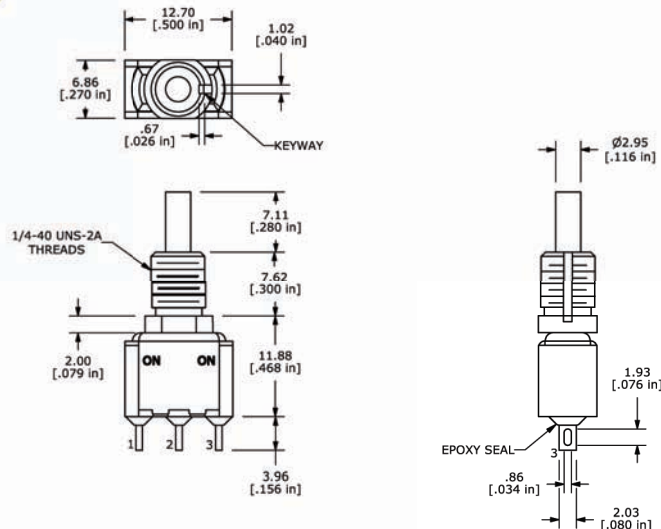


**Example Ordering Number**  
700C-SP7-B60-M1-Q-E-H

Specifications subject to change without notice.

## M1

### SOLDER



# SERIES 700C SWITCHES

## PUSHBUTTON SWITCHES - LATCHING

TACT  
SWITCHES

NAVIGATION  
SWITCHES

PUSHBUTTON  
SWITCHES

TOGGLE  
SWITCHES

ROCKER  
SWITCHES

SLIDE  
SWITCHES

SNAP-ACTION  
SWITCHES

DIP  
SWITCHES

KEYLOCK  
SWITCHES

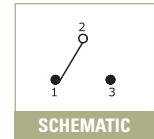
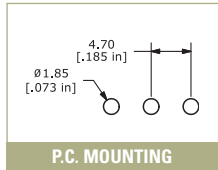
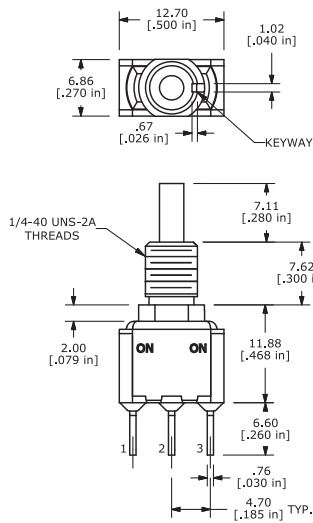
ROTARY  
SWITCHES

DETECTOR  
SWITCHES

CAP  
OPTIONS

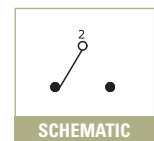
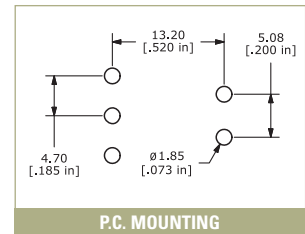
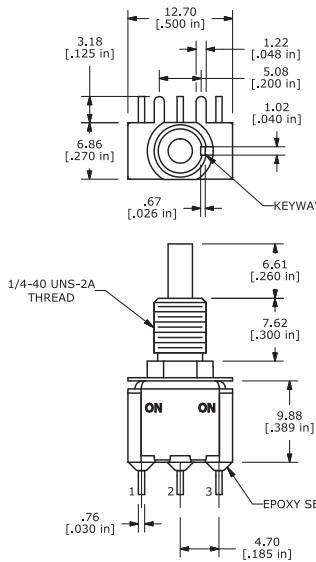
### M2

PC



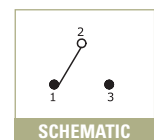
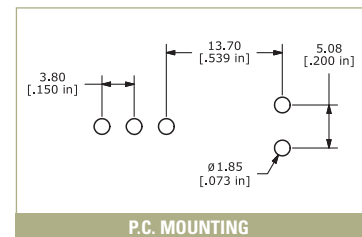
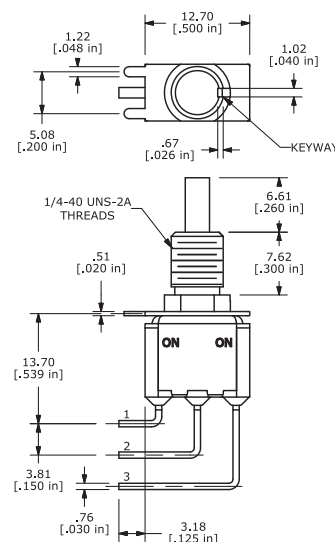
### M6

RIGHT ANGLE



### M7

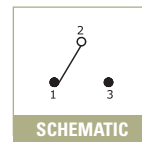
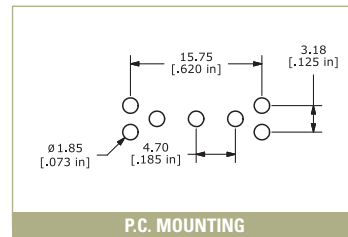
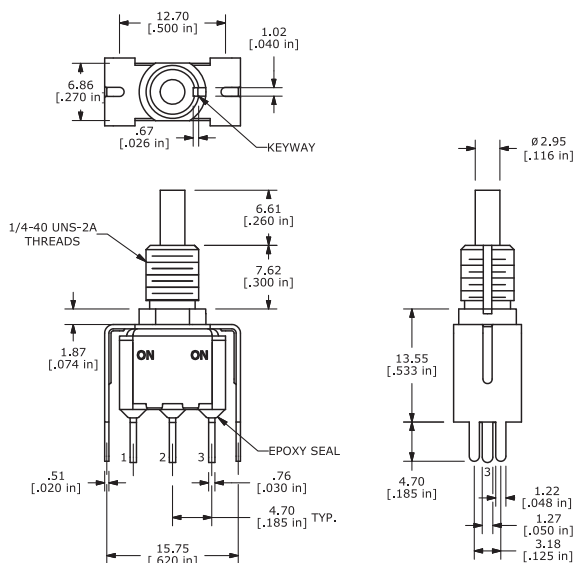
VERTICAL RIGHT ANGLE





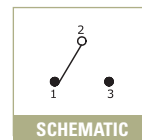
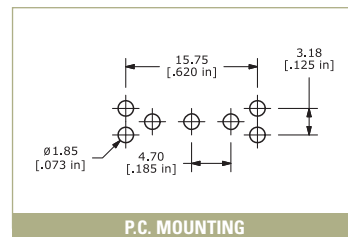
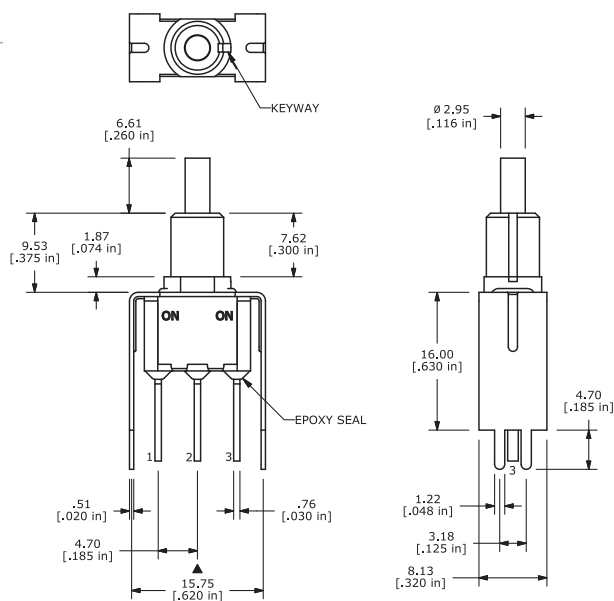
### VS2

#### 460 SUPPORT BRACKET

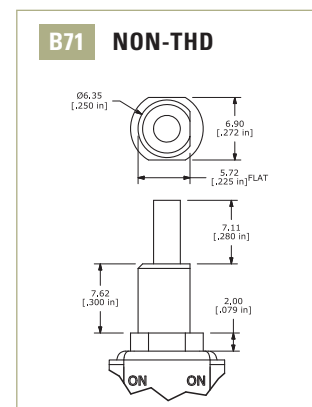
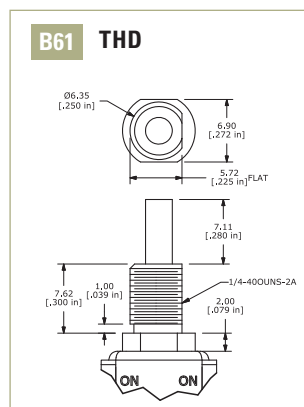
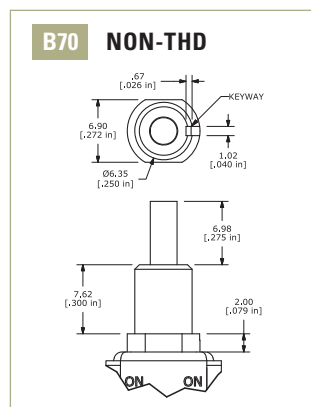
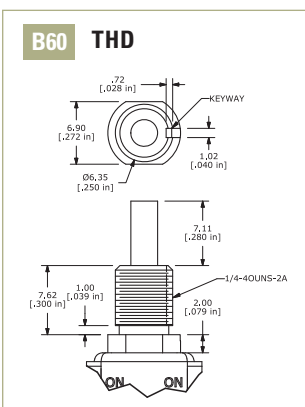


### VS3

#### 630 SUPPORT BRACKET



### BUSHING OPTIONS



## X-ON Electronics

Largest Supplier of Electrical and Electronic Components

*Click to view similar products for [Pushbutton Switches](#) category:*

*Click to view products by [E-Switch](#) manufacturer:*

Other Similar products are found below :

[8940K2012](#) [LW1L-M1C10V-A](#) [LW1L-M1C70-A](#) [LW2L-A1C20M-GD](#) [LW2L-M1C20M-A](#) [60324L](#) [M22-D-R-GB0/K11](#) [M7E-HRN2](#)  
[67021K512](#) [67081K512X](#) [701PB580](#) [7190K101](#) [7199K101](#) [810K12910](#) [810KSV30B](#) [MML21EA2ADK](#) [MML21KA3ABK](#)  
[MML23KA3AC05K-001](#) [MML23KW3AA01W](#) [8418K2](#) [8442K3](#) [8450K1](#) [860K11911T01A](#) [861901](#) [861K11911T01A07](#)  
[861K13810T00A14](#) [861K13911](#) [8646AB6X718UL](#) [8646ABUL](#) [9001KXRK](#) [907AYY100](#) [PMHD155A1](#) [95-313.000](#)  
[9533CD4+U574+U4922](#) [95-414.000](#) [99-450.837](#) [99-453.837](#) [PV3H2B0NN-341](#) [1203MRA](#) [A22NZBGANGA](#) [A22NZBMMNGA](#)  
[A22NZBNANGA](#) [A22NZMPATRA](#) [A2PMA1X03EC56](#) [A3A-5123-02](#) [A3A-7140](#) [A3A-7310](#) [A3A-7340](#) [A3U-TMW-A2C-5M](#) [A595](#)