



# SERIES 700 SWITCHES

## PUSHBUTTON SWITCHES - SNAP-ACTING PANEL MOUNTED

TACT SWITCHES

NAVIGATION SWITCHES

PUSHBUTTON SWITCHES

TOGGLE SWITCHES

ROCKER SWITCHES

SLIDE SWITCHES

SNAP-ACTION SWITCHES

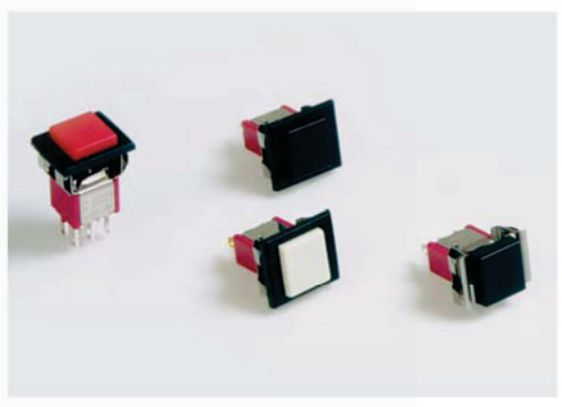
DIP SWITCHES

KEYLOCK SWITCHES

ROTARY SWITCHES

DETECTOR SWITCHES

CAP. OPTIONS



### SPECIFICATIONS

|                        |   |
|------------------------|---|
| Contact Rating:        | 1A @ 250 VAC<br>3A @ 120 VAC or 28VDC   |
| Life Expectancy:       | 50,000 cycles typical   |
| Contact Resistance:    | 10mΩ max., typical @ 2-4 VDC,<br>100mA for both silver and gold plated contacts |
| Insulation Resistance: | 1,000 MΩ min.   |
| Dielectric Strength:   | 1,000 V rms at sea level  |
| Actuation Force:       | 200 ± 50 gf   |
| Operating Temperature: | -30°C to +85°C  |

### MATERIALS

|           |  |
|-----------|--|
| Case:     | Diallyl Phthalate (DAP)                      |
| Plunger:  | Glass filled nylon or glass filled polyester |
| Bushing:  | Nickel plated brass                          |
| Housing:  | Stainless steel                              |
| Contacts: | Silver or Gold plated copper alloy           |

### FEATURES & BENEFITS

- ▶ Snap acting contact design
- ▶ Gold & silver contact options
- ▶ Multiple termination options
- ▶ Snap-in panel mount option

### APPLICATIONS/MARKETS

- ▶ Telecommunications
- ▶ Networking
- ▶ Computers/servers
- ▶ Performance audio
- ▶ Instrumentation
- ▶ Low power on/off designs
- ▶ External hard drives and modems



### HOW TO ORDER

| SERIES | MODEL NO.  | TERMINATION | CONTACT MATERIAL       | SEAL  | CAP/FRAME  | CAP COLOR   | FRAME COLOR   |
|--------|------------|-------------|------------------------|---|------------|---|---|
| 700    | SP7<br>DP7 | M1<br>M3    | Q = Silver<br>R = Gold | E = Epoxy<br>Sealed at<br>Base of<br>Terminal | AP1<br>AP2 | BLK = Black<br>RED = Red<br>GRY = Grey<br>WHT = White | BLK = Black<br>RED = Red<br>GRY = Grey<br>WHT = White |



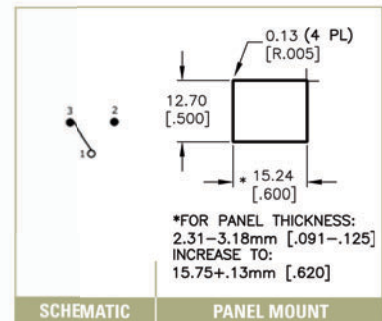
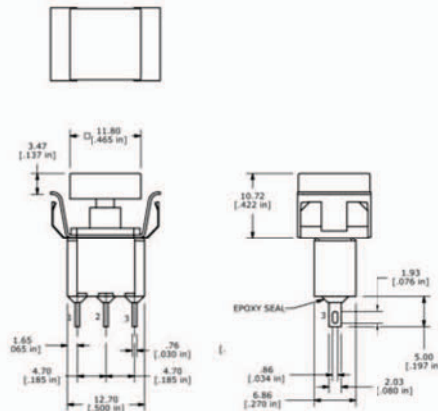
### Example Ordering Number

700-DP7-M1-Q-E-AP1-RED-RED

Specifications subject to change without notice.

## AP1

### CAP/FRAME SPDT



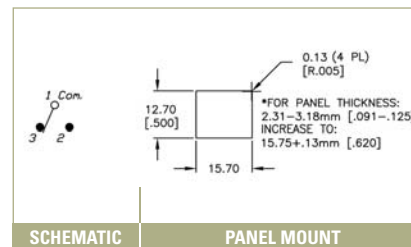
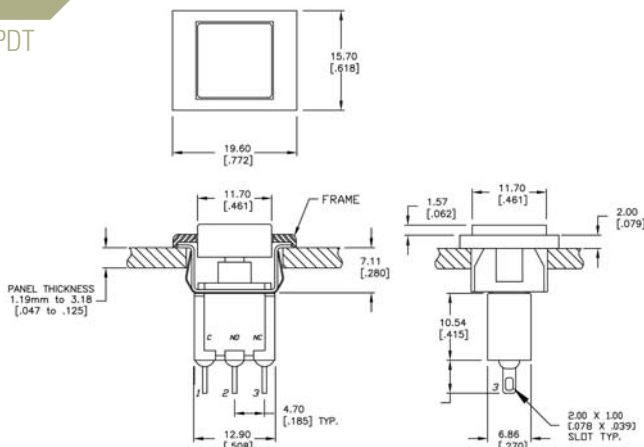
SCHEMATIC

PANEL MOUNT



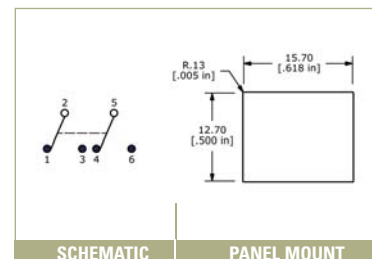
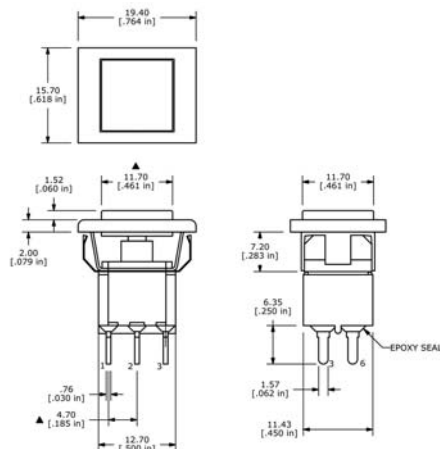
### AP2

#### CAP/FRAME SPDT

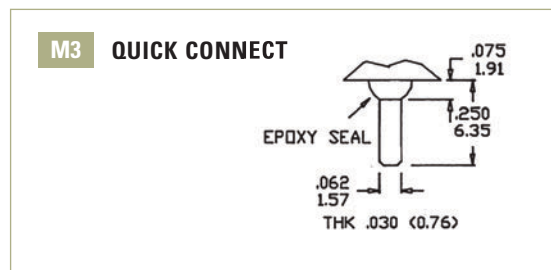
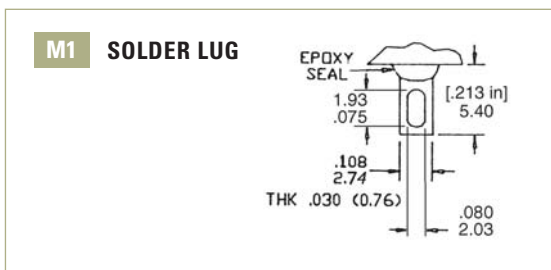


### AP2

#### CAP/FRAME DPDT



### TERMINATION OPTIONS FOR PANEL MOUNT



### CONTACT MATERIAL OPTIONS

| Q               |  |
|-----------------|--|
| Fixed Terminal: | Silver plated copper alloy                   |
| Moving Contact: | Silver plated copper alloy                   |
| Rating:         | 1 AMP @ 250 VAC<br>3 AMP @ 125 VAC or 28 VDC |

| R               |  |
|-----------------|--|
| Fixed Terminal: | Copper alloy with gold plate over nickel plate |
| Moving Contact: | Copper alloy with gold plate over nickel plate |
| Rating:         | 0.4 VA max. @ 20 VAC                           |

## X-ON Electronics

Largest Supplier of Electrical and Electronic Components

*Click to view similar products for [Pushbutton Switches](#) category:*

*Click to view products by [E-Switch](#) manufacturer:*

Other Similar products are found below :

[LW1L-M1C10V-A](#) [LW2L-A1C20M-GD](#) [LW2L-M1C20M-A](#) [60324L](#) [M7E-HRN2](#) [67021K512](#) [67081K512X](#) [701PB580](#) [719-5504-000](#)  
[MDPSSGLFS](#) [810KSV30B](#) [MML23KA3AC05K-001](#) [MML23KW3AA01W](#) [8418K2](#) [8646AB6X718UL](#) [8646ABUL](#) [FSDWH](#) [9001KXRK](#)  
[9001T8BK](#) [9533CD4+U574+U4922](#) [1203MRA](#) [A22EM01S](#) [A595](#) [1202A6](#) [12037A2ULCSA](#) [1203A2UL](#) [ABD122N-B](#) [1211390004](#)  
[ABN111-Y](#) [ABN400-R](#) [1211500044](#) [1211580012](#) [1212MRA](#) [1232A6NF](#) [RA3CSH6A](#) [1241.1183.7047](#) [1241.2511](#) [1241.3428](#)  
[1223A2ULCSA](#) [1223MRA](#) [1232AX2119](#) [1241.1183.8000](#) [1241.1183.8029](#) [1241.2506](#) [1241.2606](#) [12MA6](#) [1301940184](#)  
[RELBARF6X10\(PLASTIC\)](#) [13435AG](#) [13440AD2G25X822+U4546](#)