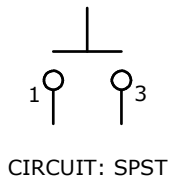
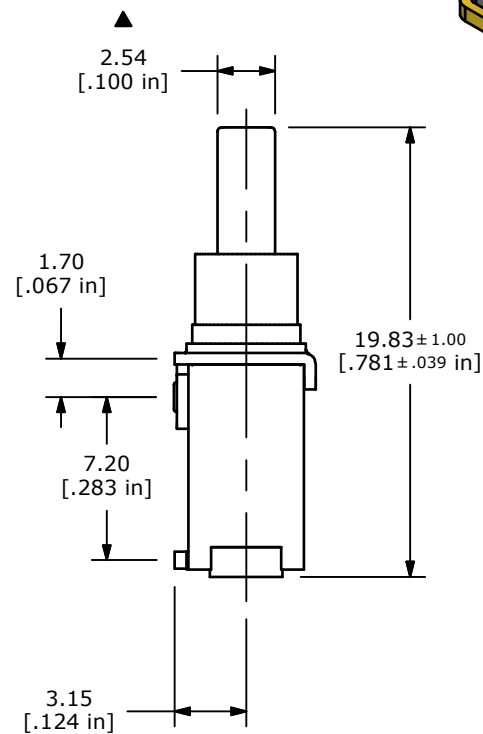
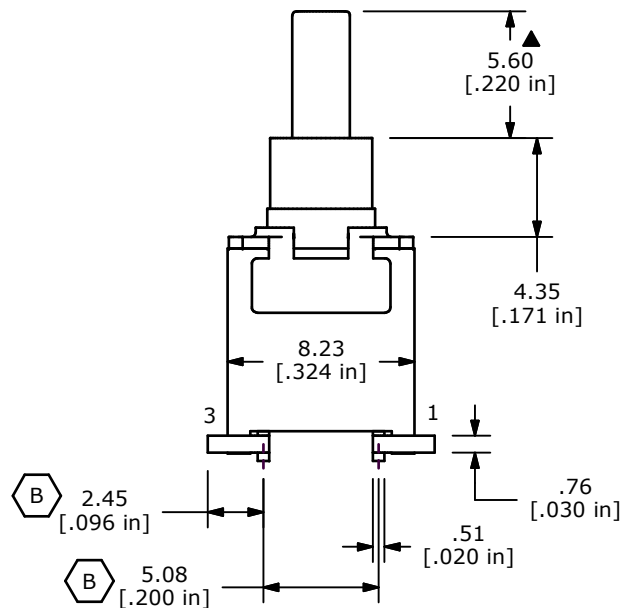


SWITCH FUNCTION	
POS. 1	POS. 2
OFF	(ON)
OPEN	1-3

(ON) = MOMENTARY



- NOTES:
- ALL DIMENSIONS IN MM [INCH].
  - TERMINAL NUMBERS FOR REF. ONLY.
  - GENERAL TOLERANCE: X.X=±0.4  
X.XX=±0.25
  - PLATING MATERIAL: SILVER
  - RATING: 3A @ 120VAC (or 28VDC)  
1A @ 250VAC
  - CONTACT RESISTANCE: 20 Milli-OHMS MAX.
  - MECHANICAL LIFE: 50,000 MAKE AND BREAK CYCLES AT FULL LOAD
  - INSULATION RESISTANCE: 1,000 MEGA-OHM MIN.
  - DIELECTRIC STRENGTH: 1,000 VRMS @ SEA LEVEL
  - OPERATING TEMPERATURE: -30°C TO 85°C
  - ▲ DENOTES CRITICAL PARAMETER
  - PACKAGED 500 PCS. / REEL
  - 2002/95/EC (ROHS) COMPLIANT.



TITLE 800BWSP9SM6QE				
SCALE 3:1	DATE 9/21/2009	DR BLR	DWG T833034	REV B

B	21447	CORRECT DIMENSIONS	4/29/14	EBP
A	18621	Release For Production	9/21/09	BLR
REV	PCR NO	DESCRIPTION	DATE	BY

THE INFORMATION CONTAINED IN THIS DOCUMENT IS PROPRIETARY TO E-SWITCH AND IS NOT TO BE COPIED OR TRANSFERRED

## X-ON Electronics

Largest Supplier of Electrical and Electronic Components

*Click to view similar products for [Pushbutton Switches](#) category:*

*Click to view products by [E-Switch](#) manufacturer:*

Other Similar products are found below :

[8940K2012](#) [LW1L-M1C10V-A](#) [LW1L-M1C70-A](#) [LW2L-A1C20M-GD](#) [LW2L-M1C20M-A](#) [60324L](#) [M22-D-R-GB0/K11](#) [M7E-HRN2](#)  
[67021K512](#) [67081K512X](#) [701PB580](#) [7190K101](#) [7199K101](#) [810K12910](#) [810KSV30B](#) [MML21EA2ADK](#) [MML21KA3ABK](#)  
[MML23KA3AC05K-001](#) [MML23KW3AA01W](#) [8418K2](#) [8442K3](#) [8450K1](#) [860K11911T01A](#) [861901](#) [861K11911T01A07](#)  
[861K13810T00A14](#) [861K13911](#) [8646AB6X718UL](#) [8646ABUL](#) [9001KXRK](#) [907AYY100](#) [PMHD155A1](#) [95-313.000](#)  
[9533CD4+U574+U4922](#) [95-414.000](#) [99-450.837](#) [99-453.837](#) [PV3H2B0NN-341](#) [1203MRA](#) [A22NZBGANGA](#) [A22NZBMMNGA](#)  
[A22NZBNANGA](#) [A22NZMPATRA](#) [A2PMA1X03EC56](#) [A3A-5123-02](#) [A3A-7140](#) [A3A-7310](#) [A3A-7340](#) [A3U-TMW-A2C-5M](#) [A595](#)