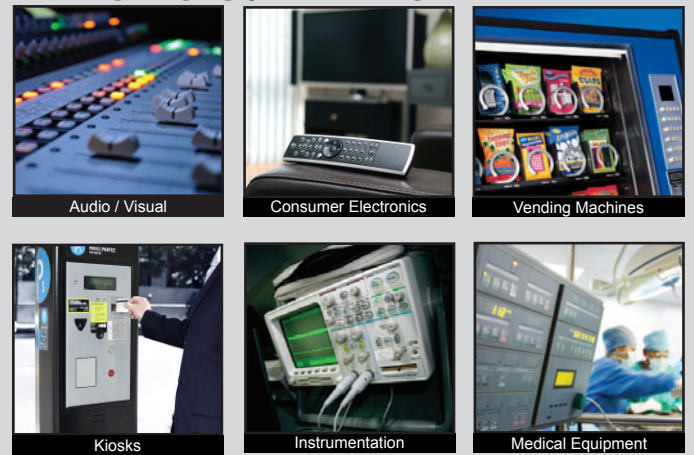


# 800C SERIES PUSHBUTTON SWITCH

ANTI-VANDAL SWITCHES  
 DETECTOR SWITCHES  
 DIP SWITCHES  
 KEYLOCK SWITCHES  
 NAVIGATION SWITCHES  
**PUSHBUTTON SWITCHES**  
 ROCKER SWITCHES  
 ROTARY SWITCHES  
 SLIDE SWITCHES  
 SNAP ACTION SWITCHES  
 TACTILE SWITCHES  
 TOGGLE SWITCHES  
 CAP OPTIONS



## APPLICATIONS / MARKETS



**RoHS**

## SPECIFICATIONS

**Electrical Rating:**  
 Silver: 3A @ 120VAC or 28 VDC, 1A @250VAC  
 Gold: 0.4VA @ 20V Max (AC or DC)  
**Electrical Life:** 6,000 Cycles  
**Contact Resistance:**  
 Silver: 50mΩ Max initial  
 Gold: 20mΩ Max initial  
**Insulation Resistance:** 1,000 MΩ Min. @1000VDC  
**Dielectric Strength:** 1000VAC for 1 minute  
**Operating/Storage Temperature:** -30°C to 85°C  
**Travel:** Electrical Make: 1.34mm / Full travel: 1.88mm  
**Circuit Function:** SPDT  
**Actuation Force:** 350 gf

## FEATURES & BENEFITS

- Miniature in size
- Multiple termination options
- Alternating action pushbutton

## PART NUMBER CONFIGURATOR

Series	Circuit	Bushing	Termination	Contact Material	Seal	Hardware
<input type="text" value="800C"/>	<input type="text" value="SP1 - ON-ON"/>	<input type="text" value="B5 - Threaded"/> <input type="text" value="B6 - Non-Threaded"/>	<input type="text" value="M1"/> <input type="text" value="M2"/> <input type="text" value="M6"/> <input type="text" value="M7"/>	<input type="text" value="Q - Silver"/> <input type="text" value="R - Gold"/>	<input type="text" value="E - Epoxy"/>	<input type="text" value="H - Hardware"/>

*Specifications subject to change without notice*



**E-SWITCH®**

www.e-switch.com

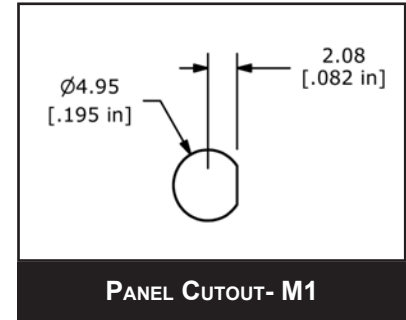
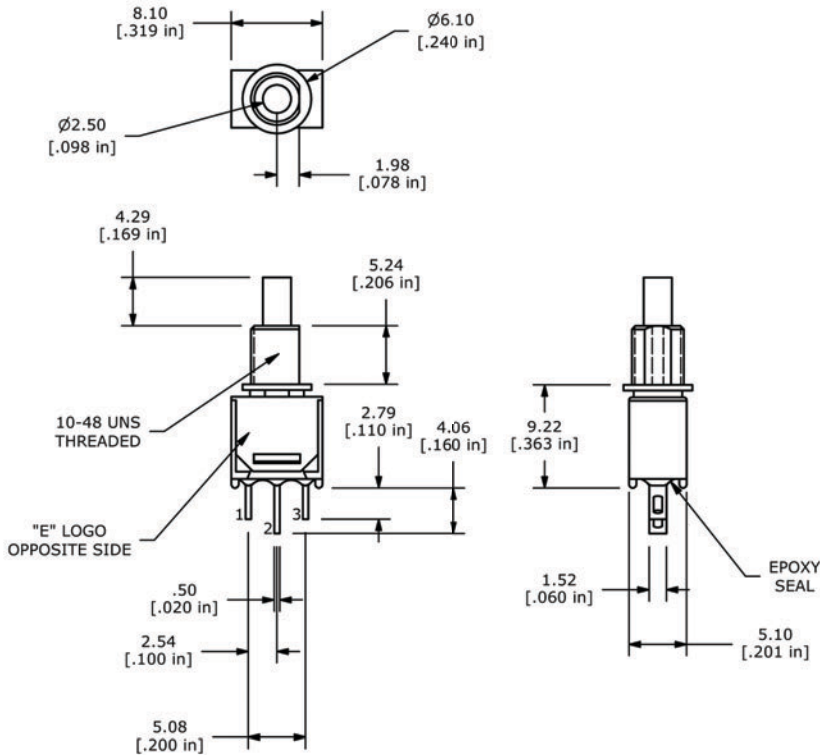
800.867.2717

2

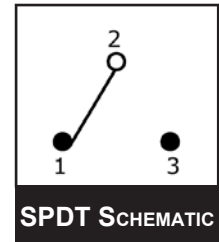
# 800C SERIES PUSHBUTTON SWITCH

## SPDT DIMENSIONS

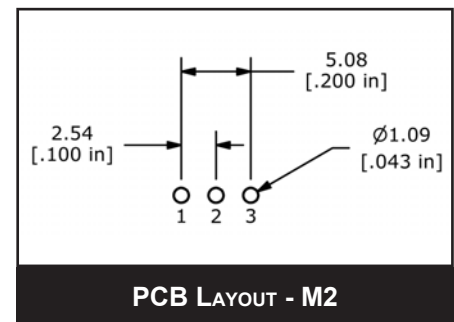
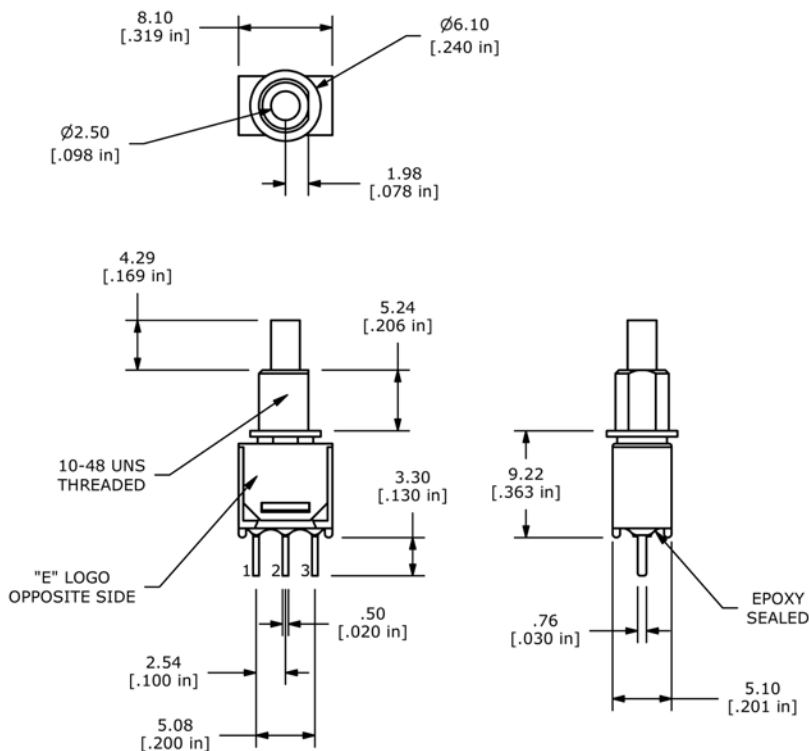
### M1 Termination



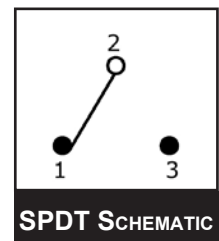
SWITCH FUNCTION	
POS. 1	POS. 2
ON	ON
2-1	2-3



### M2 Termination



SWITCH FUNCTION	
POS. 1	POS. 2
ON	ON
2-1	2-3

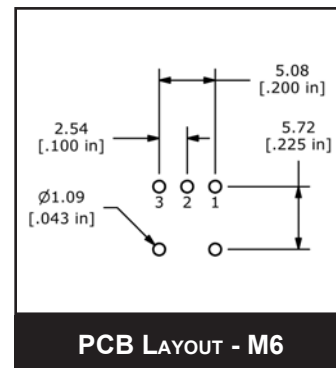
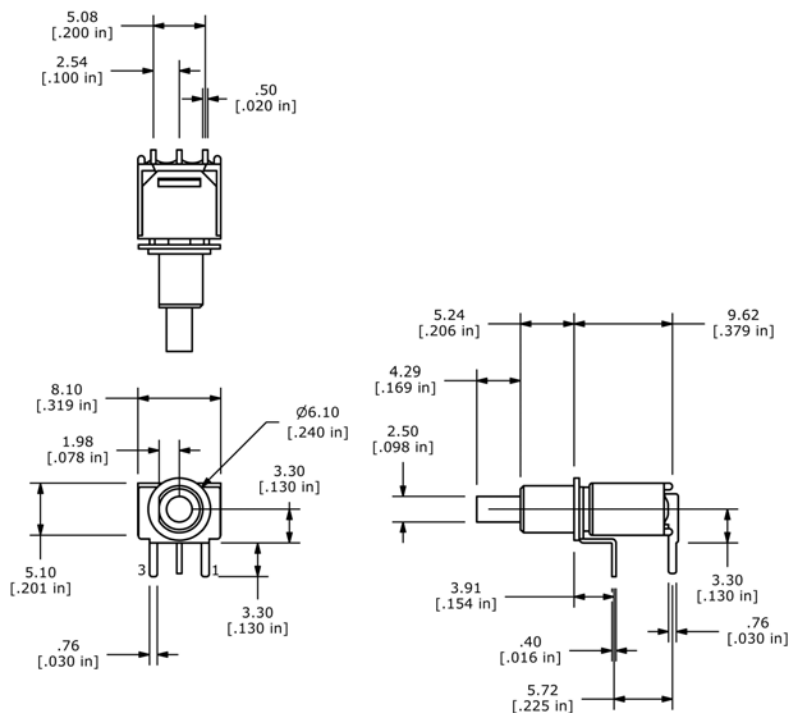


ANTI-VANDAL SWITCHES  
 DETECTOR SWITCHES  
 DIP SWITCHES  
 KEYLOCK SWITCHES  
 NAVIGATION SWITCHES  
**PUSHBUTTON SWITCHES**  
 ROCKER SWITCHES  
 ROTARY SWITCHES  
 SLIDE SWITCHES  
 SNAP ACTION SWITCHES  
 TACTILE SWITCHES  
 TOGGLE SWITCHES  
 CAP OPTIONS

# 800C SERIES PUSHBUTTON SWITCH

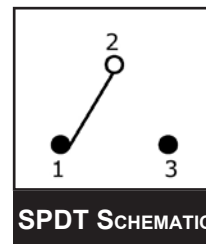
## SPDT DIMENSIONS

### M6 Termination



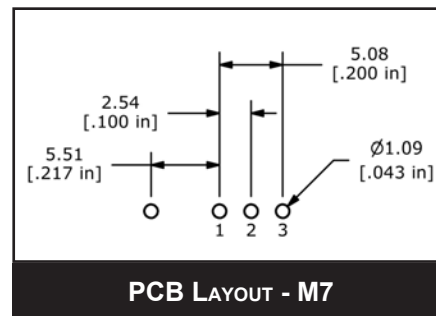
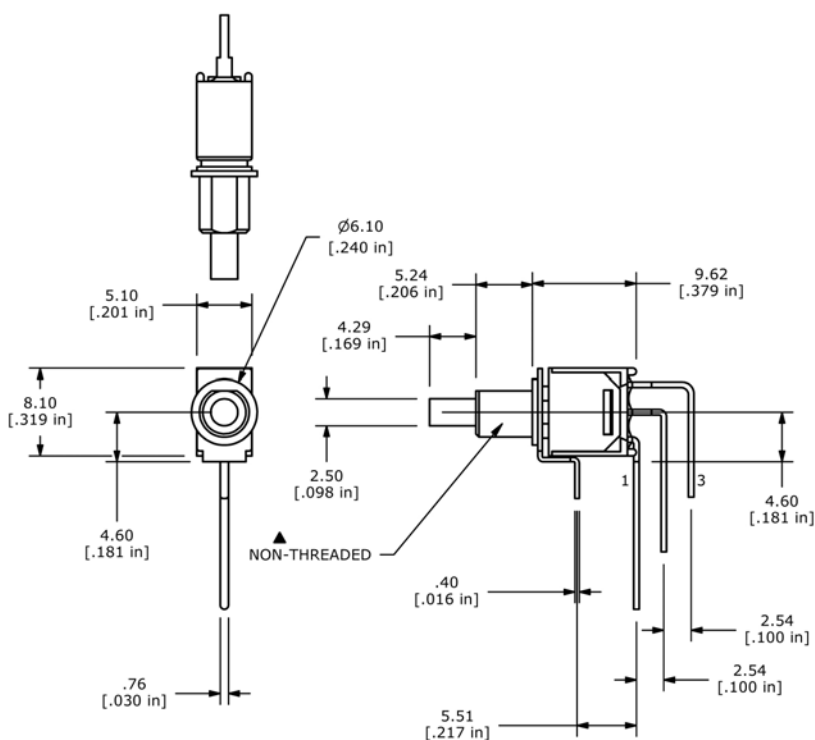
PCB LAYOUT - M6

SWITCH FUNCTION	
POS. 1	POS. 2
ON	ON
2-1	2-3



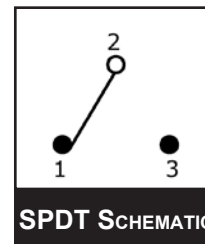
SPDT SCHEMATIC

### M7 Termination



PCB LAYOUT - M7

SWITCH FUNCTION	
POS. 1	POS. 2
ON	ON
2-1	2-3



SPDT SCHEMATIC



## X-ON Electronics

Largest Supplier of Electrical and Electronic Components

*Click to view similar products for [Pushbutton Switches](#) category:*

*Click to view products by [E-Switch](#) manufacturer:*

Other Similar products are found below :

[8940K2012](#) [LW1L-M1C10V-A](#) [LW1L-M1C70-A](#) [LW2L-A1C20M-GD](#) [LW2L-M1C20M-A](#) [60324L](#) [M22-D-R-GB0/K11](#) [M7E-HRN2](#)  
[67021K512](#) [67081K512X](#) [701PB580](#) [7190K101](#) [7199K101](#) [810K12910](#) [810KSV30B](#) [MML21EA2ADK](#) [MML21KA3ABK](#)  
[MML23KA3AC05K-001](#) [MML23KW3AA01W](#) [8418K2](#) [8442K3](#) [8450K1](#) [860K11911T01A](#) [861901](#) [861K11911T01A07](#)  
[861K13810T00A14](#) [861K13911](#) [8646AB6X718UL](#) [8646ABUL](#) [9001KXRK](#) [907AYY100](#) [PMHD155A1](#) [95-313.000](#)  
[9533CD4+U574+U4922](#) [95-414.000](#) [99-450.837](#) [99-453.837](#) [PV3H2B0NN-341](#) [1203MRA](#) [A22NZBGANGA](#) [A22NZBMMNGA](#)  
[A22NZBNANGA](#) [A22NZMPATRA](#) [A2PMA1X03EC56](#) [A3A-5123-02](#) [A3A-7140](#) [A3A-7310](#) [A3A-7340](#) [A3U-TMW-A2C-5M](#) [A595](#)