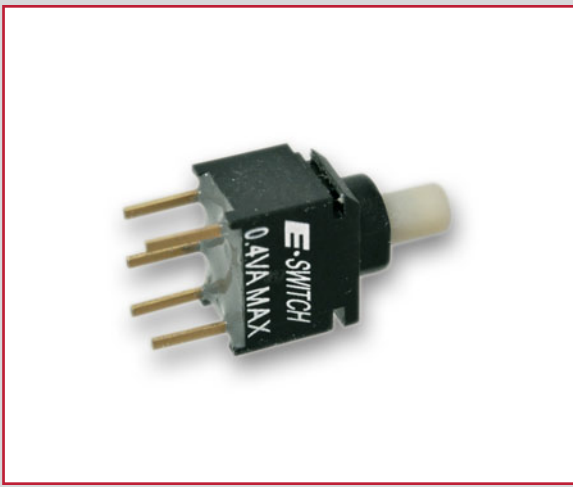
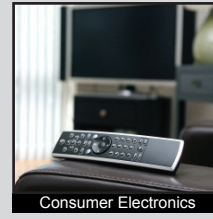
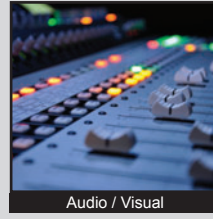


# 800U SERIES PUSHBUTTON SWITCH

ANTI-VANDAL SWITCHES  
 DETECTOR SWITCHES  
 DIP SWITCHES  
 KEYLOCK SWITCHES  
 NAVIGATION SWITCHES  
**PUSHBUTTON SWITCHES**  
 ROCKER SWITCHES  
 ROTARY SWITCHES  
 SLIDE SWITCHES  
 SNAP ACTION SWITCHES  
 TACTILE SWITCHES  
 TOGGLE SWITCHES  
 CAP OPTIONS



## APPLICATIONS / MARKETS



**RoHS**

## SPECIFICATIONS

**Electrical Rating:** 0.4VA @ 20V Max (AC or DC)  
**Mechanical Life:** 40,000 Cycles  
**Electrical Life:** 6,000 Cycles  
**Contact Resistance:** 100mΩ initial  
**Insulation Resistance:** 500 MΩ Min.  
**Dielectric Strength:** 500VAC  
**Operating/Storage Temperature:** -30°C to 85°C  
**Travel:** 1.0mm  
**Circuit Function:** SPDT, DPDT  
**Actuation Force:** 250 gf

## FEATURES & BENEFITS

- Ultra-miniature in size
- IP67 rated
- Multiple termination options
- Multiple cap colors
- Single or double pole

## PART NUMBER CONFIGURATOR

Series	Circuit	Function	Actuator	Bushing	Terminal	Contact Material	Seal	Cap	Cap Color
800U	SP - Single Pole DP - Double Pole	8 - ON - (ON)*	P1 - 3.30 High	A1 - 1.6 High	M2 - PC thru-hole M6 - Right Angle, PC thru-hole M7 - Vertical right angle, PC thru-hole	R - Gold	E - Epoxy	None R1 - 4.0 dia. round	None BLK - Black RED - Red WHT - White

### CAP CONFIGURATOR\*

Series	Cap Style	Cap Color
800U	R1	BLK - Black RED - Red WHT - White

\* ( ) denotes momentary

\*You can order just the switch with or without the cap using the first ordering code above, or you can order the cap as a separate part number using the smaller ordering code directly above.

Specifications subject to change without notice



**E-SWITCH®**

www.e-switch.com

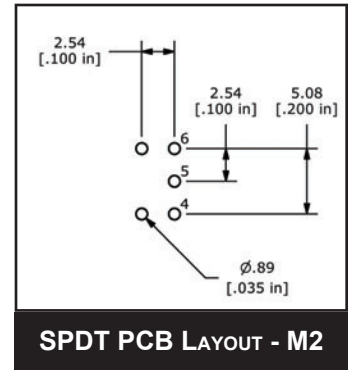
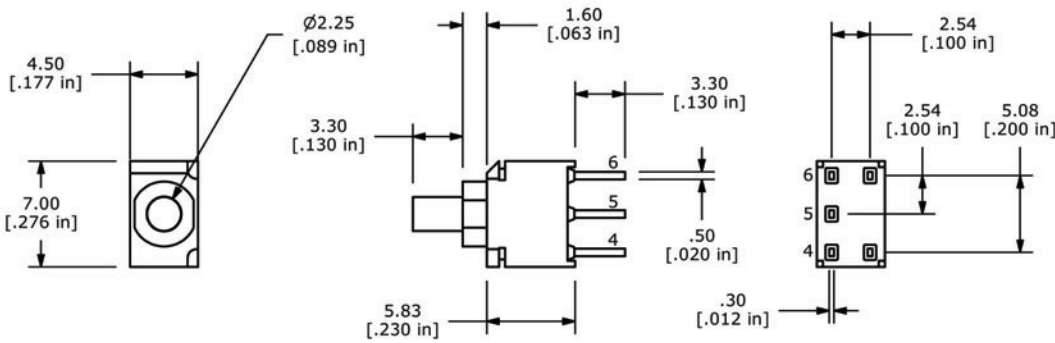
800.867.2717

2

# 800U SERIES PUSHBUTTON SWITCH

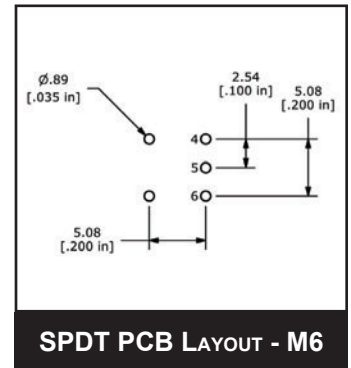
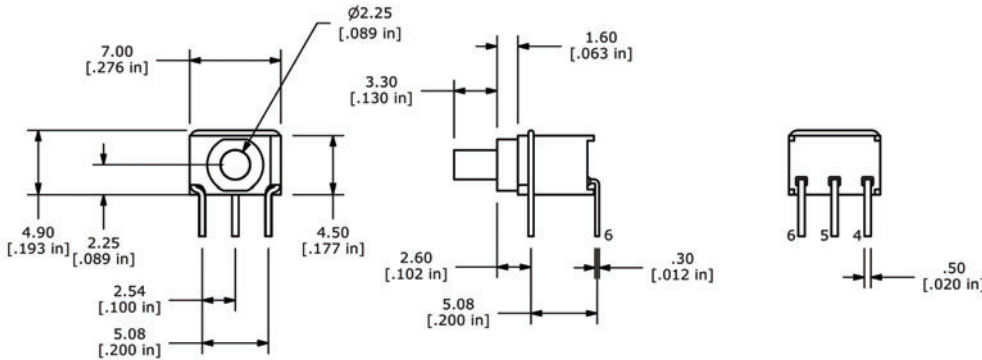
## SPDT DIMENSIONS

### M2 Termination



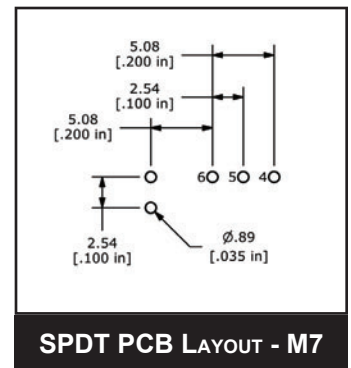
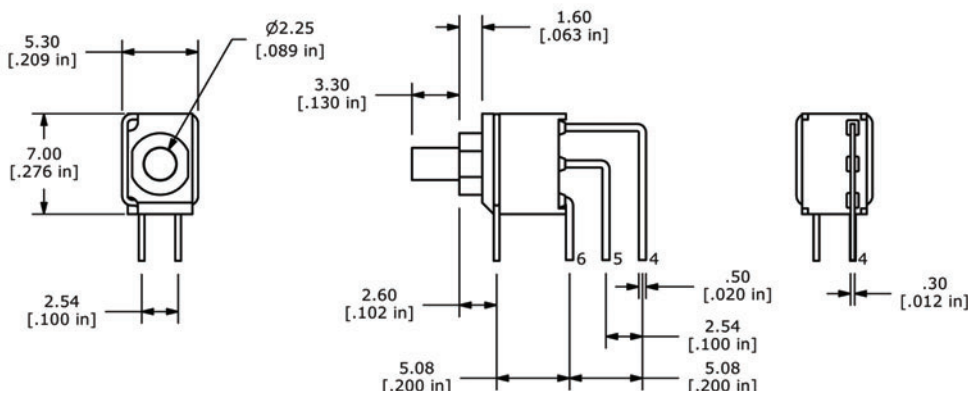
SPDT PCB LAYOUT - M2

### M6 Termination

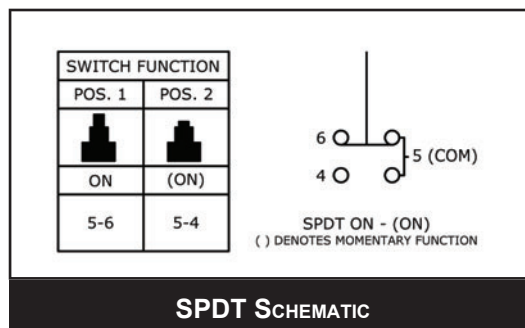


SPDT PCB LAYOUT - M6

### M7 Termination



SPDT PCB LAYOUT - M7

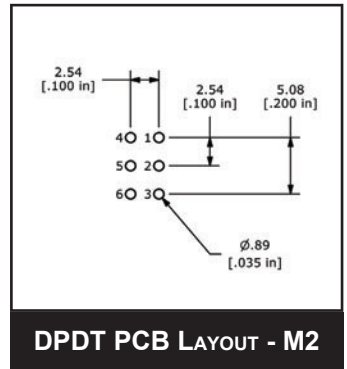
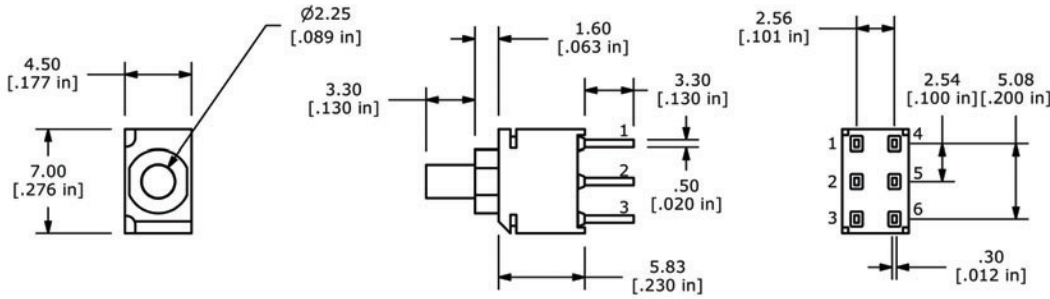


ANTI-VANDAL SWITCHES  
DETECTOR SWITCHES  
DIP SWITCHES  
KEYLOCK SWITCHES  
NAVIGATION SWITCHES  
PUSHBUTTON SWITCHES  
ROCKER SWITCHES  
ROTARY SWITCHES  
SLIDE SWITCHES  
SNAP ACTION SWITCHES  
TACTILE SWITCHES  
TOGGLE SWITCHES  
CAP OPTIONS

# 800U SERIES PUSHBUTTON SWITCH

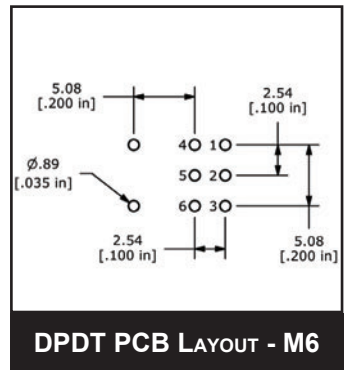
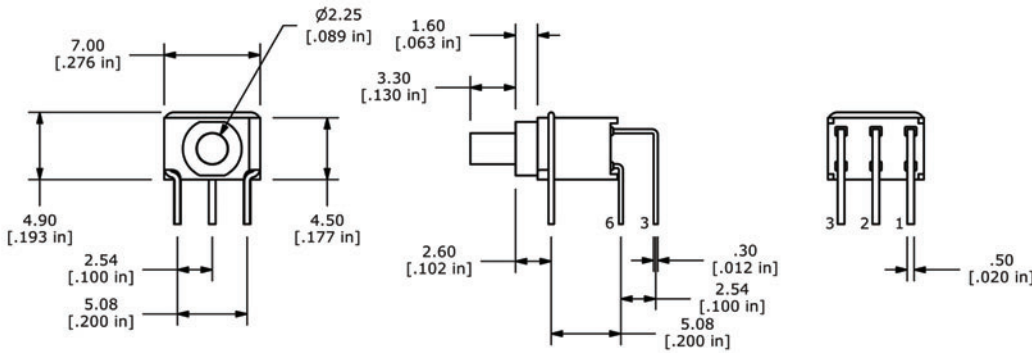
## DPDT DIMENSIONS

### M2 Termination



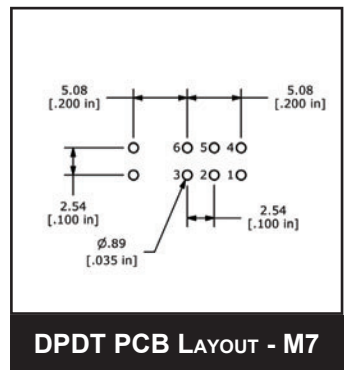
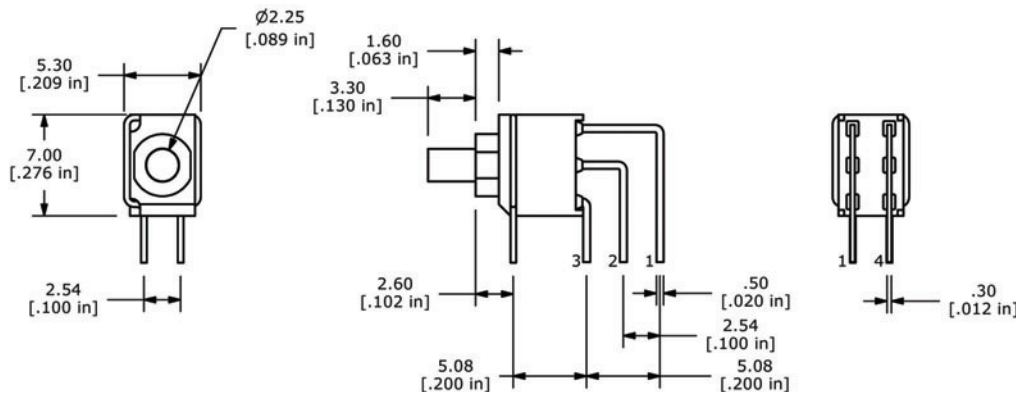
DPDT PCB LAYOUT - M2

### M6 Termination

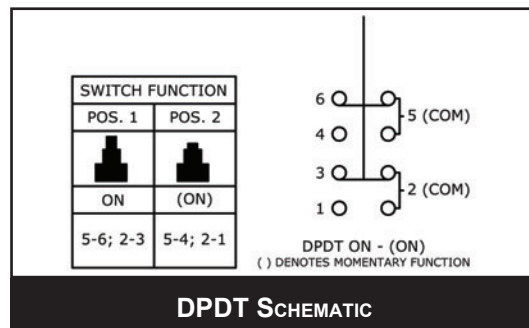


DPDT PCB LAYOUT - M6

### M7 Termination



DPDT PCB LAYOUT - M7



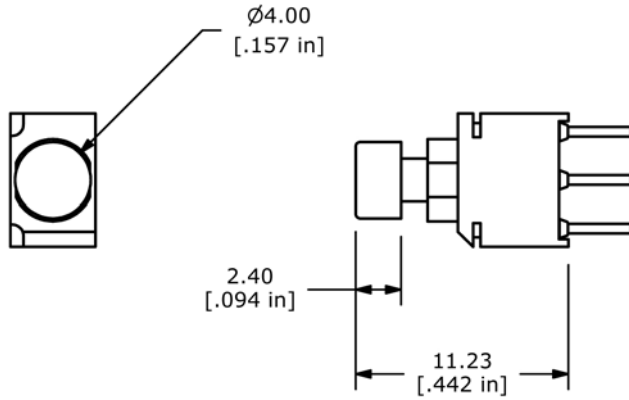
DPDT SCHEMATIC



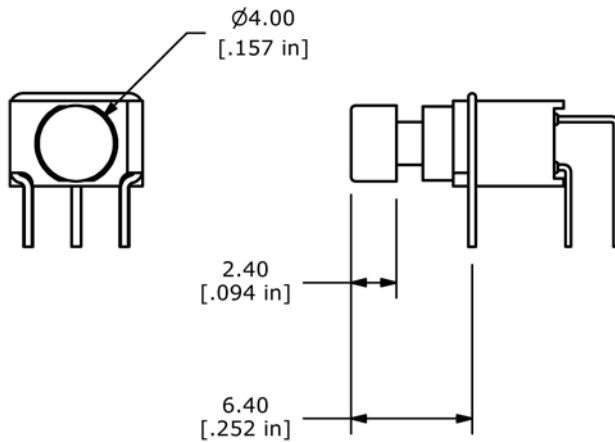
## BUTTON POSITIONING

For specifications, please refer to the dimensions on previous pages.

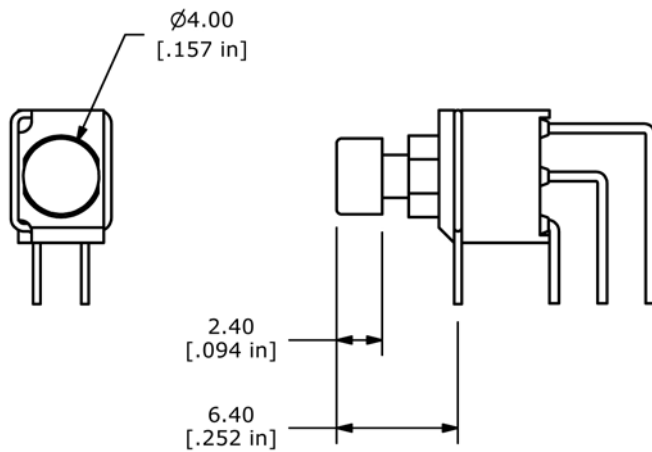
### M2 Button



### M6 Button



### M7 Button



## X-ON Electronics

Largest Supplier of Electrical and Electronic Components

*Click to view similar products for [Pushbutton Switches](#) category:*

*Click to view products by [E-Switch](#) manufacturer:*

Other Similar products are found below :

[8940K2012](#) [LW1L-M1C10V-A](#) [LW1L-M1C70-A](#) [LW2L-A1C20M-GD](#) [LW2L-M1C20M-A](#) [60324L](#) [M22-D-R-GB0/K11](#) [M7E-HRN2](#)  
[67021K512](#) [67081K512X](#) [701PB580](#) [7190K101](#) [7199K101](#) [810K12910](#) [810KSV30B](#) [MML21EA2ADK](#) [MML21KA3ABK](#)  
[MML23KA3AC05K-001](#) [MML23KW3AA01W](#) [8418K2](#) [8442K3](#) [8450K1](#) [860K11911T01A](#) [861901](#) [861K11911T01A07](#)  
[861K13810T00A14](#) [861K13911](#) [8646AB6X718UL](#) [8646ABUL](#) [9001KXRK](#) [907AYY100](#) [PMHD155A1](#) [95-313.000](#)  
[9533CD4+U574+U4922](#) [95-414.000](#) [99-450.837](#) [99-453.837](#) [PV3H2B0NN-341](#) [1203MRA](#) [A22NZBGANGA](#) [A22NZBMMNGA](#)  
[A22NZBNANGA](#) [A22NZMPATRA](#) [A2PMA1X03EC56](#) [A3A-5123-02](#) [A3A-7140](#) [A3A-7310](#) [A3A-7340](#) [A3U-TMW-A2C-5M](#) [A595](#)