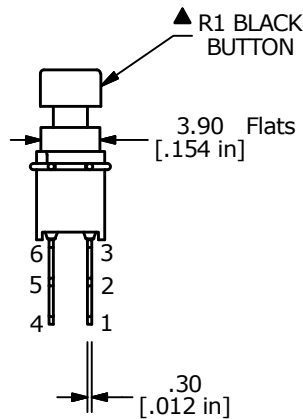
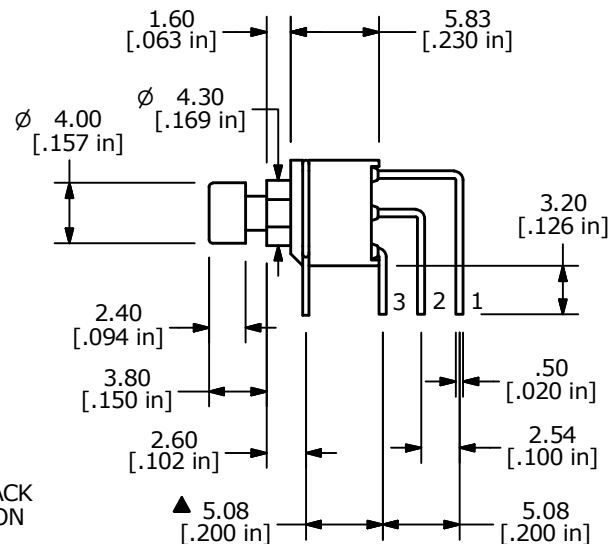
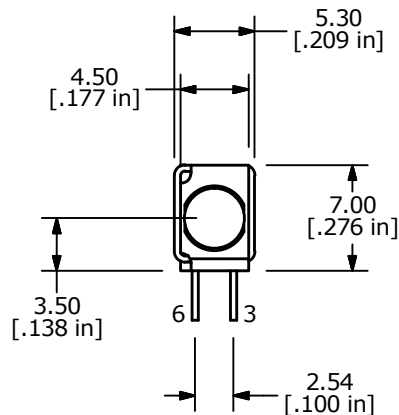


| SWITCH FUNCTION |          |
|-----------------|----------|
| POS. 1          | POS. 2   |
|                 |          |
| ON              | (ON)     |
| 2-3; 5-6        | 2-1; 5-4 |

(ON)=MOMENTARY

NOTE:

1. ALL DIMENSIONS IN MM [INCH]
2. GENERAL TOLERANCE: X.X = ±0.4  
X.XX = ±0.25
3. TERMINAL NUMBERS FOR REF ONLY
- ▲ 4. CONTACTS: GOLD PLATED
5. TRAVEL: 1.0mm
6. RATING: 0.4 VA max. @ 20V AC or DC max.
7. CONTACT RESISTANCE: <100 MILLI-OHM
8. ELECTRICAL LIFE: 6,000 MAKE-AND-BREAK CYCLES.
9. INSULATION RESISTANCE: 500 MOHM @ 500VDC min.
10. DIELECTRIC STRENGTH: 500 V RMS @SEA LEVEL.
11. OPERATING TEMP.: -30°C to 85°C
12. ▲ DENOTES CRITICAL PARAMETER.
13. SEAL RATING: IP67
14. 2011/65/EU (ROHS) COMPLIANT



|     |        |                |          |    |
|-----|--------|----------------|----------|----|
| B   | 23148  | drawing update | 12/27/17 | MW |
| A   | 21940  | New Release    | 8/3/15   | rc |
| REV | PCR NO | DESCRIPTION    | DATE     | BY |

|                            |                |       |             |       |
|----------------------------|----------------|-------|-------------|-------|
| TITLE 800UDP8P1A1M7RER1BLK |                |       |             |       |
| SCALE 2:1                  | DATE 7/27/2015 | DR rc | DWG T850008 | REV B |

THE INFORMATION CONTAINED IN THIS DOCUMENT IS PROPRIETARY TO E-SWITCH AND IS NOT TO BE COPIED OR TRANSFERRED

## X-ON Electronics

Largest Supplier of Electrical and Electronic Components

*Click to view similar products for [Pushbutton Switches](#) category:*

*Click to view products by [E-Switch](#) manufacturer:*

Other Similar products are found below :

[8940K2012](#) [LW1L-M1C10V-A](#) [LW1L-M1C70-A](#) [LW2L-A1C20M-GD](#) [LW2L-M1C20M-A](#) [60324L](#) [M22-D-R-GB0/K11](#) [M7E-HRN2](#)  
[67021K512](#) [67081K512X](#) [701PB580](#) [7190K101](#) [7199K101](#) [810K12910](#) [810KSV30B](#) [MML21EA2ADK](#) [MML21KA3ABK](#)  
[MML23KA3AC05K-001](#) [MML23KW3AA01W](#) [8418K2](#) [8442K3](#) [8450K1](#) [860K11911T01A](#) [861901](#) [861K11911T01A07](#)  
[861K13810T00A14](#) [861K13911](#) [8646AB6X718UL](#) [8646ABUL](#) [9001KXRK](#) [907AYY100](#) [PMHD155A1](#) [95-313.000](#)  
[9533CD4+U574+U4922](#) [95-414.000](#) [99-450.837](#) [99-453.837](#) [PV3H2B0NN-341](#) [1203MRA](#) [A22NZBGANGA](#) [A22NZBMMNGA](#)  
[A22NZBNANGA](#) [A22NZMPATRA](#) [A2PMA1X03EC56](#) [A3A-5123-02](#) [A3A-7140](#) [A3A-7310](#) [A3A-7340](#) [A3U-TMW-A2C-5M](#) [A595](#)