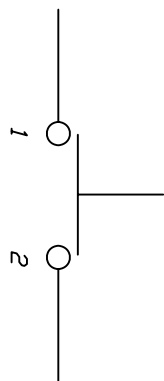
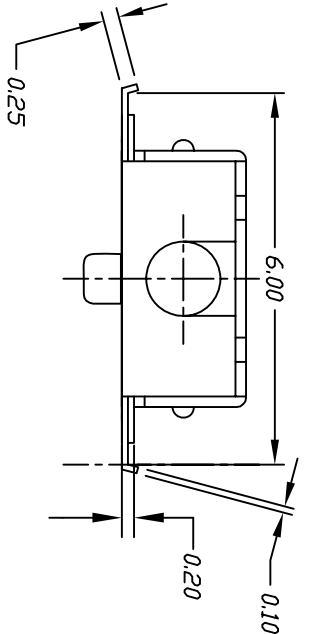
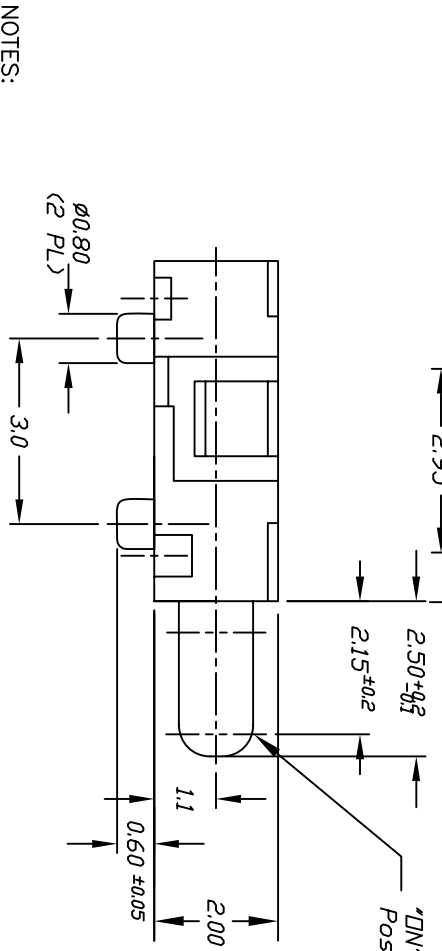


RECOMMENDED P.C.B. LAYOUT



- NOTES:
1. ALL DIMENSIONS IN MM
  2. GENERAL TOLERANCE: X.X=±0.4  
X.XX=±0.2
  3. TRAVEL (TOTAL): 2.0 mm
  4. OPERATING FORCE: 50gf Max.
  5. RATING: 12V DC, 100mA (Resistive load)
  6. CONTACT RATING: 80m ohms max.
  7. OPERATING TEMP. -20°C to 80°C
  8. MATERIALS  
HOUSING: 4/6 NYLON  
ACTUATOR: 6T NYLON  
COVER/SPRING: STAINLESS STEEL  
CONTACTS: SILVER PLATED PHOSPHOR BRONZE  
TERMINALS: SILVER PLATED BRASS
  9. PACKAGING: TAPE AND REEL, 1900 PIECES PER REEL.

CONTACT CONFIGURATION  
SPST NORMALLY OPEN (N.O.) CONTACTS



REV.	ECN No.	DESCRIPTION	DATE	CHKD
H	15120	REVISED TERMINAL SHAPE	7/28/05	RC
G	12884	ADD PCB CENTER TO CENTER	3/5/03	CB
F	12751	REVISED, ADD NEW DIM	1/23/03	CB
E	12201	ADD NOTE 8	5/31/02	CB

TITLE		SCALE	DATE	DR	DWG	REV
900 BG Q		8:1	8/24/98	MM		H
P010901						

THE INFORMATION CONTAINED IN THIS DOCUMENT IS PROPRIETARY TO E-SWITCH AND IS NOT TO BE COPIED OR TRANSFERRED

## X-ON Electronics

Largest Supplier of Electrical and Electronic Components

*Click to view similar products for [Detector Switches](#) category:*

*Click to view products by [E-Switch](#) manufacturer:*

Other Similar products are found below :

[E3S-LS5C4S](#) [SPVQ850300](#) [21075-6](#) [SPVQ860100](#) [K2CU-F20A-F AC220](#) [D3DM0005H](#) [D3DM0001E](#) [D3DM0003A](#) [HARB0012](#) [PP2-7H1-2D2](#) [PP1-FB7-2D2](#) [PP2-7U1-2B2](#) [PP1-ET7-2B2](#) [MR1000AWA](#) [MR1000BWA](#) [ESE-31R11T](#) [ESE-23F101](#) [ESE-13V01D](#) [ESE-13V01C](#) [ESE-13V01A](#) [ESE-13H01B](#) [ESE-11MH1T](#) [ESE-11MH2T](#) [ESE-11MV1](#) [ESE-31L11T](#) [HDS001R](#) [SPVL110102](#) [ESE-13V01B](#) [ESE-23J101](#) [SPPW811200](#) [ESE-58R61B](#) [SPVQ361300](#) [ESE-58R11B](#) [SPVT210201](#) [SPVL120101](#) [ESE-24CMV9T](#) [DS080](#) [DS0900502RP](#) [T0-SCB22MP1NC1](#) [T0-SCB22MP1NSX](#) [ESE-13H01A](#) [ESE-13H01C](#) [ESE-13H01D](#) [SPVN210101](#) [SPPB110300](#) [SPPB120200](#) [SPPB1A0100](#) [SPPB1A0101](#) [SPPB2A0100](#) [SPPB2A0101](#)