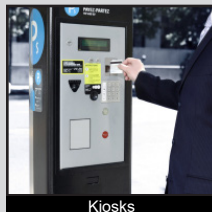


CS SERIES ANTI-VANDAL SWITCH

ANTI-VANDAL SWITCHES
 DETECTOR SWITCHES
 DIP SWITCHES
 KEYLOCK SWITCHES
 NAVIGATION SWITCHES
 PUSHBUTTON SWITCHES
 ROCKER SWITCHES
 ROTARY SWITCHES
 SLIDE SWITCHES
 SNAP ACTION SWITCHES
 TACTILE SWITCHES
 TOGGLE SWITCHES
 CAP OPTIONS



APPLICATIONS / MARKETS



RoHS

SPECIFICATIONS

Contact Arrangement: SPST
Contact Rating: 1A @ 5-24VDC
Contact Resistance: 1Ω Max.
Electrical Life: 50,000,000 Cycles
Operating Temperature: -20°C to 65°C
Storage Temperature: -25°C to 65°C
Panel Thickness: 10mm Max.
Mounting Nut Torque: 3.0Nm

FEATURES & BENEFITS

- 19mm or 22mm panel cutouts
- Latching or Momentary Function options
- Ring or Ring/Power Symbol lens options
- RGB color option
- Capacitive switching technology (Touch Sensor)

PART NUMBER CONFIGURATOR

Series	Size Option	Function	Material Finish	Button Style	Lens Style
<input type="text" value="CS"/>	<input type="text" value="4 - 19mm"/> <input type="text" value="7 - 22mm"/>	<input type="text" value="L - Latching"/> <input type="text" value="M - Momentary"/>	<input type="text" value="2 - Aluminum, Clear Anodized"/>	<input type="text" value="F - Flat"/>	<input type="text" value="R - Ring Illumination"/> <input type="text" value="P - Power Symbol and Ring Illuminated"/>

NOTES:
 *(ON) Denotes function is momentary

Specifications subject to change without notice 1.21.2019



E-SWITCH®

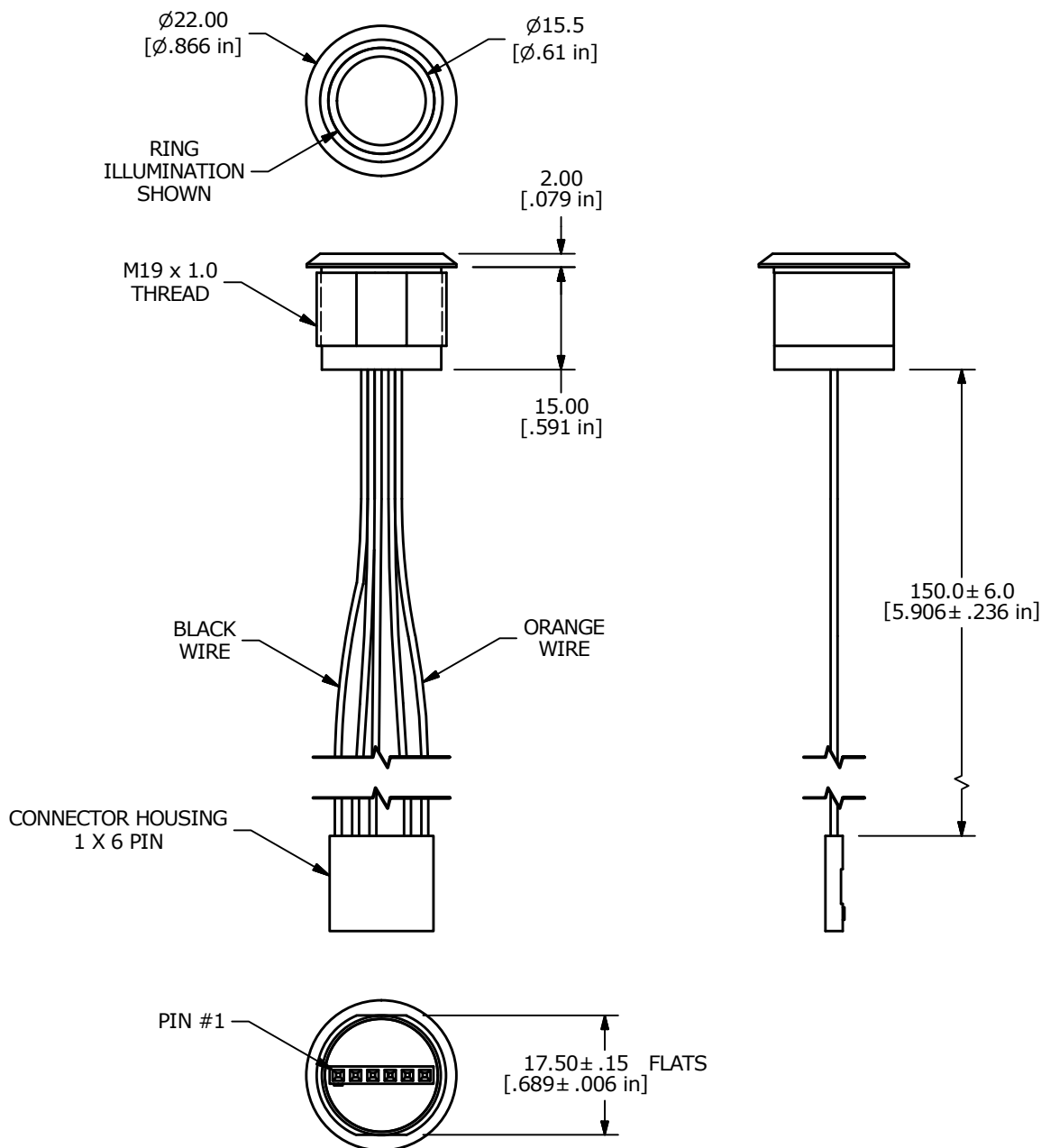
www.e-switch.com

800.867.2717

1

CS SERIES ANTI-VANDAL SWITCH

BODY DIMENSIONS 19MM



ANTI-VANDAL SWITCHES

DETECTOR SWITCHES

DIP SWITCHES

KEYLOCK SWITCHES

NAVIGATION SWITCHES

PUSHBUTTON SWITCHES

ROCKER SWITCHES

ROTARY SWITCHES

SLIDE SWITCHES

SNAP ACTION SWITCHES

TACTILE SWITCHES

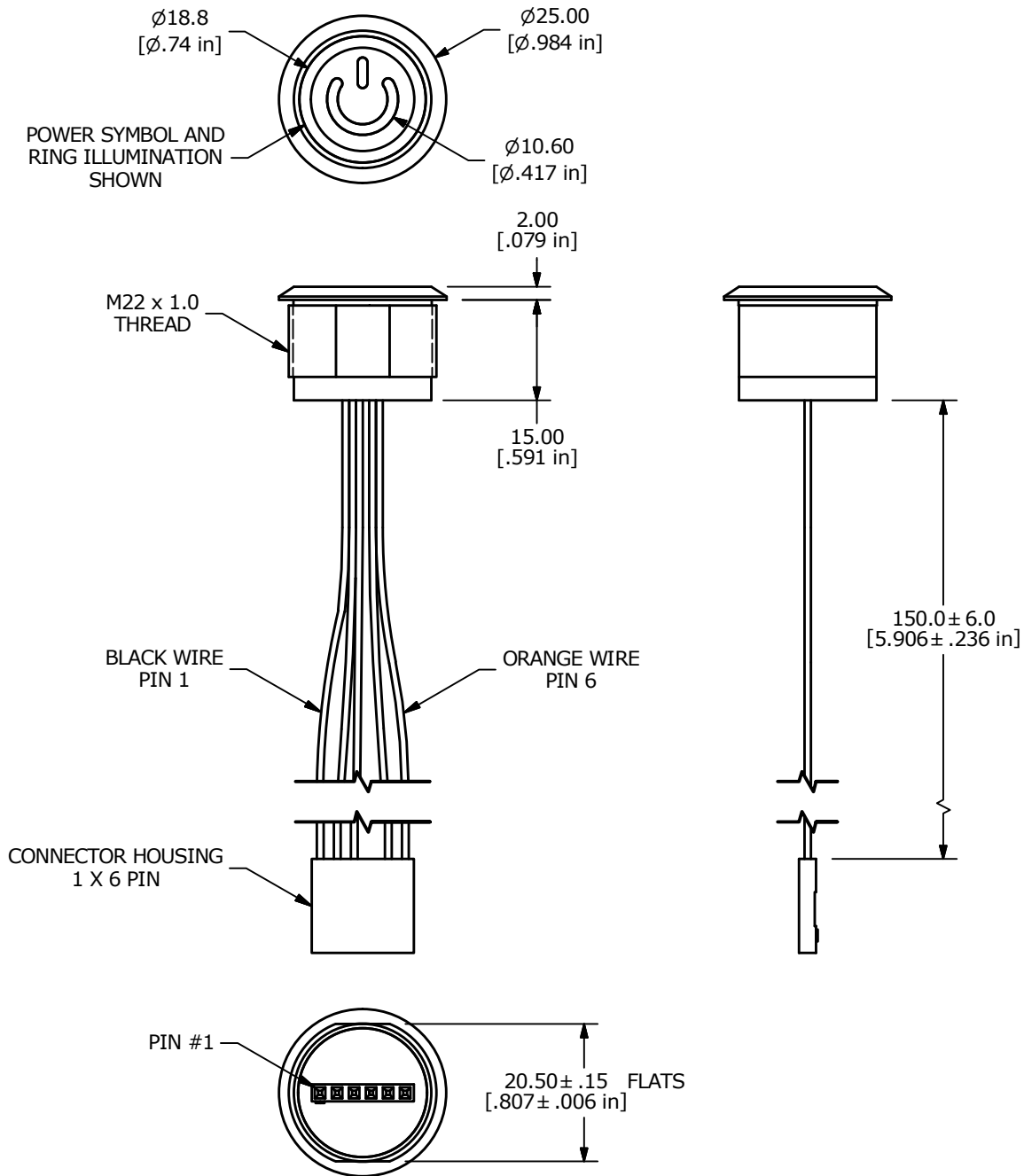
TOGGLE SWITCHES

CAP OPTIONS



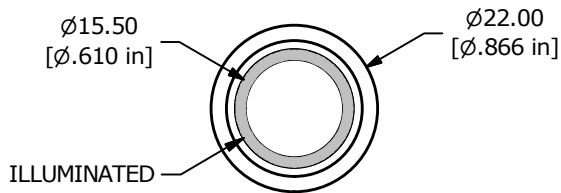
CS SERIES ANTI-VANDAL SWITCH

BODY DIMENSIONS 22MM

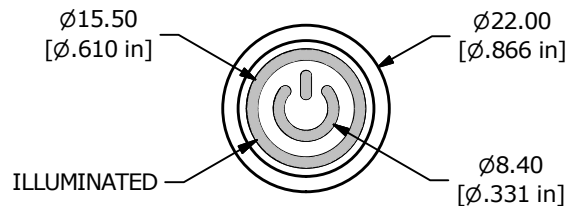


CS SERIES ANTI-VANDAL SWITCH

ILLUMINATION STYLES

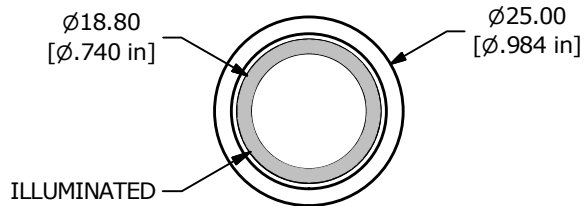


R - RING ILLUMINATION

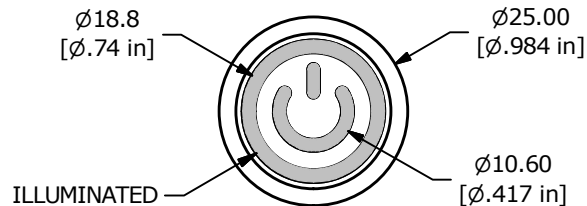


P - POWER SYMBOL &
RING ILLUMINATION

19MM



R - RING ILLUMINATION



P - POWER SYMBOL &
RING ILLUMINATION

22MM

ANTI-VANDAL
SWITCHES

DETECTOR
SWITCHES

DIP
SWITCHES

KEYLOCK
SWITCHES

NAVIGATION
SWITCHES

PUSHBUTTON
SWITCHES

ROCKER
SWITCHES

ROTARY
SWITCHES

SLIDE
SWITCHES

SNAP ACTION
SWITCHES

TACTILE
SWITCHES

TOGGLE
SWITCHES

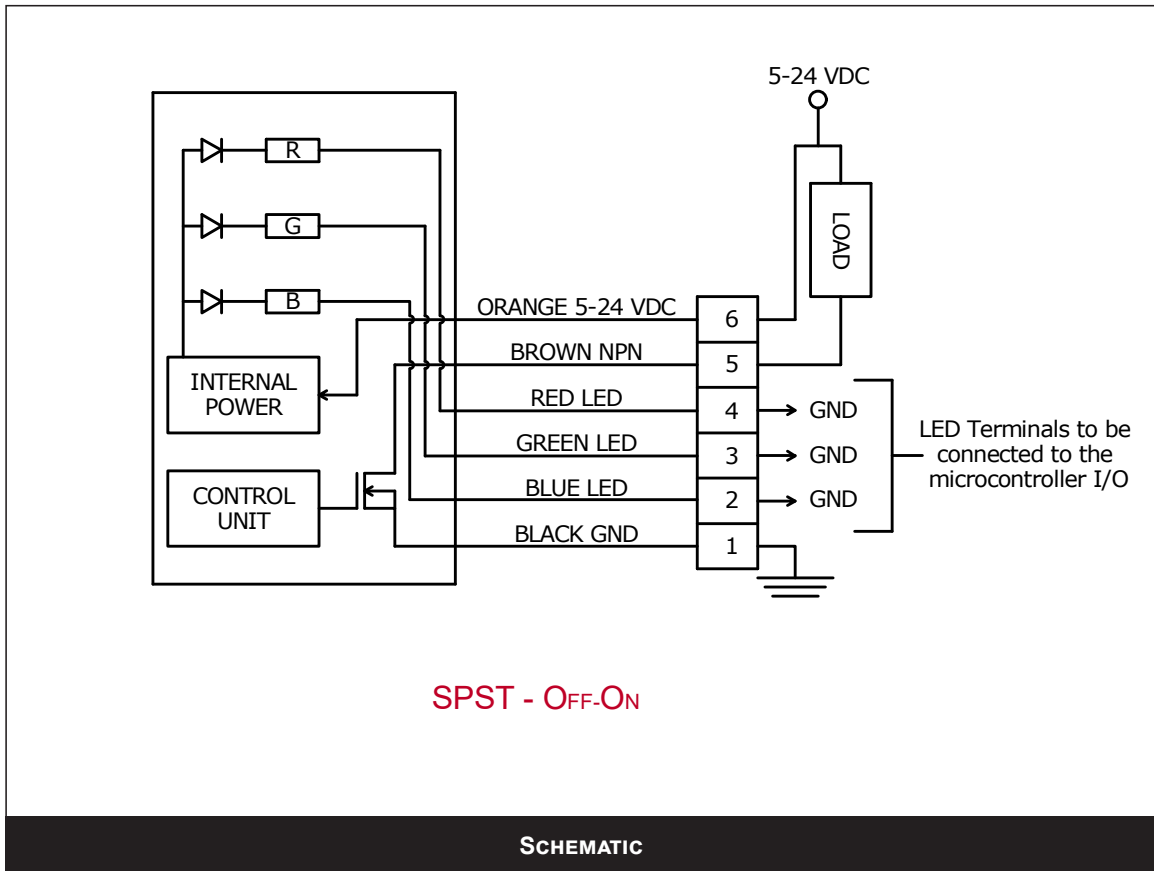
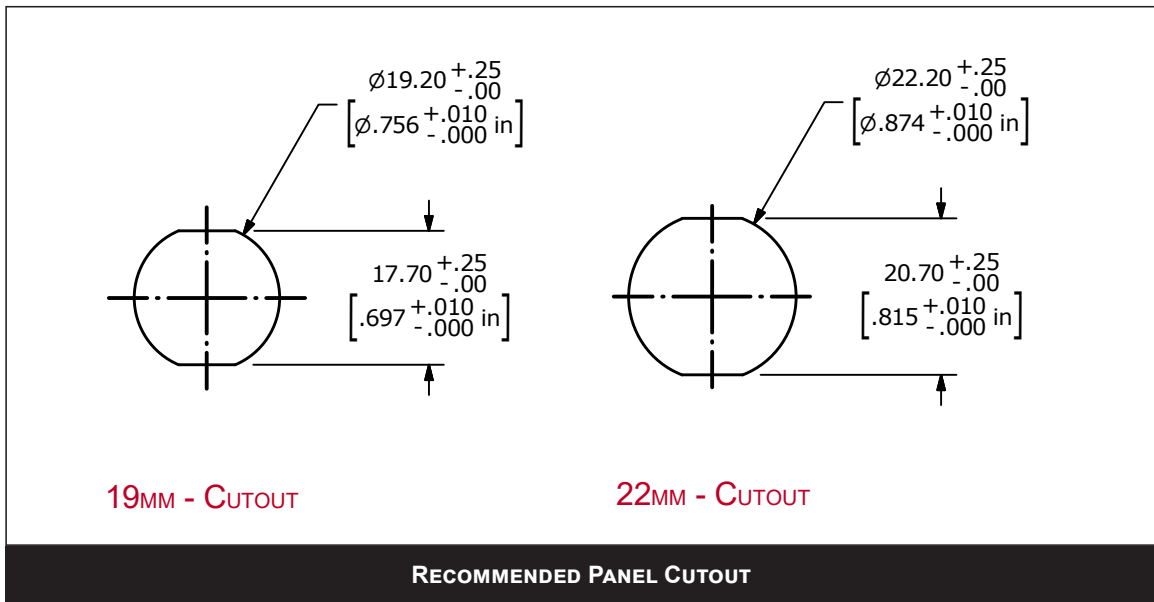
CAP
OPTIONS



CS SERIES ANTI-VANDAL SWITCH

PANEL CUTOUT & SCHEMATIC

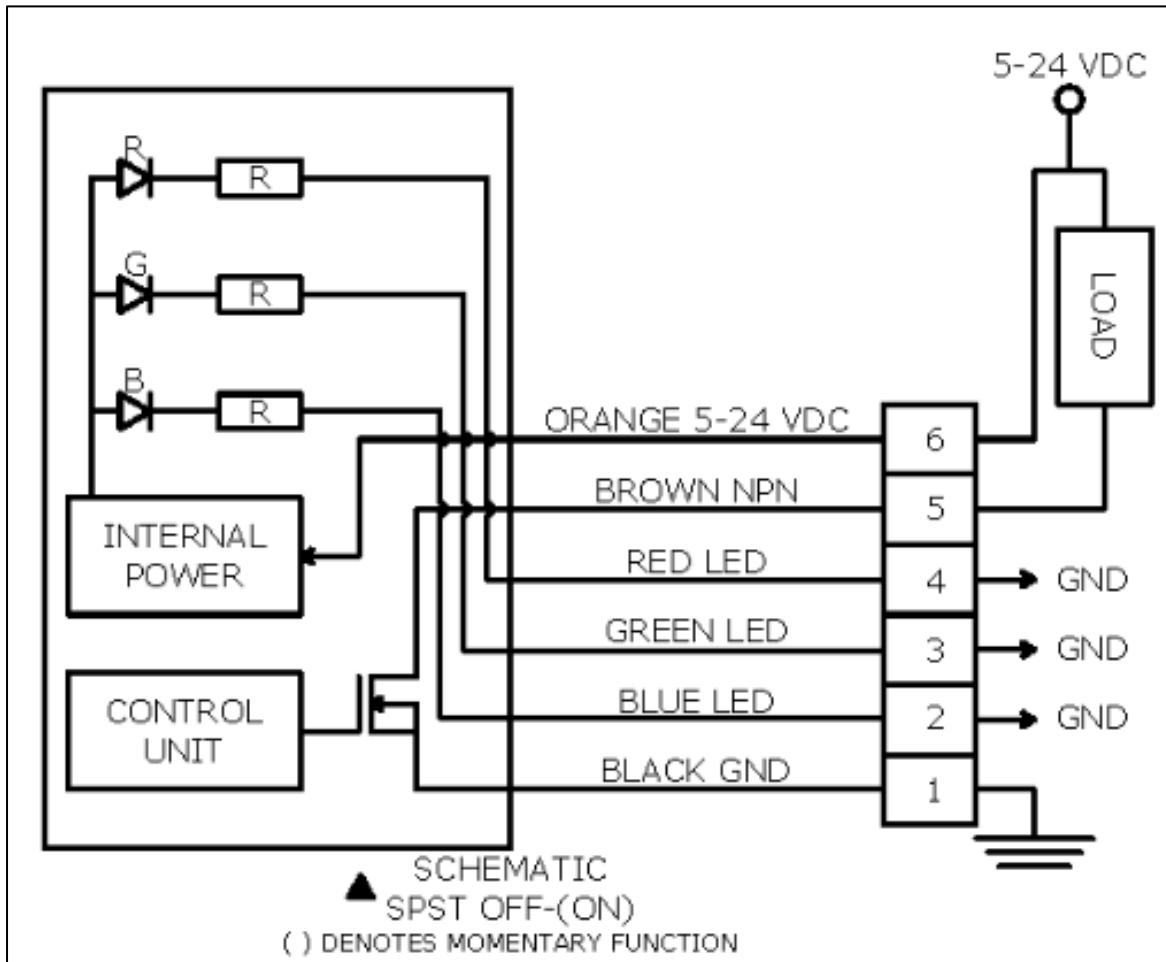
- ANTI-VANDAL SWITCHES
- DETECTOR SWITCHES
- DIP SWITCHES
- KEYLOCK SWITCHES
- NAVIGATION SWITCHES
- PUSHBUTTON SWITCHES
- ROCKER SWITCHES
- ROTARY SWITCHES
- SLIDE SWITCHES
- SNAP ACTION SWITCHES
- TACTILE SWITCHES
- TOGGLE SWITCHES
- CAP OPTIONS



CS SERIES ANTI-VANDAL SWITCH

EXAMPLE USE CASE

- Desired Outcome:
 - On State: Green LED Illuminated
 - Off State: Red LED Illuminated
- Schematic:



- Wire power (5-24VDC @ 1A) to pin 6 and ground to pin 1
- Connect NPN pin 5 of CS4M22R to an input pin of a pull-down integrated circuit (IC). This will allow the desired LED to be illuminated during the ON or OFF states
 - If pin 5 is outputting voltage, then we will have the green LED illuminated to show a running state
 - If pin 5 is not outputting voltage, then we will have the red LED illuminated to show a stopped state
- Connect red LED pin 4 of CS4M22R to an output pin of a desired IC that is also connected to NPN pin 5
- Connect green LED pin 3 of CS4M22R to an output pin of a desired IC that is also connected to NPN pin 5
- Send a high signal from the IC to the red LED when the green LED is active and pulling low. This will prevent the red from illuminating
- Send a high signal from the IC to the green LED when the red LED is active and pulling low. This will prevent the green LED from illuminating
- If power pin 6 and ground pin 1 have been wired to the switch each LED can be grounded for constant illumination if desired. This illumination will ignore the state change of the switch
- Remember to use any needed resistors to avoid damaging components



X-ON Electronics

Largest Supplier of Electrical and Electronic Components

Click to view similar products for [Pushbutton Switches](#) category:

Click to view products by [E-Switch](#) manufacturer:

Other Similar products are found below :

[8940K2012](#) [LW1L-M1C10V-A](#) [LW1L-M1C70-A](#) [LW2L-A1C20M-GD](#) [LW2L-M1C20M-A](#) [60324L](#) [M22-D-R-GB0/K11](#) [M7E-HRN2](#)
[67021K512](#) [67081K512X](#) [701PB580](#) [7190K101](#) [7199K101](#) [810K12910](#) [810KSV30B](#) [MML21EA2ADK](#) [MML21KA3ABK](#)
[MML23KA3AC05K-001](#) [MML23KW3AA01W](#) [8418K2](#) [8442K3](#) [8450K1](#) [860K11911T01A](#) [861901](#) [861K11911T01A07](#)
[861K13810T00A14](#) [861K13911](#) [8646AB6X718UL](#) [8646ABUL](#) [9001KXRK](#) [907AYY100](#) [PMHD155A1](#) [95-313.000](#)
[9533CD4+U574+U4922](#) [95-414.000](#) [99-450.837](#) [99-453.837](#) [PV3H2B0NN-341](#) [1203MRA](#) [A22NZBGANGA](#) [A22NZBMMNGA](#)
[A22NZBNANGA](#) [A22NZMPATRA](#) [A2PMA1X03EC56](#) [A3A-5123-02](#) [A3A-7140](#) [A3A-7310](#) [A3A-7340](#) [A3U-TMW-A2C-5M](#) [A595](#)