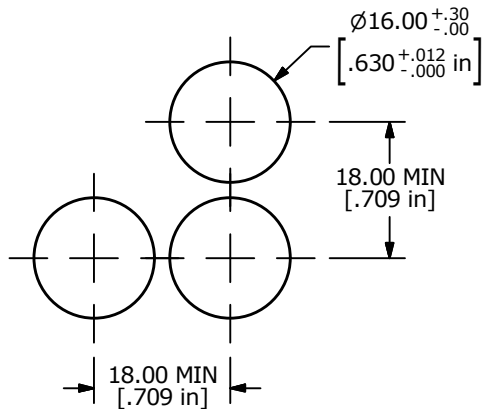
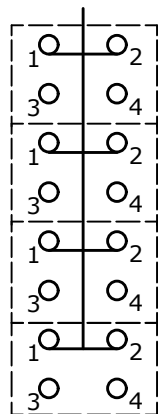


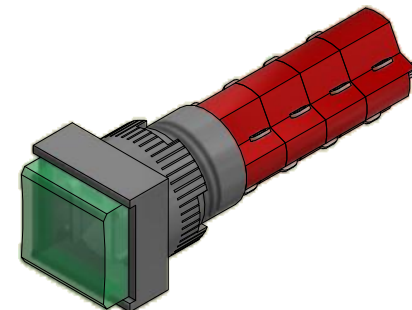
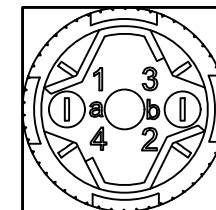
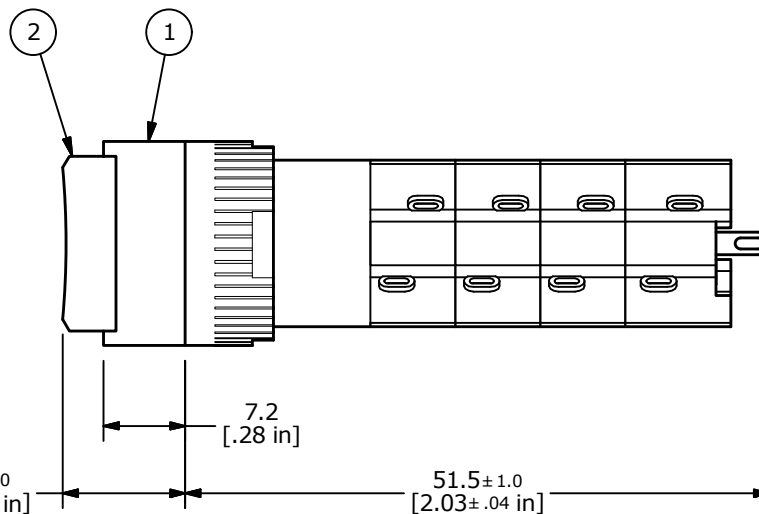
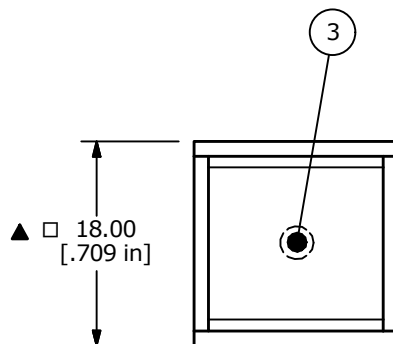
| PARTS LIST | | | | |
|------------|-----|-------------|------------------------------|--|
| ITEM | QTY | PART NUMBER | DESCRIPTION | |
| 1 | 1 | F040046 | D16EES14 | |
| 2 | 1 | F050302 | LENS, SQUARE, CONCAVE, GREEN | |
| 3 | 1 | F050419 | GREEN LED, 12VDC | |



PANEL MOUNTING
PANEL THK. 0.5mm - 5.0mm



4PDT
CONTACT CONFIGURATION



NOTE:

1. ALL DIMENSIONS IN MM [INCH].
2. GENERAL TOLERANCE: X.X = ±0.4
X.XX = ±0.25
3. TERMINAL NUMBERS FOR REF ONLY.
4. RATING: 5A @ 250 VAC, 8A @ 125 VAC
6A @ 24 VDC
5. ELECTRICAL LIFE: 50,000 OPERATIONS
6. INSULATION RESISTANCE: 1,000 MEGA-OHM MIN.
7. OPERATING TEMP.: -25°C to +55°C
- ▲ 8. LAMP VOLTAGE: 12VDC GREEN LED
9. ▲ DENOTES CRITICAL PARAMETER.
10. PACKAGE: BOX/20 PER



| | | | | |
|-----|--------|-------------------------|----------|----|
| A | 23641 | RELEASED FOR PRODUCTION | 10/29/18 | MW |
| REV | PCR NO | DESCRIPTION | DATE | BY |

| | | | | |
|-------|-----------------|----|-----|-----|
| TITLE | D16EES14JGRNGRN | | | |
| SCALE | DATE | DR | DWG | REV |

| | | | | |
|-------|------------|----|---------|---|
| 1.5:1 | 10/29/2018 | MW | XF0919P | A |
|-------|------------|----|---------|---|

THE INFORMATION CONTAINED IN THIS DOCUMENT IS PROPRIETARY TO E-SWITCH AND IS NOT TO BE COPIED OR TRANSFERRED

X-ON Electronics

Largest Supplier of Electrical and Electronic Components

Click to view similar products for [Pushbutton Switches](#) category:

Click to view products by [E-Switch](#) manufacturer:

Other Similar products are found below :

[8940K2012](#) [LW1L-M1C10V-A](#) [LW1L-M1C70-A](#) [LW2L-A1C20M-GD](#) [LW2L-M1C20M-A](#) [60324L](#) [M22-D-R-GB0/K11](#) [M7E-HRN2](#)
[67021K512](#) [67081K512X](#) [701PB580](#) [7190K101](#) [7199K101](#) [810K12910](#) [810KSV30B](#) [MML21EA2ADK](#) [MML21KA3ABK](#)
[MML23KA3AC05K-001](#) [MML23KW3AA01W](#) [8418K2](#) [8442K3](#) [8450K1](#) [860K11911T01A](#) [861901](#) [861K11911T01A07](#)
[861K13810T00A14](#) [861K13911](#) [8646AB6X718UL](#) [8646ABUL](#) [9001KXRK](#) [907AYY100](#) [PMHD155A1](#) [95-313.000](#)
[9533CD4+U574+U4922](#) [95-414.000](#) [99-450.837](#) [99-453.837](#) [PV3H2B0NN-341](#) [1203MRA](#) [A22NZBGANGA](#) [A22NZBMMNGA](#)
[A22NZBNANGA](#) [A22NZMPATRA](#) [A2PMA1X03EC56](#) [A3A-5123-02](#) [A3A-7140](#) [A3A-7310](#) [A3A-7340](#) [A3U-TMW-A2C-5M](#) [A595](#)