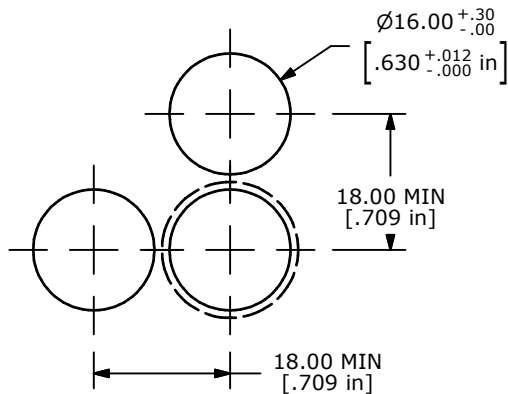
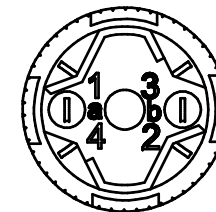
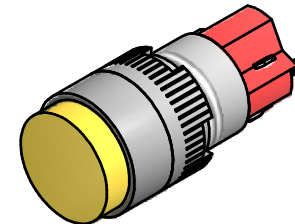
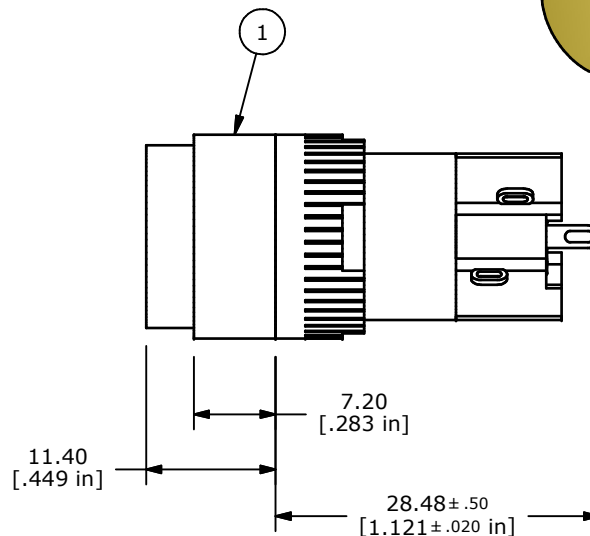
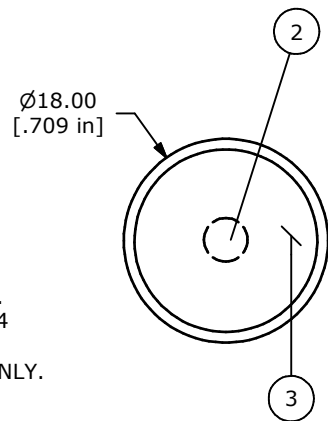
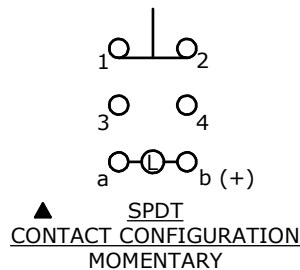


ITEM	QTY	PART NUMBER	DESCRIPTION
1	1	F040009	D16OAR11
2	1	F050424	50-004-24 24VDC YELLOW LED
3	1	F050118	50-001-16 ROUND, FLAT, OPAQUE, YELLOW LENS



PANEL MOUNTING



NOTE:

1. ALL DIMENSIONS IN MM [INCH].
2. GENERAL TOLERANCE: X.X=±0.4
X.XX=±0.25
3. TERMINAL NUMBERS FOR REF ONLY.
4. RATING: 5A @ 250VAC UL, VDE
8A @ 125VAC UL, VDE
6A @ 24VDC
0.2A @ 250VDC
5. ELECTRICAL LIFE: 50,000 MAKE-AND-BREAK CYCLES
AT FULL LOAD min.
6. INSULATION RESISTANCE: 1,000 MEGA-OHM min.
7. OPERATING TEMP.: -25°C to +55°C
- ▲ 8. LAMP VOLTAGE: 24V DC LED (YELLOW)
9. PANEL THICKNESS = 0.5mm TO 5.0 mm
10. ▲ DENOTES CRITICAL PARAMETER.
11. PACKAGE: BOX / 20 PIECES PER BOX
12. DEGREE OF PROTECTION: IP40
13. TRAVEL: 3.00 mm.
14. 2002/95/EC (ROHS) COMPLIANT.



TITLE D16OAR11KYELYEL

A	18257	RELEASED FOR PRODUCTION	9/24/08	BLR
REV	PCR NO	DESCRIPTION	DATE	BY

SCALE	DATE	DR	DWG	REV
2:1	9/24/2008	AR	XF0768P	A

THE INFORMATION CONTAINED IN THIS DOCUMENT IS PROPRIETARY TO E-SWITCH AND IS NOT TO BE COPIED OR TRANSFERRED

X-ON Electronics

Largest Supplier of Electrical and Electronic Components

Click to view similar products for [Pushbutton Switches](#) category:

Click to view products by [E-Switch](#) manufacturer:

Other Similar products are found below :

[8940K2012](#) [LW1L-M1C10V-A](#) [LW1L-M1C70-A](#) [LW2L-A1C20M-GD](#) [LW2L-M1C20M-A](#) [60324L](#) [M22-D-R-GB0/K11](#) [M7E-HRN2](#)
[67021K512](#) [67081K512X](#) [701PB580](#) [7190K101](#) [7199K101](#) [810K12910](#) [810KSV30B](#) [MML21EA2ADK](#) [MML21KA3ABK](#)
[MML23KA3AC05K-001](#) [MML23KW3AA01W](#) [8418K2](#) [8442K3](#) [8450K1](#) [860K11911T01A](#) [861901](#) [861K11911T01A07](#)
[861K13810T00A14](#) [861K13911](#) [8646AB6X718UL](#) [8646ABUL](#) [9001KXRK](#) [907AYY100](#) [PMHD155A1](#) [95-313.000](#)
[9533CD4+U574+U4922](#) [95-414.000](#) [99-450.837](#) [99-453.837](#) [PV3H2B0NN-341](#) [1203MRA](#) [A22NZBGANGA](#) [A22NZBMMNGA](#)
[A22NZBNANGA](#) [A22NZMPATRA](#) [A2PMA1X03EC56](#) [A3A-5123-02](#) [A3A-7140](#) [A3A-7310](#) [A3A-7340](#) [A3U-TMW-A2C-5M](#) [A595](#)