

EG1215 SERIES SLIDE SWITCH

ANTI-VANDAL SWITCHES
 DETECTOR SWITCHES
 DIP SWITCHES
 KEYLOCK SWITCHES
 NAVIGATION SWITCHES
 PUSHBUTTON SWITCHES
 ROCKER SWITCHES
 ROTARY SWITCHES
SLIDE SWITCHES
 SNAP ACTION SWITCHES
 TACTILE SWITCHES
 TOGGLE SWITCHES
 CAP OPTIONS



APPLICATIONS / MARKETS



Handheld Devices



Wearable Electronics



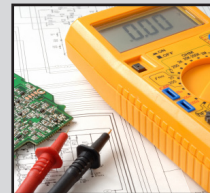
Internet of Things



Smart Home



Telecommunication



Testing Equipment

RoHS

SPECIFICATIONS

Contact Rating: 25mA @ 24VDC
Electrical Life: 10,000 Cycles
Contact Resistance: 70mΩ Max
Insulation Resistance: 1MΩ Min @ 100VDC
Dielectric Strength: 100VAC for 1 Minute
Operating Temperature: -20°C to 70°C
Storage Temperature: -40°C to 85°C
Travel: 1.50mm
Contact Arrangement: SPDT
Actuation Force: 150±100gF

FEATURES & BENEFITS

- Surface mount PC board design
- 1.50mm travel
- Compact design
- 150 gram force
- SPDT function

PART NUMBER CONFIGURATOR

Series



EG1215

Actuator
Option



A - 1.30mm

Function
Option



A - SPDT

Specifications subject to change without notice 8.2.2018



E-SWITCH®

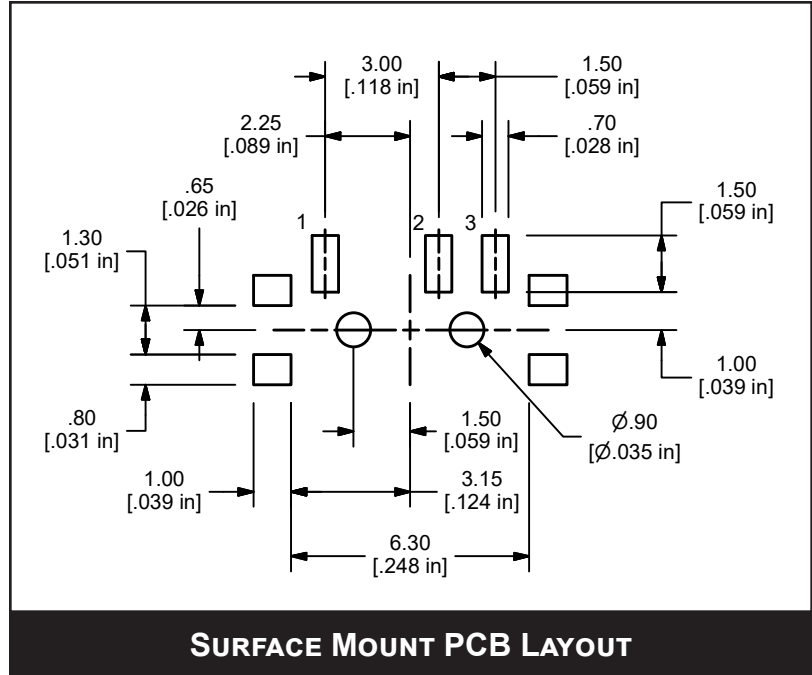
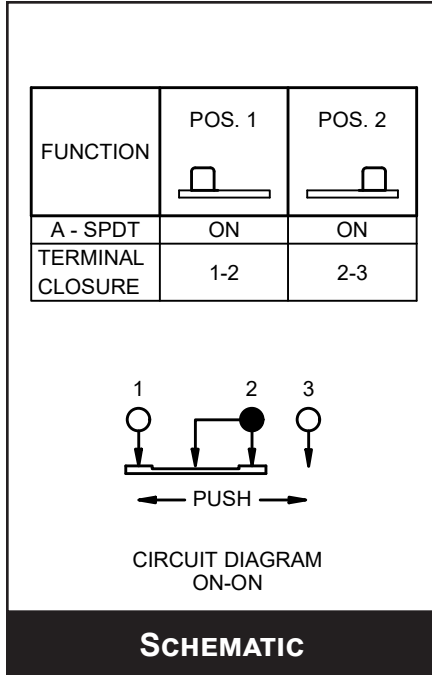
www.e-switch.com

800.867.2717

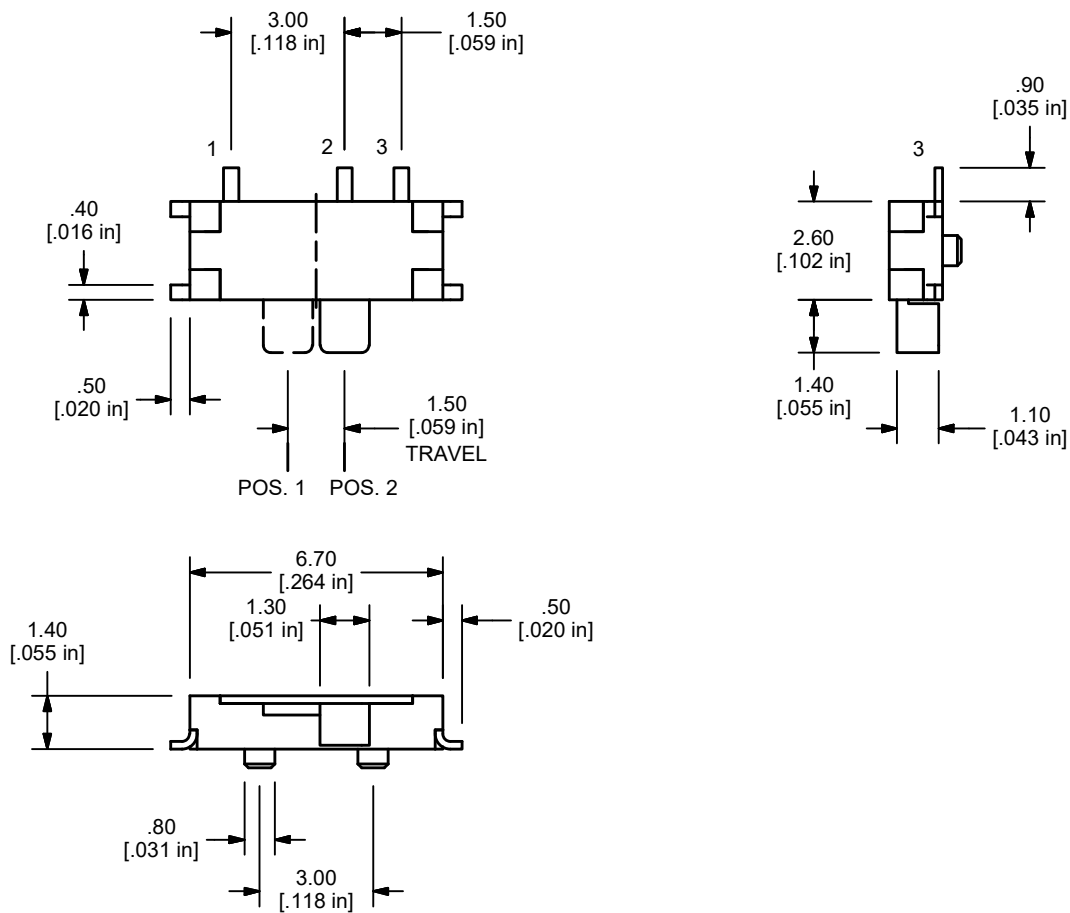
1

EG1215 SERIES SLIDE SWITCH

BODY DIMENSIONS



A - SPDT - FUNCTION OPTION



X-ON Electronics

Largest Supplier of Electrical and Electronic Components

Click to view similar products for [Slide Switches](#) category:

Click to view products by [E-Switch](#) manufacturer:

Other Similar products are found below :

[6-1437581-1](#) [M43R](#) [MHS123K15D](#) [MHS133K](#) [MHSS1104A](#) [MMD](#) [GH49S010001](#) [MSS12A](#) [EPS1PC1](#) [1825074-1](#) [1825160-3](#) [1825167-2](#)
[1825289-7](#) [K232CB](#) [25139NLDB](#) [25449NAH](#) [SLB1240R45](#) [1825078-1](#) [1825080-4](#) [1825269-1](#) [1825270-2](#) [STS141RA04](#) [T2215BEN506](#)
[GH46P000001](#) [GH46W000001](#) [GH49P010001](#) [25339NA](#) [M42A](#) [TG36P000000](#) [TG36P000050](#) [AYZ0202AG](#) [47227LFE](#) [49331L](#) [50208L](#)
[L203091MS02Q](#) [4-1437581-7](#) [X2225CR-437W](#) [49329L](#) [1101M1S3ZB8E2](#) [1-1437581-1](#) [MSS2225G04](#) [TG39W000000](#) [1825075-1](#)
[MSS42G](#) [TG36WS80065](#) [T105S1CWZBE](#) [SLB124145](#) [SLB1280R5](#) [SLB1340R45](#) [25136NLDB](#)