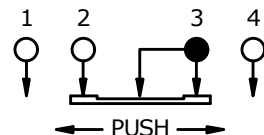
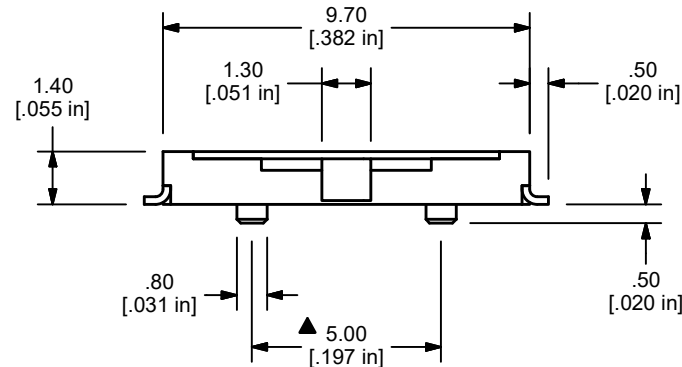
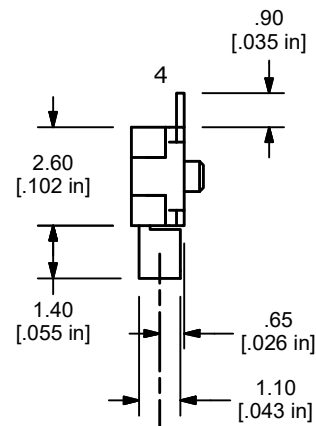
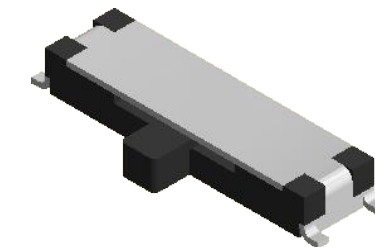
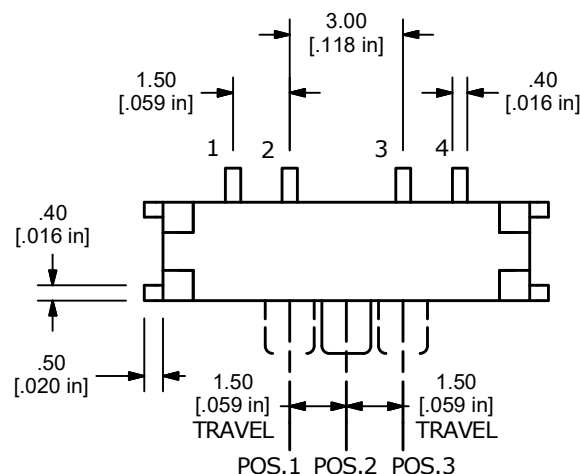


SURFACE MOUNT PCB LAYOUT

FUNCTION	POS. 1	POS. 2	POS. 3
A - SP3T	ON	ON	ON
TERMINAL CLOSURE	1-3	2-3	3-4



CIRCUIT DIAGRAM ON-ON-ON



NOTES:

1. ALL DIMENSIONS IN MM [INCH]
2. TERMINAL NUMBERS FOR REF. ONLY
3. TOLERANCE: X.X=± 0.4  
X.XX=± 0.25
4. RATING: 25mA @ 24VDC
5. TRAVEL: 1.5 ±0.2
6. OPERATING FORCE: POS.2 to POS.1 or POS.3 = 200± 150gF  
POS.3 or POS.1 to POS.2 = 150± 100gF
7. ELECTRICAL LIFE: 10,000 CYCLES MIN.
8. CONTACT RESISTANCE: 70mΩ MAX.
9. INSULATION RESISTANCE: 100MΩ AT 100 VDC
10. DIELECTRIC STRENGTH: 100VAC
11. OPERATING TEMPERATURE: -20°C to +70°C
12. ▲ DENOTES CRITICAL PARAMETER
13. 2011/65/EU (ROHS) COMPLIANT



A	23395	NEW RELEASE	6/18/18	MJR
REV	PCR NO	DESCRIPTION	DATE	BY

TITLE EG1315AA				
SCALE	DATE	DR	DWG	REV
5:1	6/18/2018	MJR	N131500	A

THE INFORMATION CONTAINED IN THIS DOCUMENT IS PROPRIETARY TO E-SWITCH AND IS NOT TO BE COPIED OR TRANSFERRED

## X-ON Electronics

Largest Supplier of Electrical and Electronic Components

*Click to view similar products for [Slide Switches](#) category:*

*Click to view products by [E-Switch](#) manufacturer:*

Other Similar products are found below :

[6-1437581-1](#) [M43R](#) [MHS123K15D](#) [MHS133K](#) [MHSS1104A](#) [MMD](#) [GH49S010001](#) [MSS12A](#) [EPS1PC1](#) [1825074-1](#) [1825160-3](#) [1825167-2](#)  
[1825289-7](#) [K232CB](#) [25139NLDB](#) [25449NAH](#) [SLB1240R45](#) [1825078-1](#) [1825080-4](#) [1825269-1](#) [1825270-2](#) [STS141RA04](#) [T2215BEN506](#)  
[GH46P000001](#) [GH46W000001](#) [GH49P010001](#) [25339NA](#) [M42A](#) [TG36P000000](#) [TG36P000050](#) [AYZ0202AG](#) [47227LFE](#) [49331L](#) [50208L](#)  
[L203091MS02Q](#) [4-1437581-7](#) [X2225CR-437W](#) [49329L](#) [1101M1S3ZB8E2](#) [1-1437581-1](#) [MSS2225G04](#) [TG39W000000](#) [1825075-1](#)  
[MSS42G](#) [TG36WS80065](#) [T105S1CWZBE](#) [SLB124145](#) [SLB1280R5](#) [SLB1340R45](#) [25136NLDB](#)